

Service Information

Mazda Motor Corporation

3-1, Shinchi, Fuchu-cho, Aki-gun
Hiroshima 730-8670, Japan
TEL : 81(82)287-5323
FAX : 81(82)287-5220



Category S	Repair Guidance	Ref. No. R018/10	Page 1 of 3
Coverage <input type="checkbox"/> Distributor only <input checked="" type="checkbox"/> Please inform your dealers		Date Issued February 19, 2010	
Please convey this information to your <input type="checkbox"/> Director <input checked="" type="checkbox"/> General Manager <input checked="" type="checkbox"/> Warranty Dept. <input checked="" type="checkbox"/> Parts Dept. <input checked="" type="checkbox"/> Training Dept. <input checked="" type="checkbox"/> Field Rep.		Date Revised	
Applicable Model RX-8 (FE/SE) with cloth-trimmed seat & manual seat lifter		Applicable Countries or Specifications Worldwide	

Subject: Driver's Seat Cushion Inclines Forward when Sitting In

DESCRIPTION

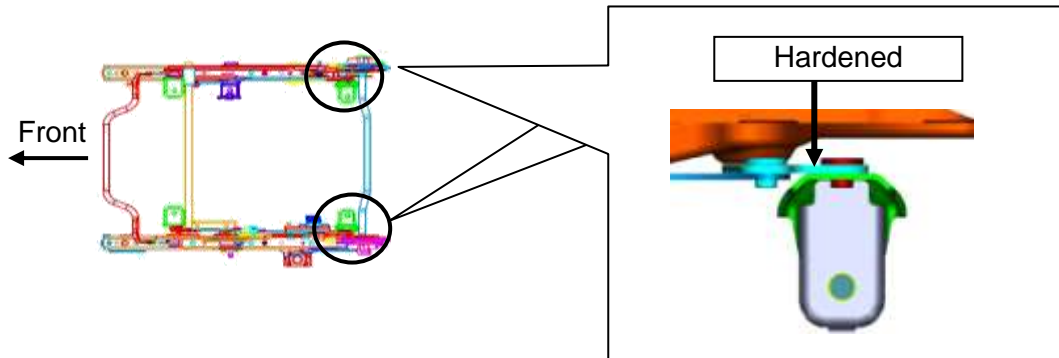
When the customer is sitting in the driver's seat with seat lifter in the full up position, some customers may experience that the driver's seat cushion gradually inclines forward.

CAUSE

Inadequate mechanical strength of seat adjuster unit rear link.

MASS PRODUCTION CHANGE

To increase the strength, seat adjuster unit rear link has been hardened.



SUBJECT VIN RANGE & DATE OF MODIFICATION

US Spec.

JM1 FE **** ** 400001 - 404477 February 1, 2010

EC Spec.

JMZ SE **** ** 300001 - 301175 February 1, 2010

ADR Spec.

JM0 FE **** ** 300001 - 300958 February 1, 2010

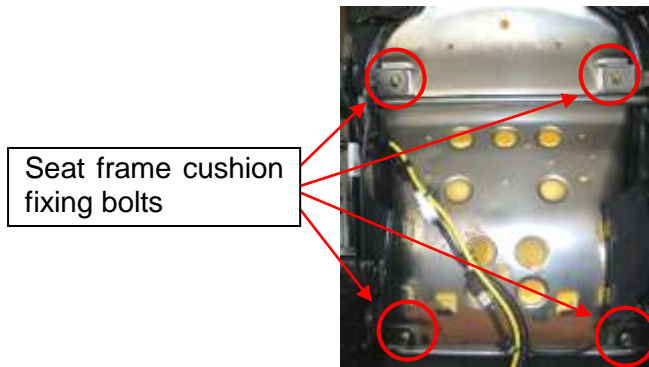
General Spec.

JMZ SE **** ** 300001 - 301175 February 1, 2010

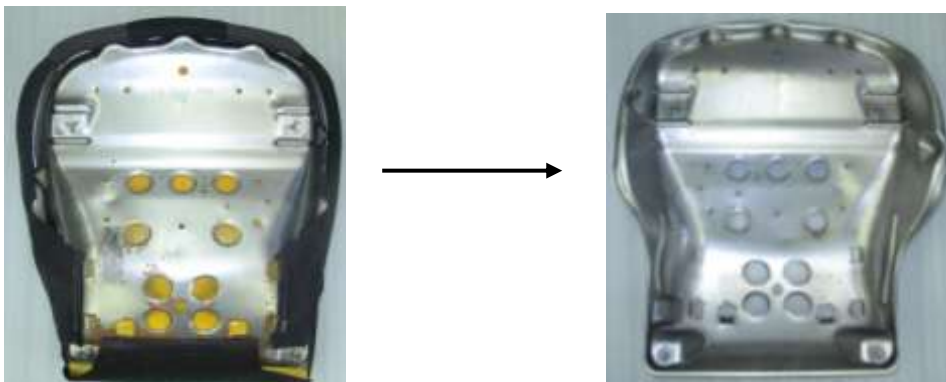
REPAIR PROCEDURE

When you encounter a customer complaint on this concern, follow the procedure below to replace the driver's seat slider adjuster and the seat cushion frame with new/modified ones.

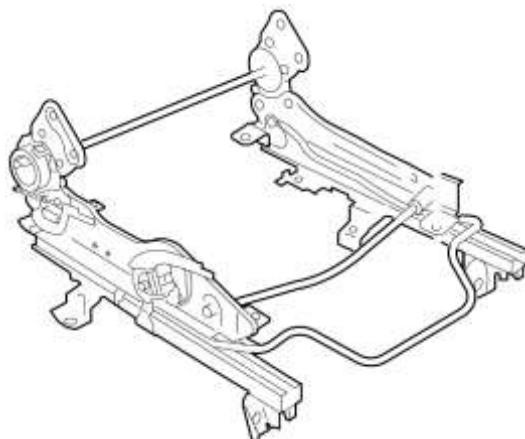
1. Remove the driver's front seat cushion pad as per Workshop Manual "FRONT SEAT CUSHION TRIM REMOVAL/INSTALLATION"
2. Remove 4 seat cushion frame fixing bolts.



3. Detach the edge of seat cushion trim from the seat cushion frame groove to remove the seat cushion frame. Then replace the seat cushion frame with a new one.



4. Remove the driver's seat back components as per Workshop Manual "FRONT SEAT BACK COMPONENT [VEHICLES WITHOUT POWER SEAT SYSTEM] REMOVAL/INSTALLATION"
5. Replace the driver's seat slide adjuster with a modified one.



6. Install in the reverse order of removal.

Parts Information

Part Number		Part Name	Q'ty	Remark
New	Old			
F190-88-H00A	F190-88-H00	Front Seat Adjuster Unit	1	ADR Spec
FF47-88-H00A	FF47-88-H00			UK Spec
FF14-88-H50A	FF14-88-H50			US Spec
FF37-88-H50A	FF37-88-H50			EC Spec
F151-88-66X		Seat cushion frame	1	LHD
F151-88-61X				RHD

WARRANTY INFORMATION

Symptom Code	89
Damage Code	9B
Causal Part No.	****-88-H**A
Q'ty	1
Operation No.	XXF12XRX
Labor Hours	0.9H
Period Covered	Normal Warranty Period

Shinji Kanai
 Manager, Technical Information Gr.
 Technical Service Dept.
 Mazda Motor Corporation
 2982614008 (MC Internal Use)