

Subject: AUXILIARY PORT VALVE (APV) REMOVAL CAUTION	Bulletin No: 01-034/11
	Last Issued: 10/19/2011

APPLICABLE MODEL(S)/VINS

2004-2008 Mazda RX-8 with High Power

2009-2011 Mazda RX-8

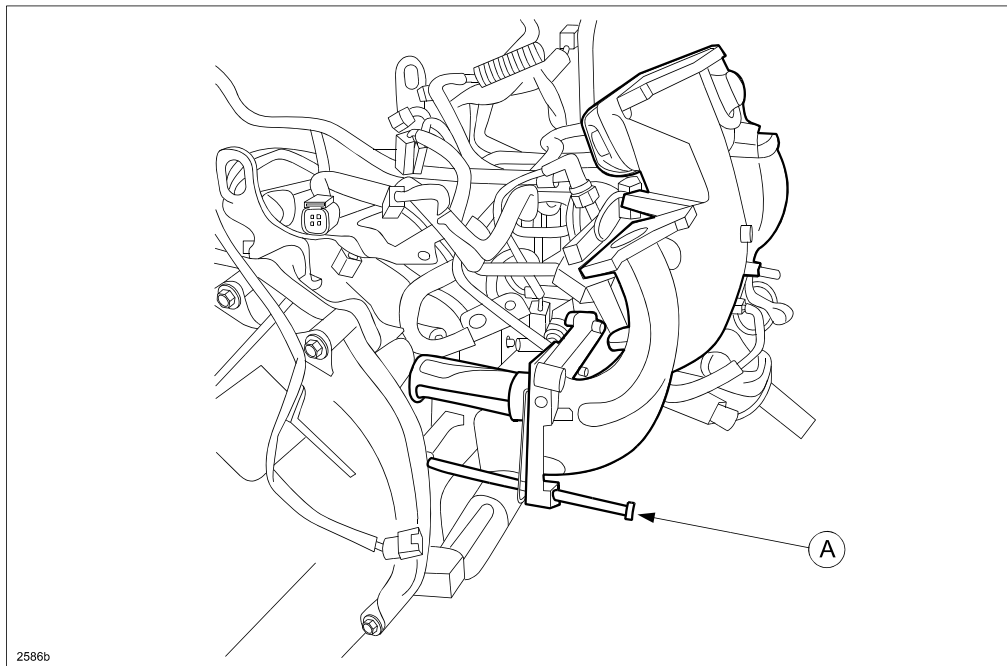
DESCRIPTION

An Auxiliary Port Valve (APV) has been established as a service part. Replacement of the Inlet Manifold (13-100) is no longer needed if the APV becomes damaged or broken during inlet manifold removal. Technicians should use care when removing APVs from the rotor housing to prevent damage.

REMOVAL PROCEDURE

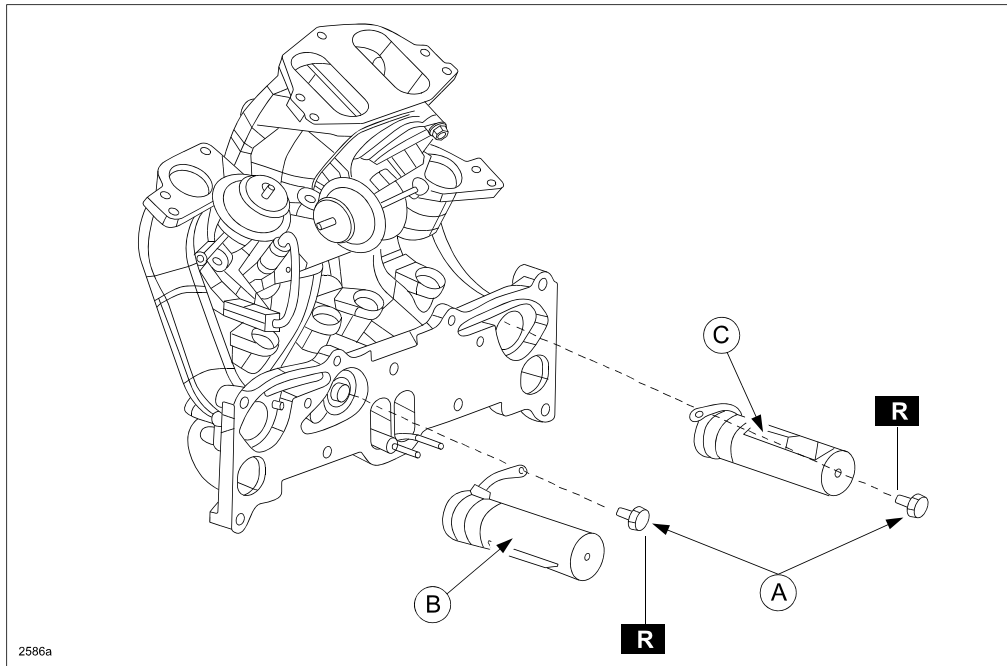
1. Remove the inlet manifold from the engine. Refer to MS3 online instructions or Workshop manual section 01-13.

NOTE: When removing the inlet manifold, use two long bolts (A) [M8 - 1.25x220 hex bolt] in both the lower outer bolt holes to help support the manifold and slide out the APVs. This will take pressure off the APV arms so they will have less chance of breaking.



- If the APV is damaged during removal, remove the APV bolts (A), then remove the front APV (B) and/or the rear APV (C) from the inlet manifold and replace with a new one.

APV bolt tightening torque: 0.9-1.2 Nm (9.2-12.0 kgf-cm, 8-10 in-lbf)



- Install the inlet manifold to the engine. Refer to MS3 online instructions or Workshop manual section 01-13.

PART(S) INFORMATION

Part Number	Description	Qty.	Notes
N3H2-13-B6X	Valve Assembly (APV) - Front	1	2004-2008 with High Power
N3H3-13-B6X	Valve Assembly (APV) - Rear	1	
N3R4-13-B6X	Valve Assembly (APV) - Front	1	2009-2011
N3R5-13-B6X	Valve Assembly (APV) - Rear	1	
N3H6-13-B65	Bolt (APV)	2	APV bolts need to be replaced.

WARRANTY INFORMATION

NOTE:

- This warranty information applies only to verified customer complaints on vehicles eligible for warranty repair.
- This repair will be covered under Mazda's New Vehicle Limited Warranty term where applicable coverage will be Powertrain or California Emissions.
- Additional diagnostic time cannot be claimed for this repair.
- **Inlet manifold assemblies will not be covered under warranty in such cases where the APV is broken or damaged during removal.**

Warranty Type	A
Symptom Code	98
Damage Code	93
Part Number Main Cause	N3H2-13B6X or N3H3-13B6X for 2004-2008 with High Power N3R4-13B6X or N3R5-13B6X for 2009-2011
Quantity	1
Operation Number / Labor Hours:	F0140RRX / 7.6 Hrs. (M/T, 2009-2011) 7.3 Hrs. (A/T, 2009-2011) 7.7 Hrs. (M/T, 2004-2008 with High Power) 7.4 Hrs. (A/T, 2004-2008 with High Power)