



Cabin Air Filter Replacement Job Aid

This job aid is a quick reference for replacing cabin air filters at suggested service intervals. Except for the Millennia and Tribute, the cabin air filter is located behind the glove box. Refer to the chart below for the service intervals, part number, and quantity of the cabin air filter(s) specific to the model and year.

Cabin Air Filter Applications / Service Intervals					
Model	Millennia	MPV	Tribute	MAZDA6	RX-8
Year	'01 – '02	'00 – '04	01 – '05	'03 – '04	'04
Service Intervals	12 mo / 12,000 mi	12 mo / 12,000 mi	12 mo / 12,000 mi	24 mo / 25,000 mi	24 mo / 25,000
OE Part #	TA05-61-J6X Aldehyde: TC93-61-J6X	LC74-61-P11* LDY4-61-J6X** Aldehyde: LDY3-61-J6X**	0000-8M-G01	GK3J-61-148	LDY4-61-J6X Aldehyde: LDY3-61-J6X
Qty	2	1	1	1	1
*MPV before VIN# LW***34845		**MPV after VIN# LW***34846			

Cabin Air Filter Replacement Job Aid

Millenia

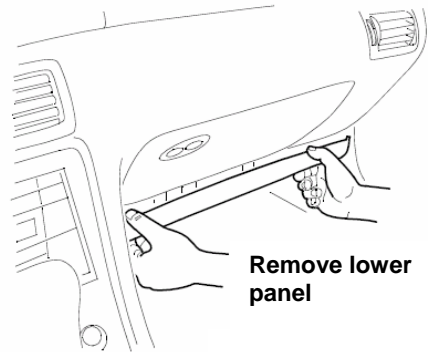
Year: 2001 - 2002

Part #: Requires 2:
TA05-61-J6X

Aldehyde:
TC93-61-J6X

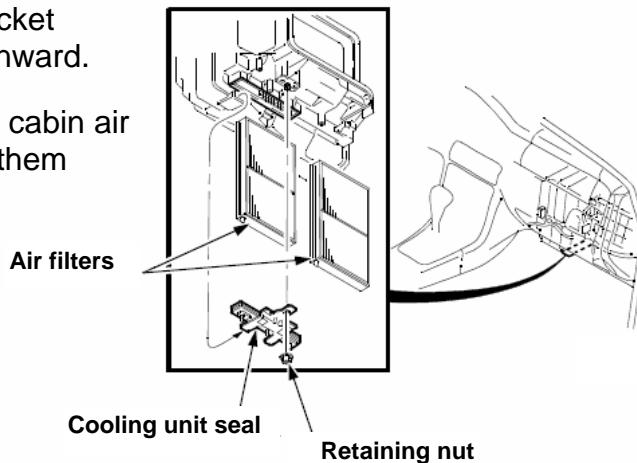
SRT: 0.3

1. Remove the lower panel by pulling it downward at both ends.
2. Remove the 10 mm nut retaining the cabin air filter bracket.



2

3. Remove the bracket by sliding it downward.
4. Remove the two cabin air filters by sliding them downward.
5. Discard the used cabin air filters.
6. Insert two new cabin air filters.
7. Reinstall the cabin air filter bracket.
8. Reinstall the lower panel.



3

Cabin Air Filter Replacement Job Aid

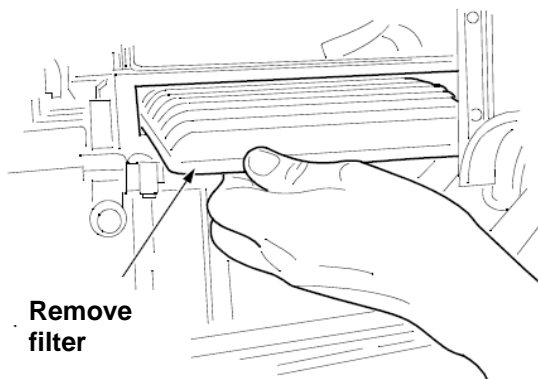
MPV

Year:	2000 - 2003	2003-2004
VIN:	Before LW***34845	After LW***34846
Part #:	LC74-61-P11	LDY4-61-J6X
		Aldehyde: LDY3-61-J6X
SRT:	0.2	0.2

1. Remove the glove box:
 - A. Push the top stops inward.
 - B. At the right side hinge, lift the clip out of its seat.
 - C. Pull the pin on the left side out towards the right side.
 - D. Slide out the glove box.

4

2. Depress the clip on the inner side of the filter cover located over the fan assembly.
3. Remove the filter cover by pulling it out of the filter housing.
4. Remove and discard the used filter.
5. Install the new filter.
6. Install the filter cover and glove box.



5

Cabin Air Filter Replacement Job Aid

Tribute

Year: 2001 - 2005

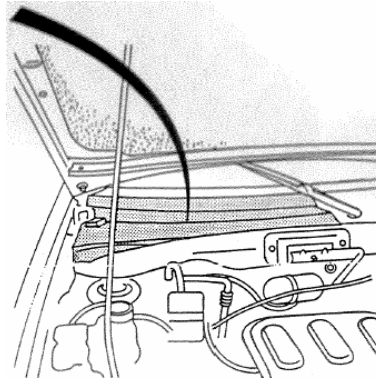
Part #: 0000-8M-G01

SRT: 0.3

Note: The cabin air filter is located under the hood, on the right side.

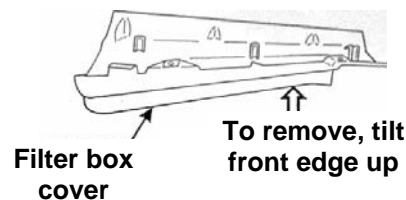
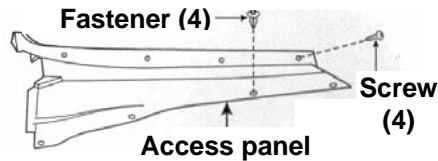
1. Turn on the ignition switch.
2. Turn on the wiper switch to low speed. When the wipers are in the vertical position, quickly switch off the ignition.

Access panel



6

3. With the hood closed, remove the four Phillips head screws at the base of the windshield on the right side.
4. Open the hood and remove the four Phillips head plastic fasteners along the forward edge of the access panel.
5. Disengage the clips and remove the cabin air filter box cover by tilting the front edge up first, then pulling it forward.
6. Discard the used filter.
7. Install the new air filter, filter box cover, and access panel.



7

Cabin Air Filter Replacement Job Aid

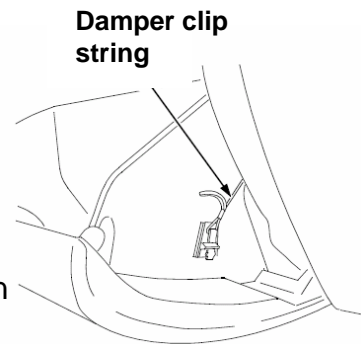
Mazda6

Year: 2003 - 2004

Part #: GK3J-61-148

SRT: 0.2

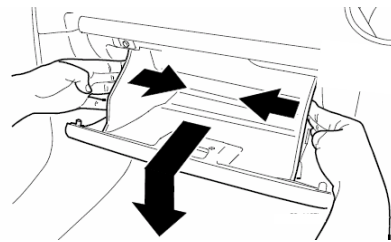
1. Open the glove box.
2. Remove the damper clip string from the right side of the glove box.
3. Press both sides of the glove box until it releases from the dash.
4. Hold the glove box in a level position (not fully lowered).



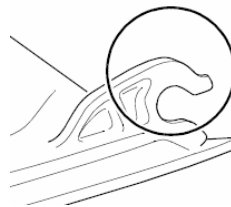
8

5. Gently pull out the glove box until the hinge releases.

CAUTION: Do not force the glove box loose, as the hinge can easily break. The hinge will not release unless the glove box is at the correct angle.



6. Remove the air filter cover.
7. Remove and discard the used air filter.
8. Insert the new air filter.
9. Install the glove box.



CAUTION: Hinge may break if glove box is forced loose

9

Cabin Air Filter Replacement Job Aid

RX-8

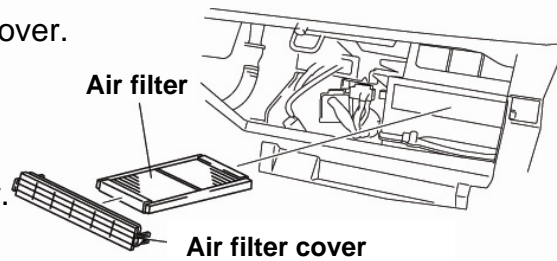
Year: 2004

Part #: LDY4-61-J6X

Aldehyde:
LDY3-61-J6X

SRT: 0.2

1. Remove the glove box.
2. Remove the air filter cover.
3. Remove and discard the used air filter.
4. Insert the new air filter.
5. Install the glove box.



10

Reap the benefits. Cabin air conditioning filters clean and purify air by:

- Catching and removing invisible particles
- Shutting out pollen, molds, and spores
- Trapping toxic substances
- Eliminating unpleasant odors
- Improving the vehicle's air conditioning and heating performance

Breathe easy. By checking and replacing the cabin air filter regularly, vehicle owners improve the quality of the car's interior air and performance.

11