

iPod CONNECTION ADAPTER

INSTALLATION INSTRUCTIONS

**Vehicle: Mazda2, Mazda3, Mazda5, Mazda6, Mazda RX-8
MX-5, CX-7, TRIBUTE, BT-50
Parts number: C236 79 CFZ**

Thank you for purchasing a genuine Mazda accessory.
Before removal and installation, be sure to thoroughly read these instructions.
Please read the contents of this booklet in order to properly install and use the iPod connection adapter.
Your safety depends on it.
Keep these instructions with your vehicle records for future reference.

Note:

- There are several **⚠WARNING** and **⚠CAUTION** sections in this booklet concerning safety when installing or removing the iPod connection adapter. Always read and follow them in order to prevent injuries, accidents, and possible damage to the vehicle.

⚠ WARNING: Indicates a situation in which serious injury or death could result if the warning is ignored.

⚠ CAUTION: Indicates a situation in which bodily injury or damage to the vehicle could result if the caution is ignored.

- Do not modify the iPod connection adapter.
- Do not install the iPod connection adapter in any way other than described in the following instructions.
- If in any doubt, please ask your Mazda dealer to install the accessory in order to prevent errors in installation.
- If you have any questions about the use of the accessory, ask your Mazda dealer for proper advice before using it.
- Mazda and its suppliers are not responsible for injuries, accidents, and damage to persons and property that arise from the failure of the dealer or installer to follow these instructions.
- To ensure safety and reliability of the work, installation, removal and disposal work by an Authorized Mazda Dealership is recommended.
- Be careful not to lose removed parts, and be sure that they are kept free from scratches, grease or other dirt.

To the dealer

Please turn over these instructions to the customer after installation.

To the customer

- Keep these instructions after installation. The instructions may be necessary for installing other optional parts or removal of this accessory.
- Should the vehicle or this accessory be resold, always leave these instructions with it for the next owner.

* iPod is a trademark of Apple Computer, Inc., registered in the United States and other countries.

GE

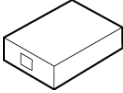




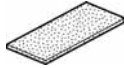
1. PARTS

PARTS LIST

NOTE:

- Before installation, verify that the kit includes all the following parts and that they are free of dirt, scratches, or damage.

● iPod CONNECTION ADAPTER (Part No. C236 79 CFZ)

Parts	Part Name	Qty	Parts	Part Name	Qty	Parts	Part Name	Qty
	iPod Connection Adapter	1		Harness (c)	1		iPod Connection Cable	1
	Tie wrap Large 300 mm Small 100 mm	L 7 S 10		Double-sided adhesive tape (44 × 118mm)	2		Pad protector (50 × 100 mm)	10

※ A separately purchased "Selector box" (TD13 79 CFZ) is necessary when installing the iPod connection adapter to vehicles equipped with an AUX terminal.

2. REQUIRED TOOLS

- ☆ Flathead screwdriver
- ☆ Socket wrench
- ☆ Pliers
- ☆ Soft cloth
- ☆ Phillips screwdriver
- ☆ Cutter knife
- ☆ Scissors
- ☆ Vinyl tape
- ☆ Fastener remover
- ☆ Mat

3. BEFORE INSTALLATION

⚠ CAUTION

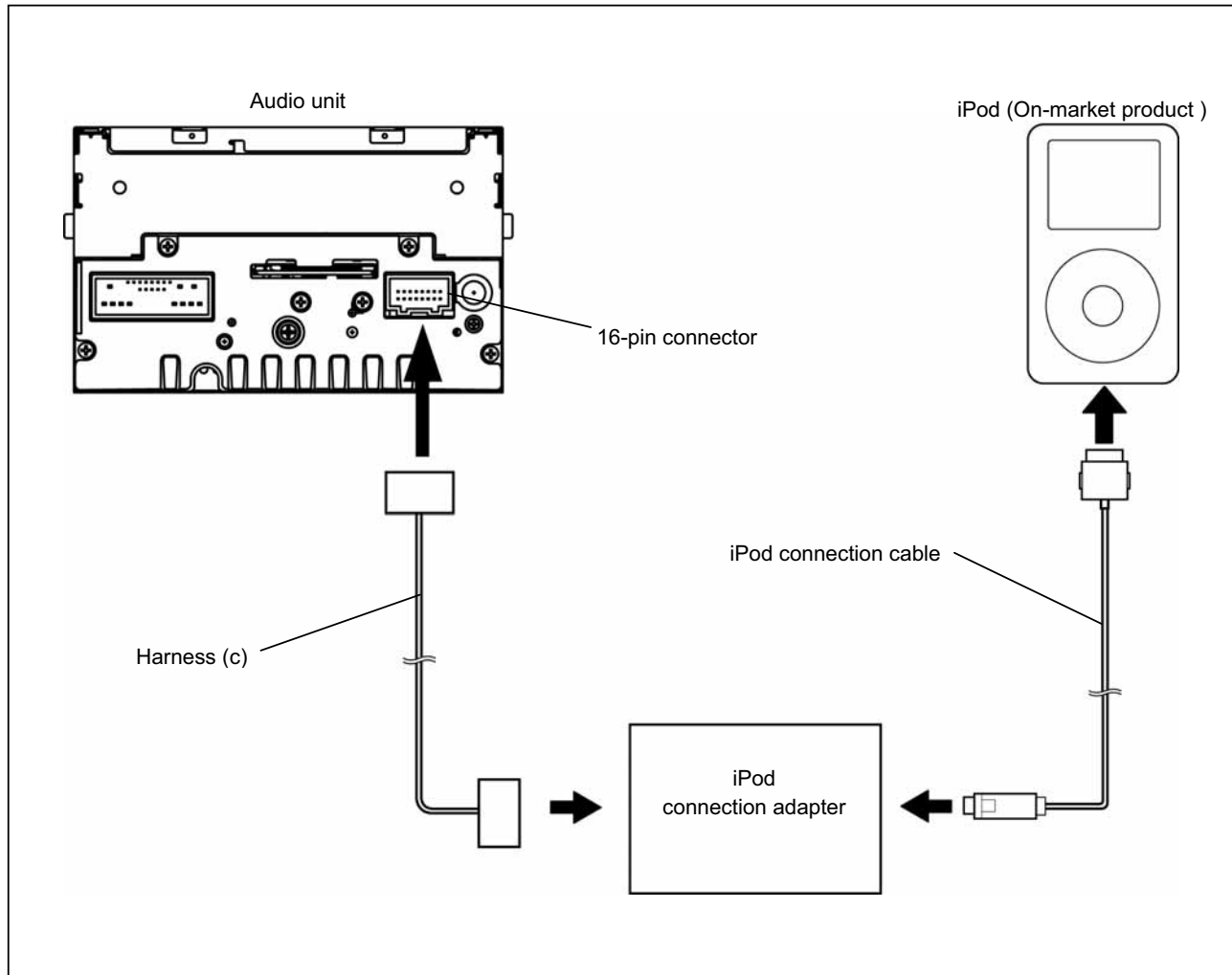
- To prevent short related accidents while performing procedures, disconnect the negative battery cable before beginning any work.
- When disconnecting the connector, hold the connector itself to remove while pressing the connector lock.
- Do not apply excessive force to the wiring harness as it could cause an open circuit.
- When locking connectors, listen for a click that will indicate they are securely locked.
- Be careful not to pinch the wiring harness. Otherwise, the wiring harness could be damaged.
- When removing and installing vehicle parts, make sure they are clean with no scratches. Also, be sure to cover the vehicle body with protectors or mats when removing/installing parts to prevent scratches and dirt.

NOTE:

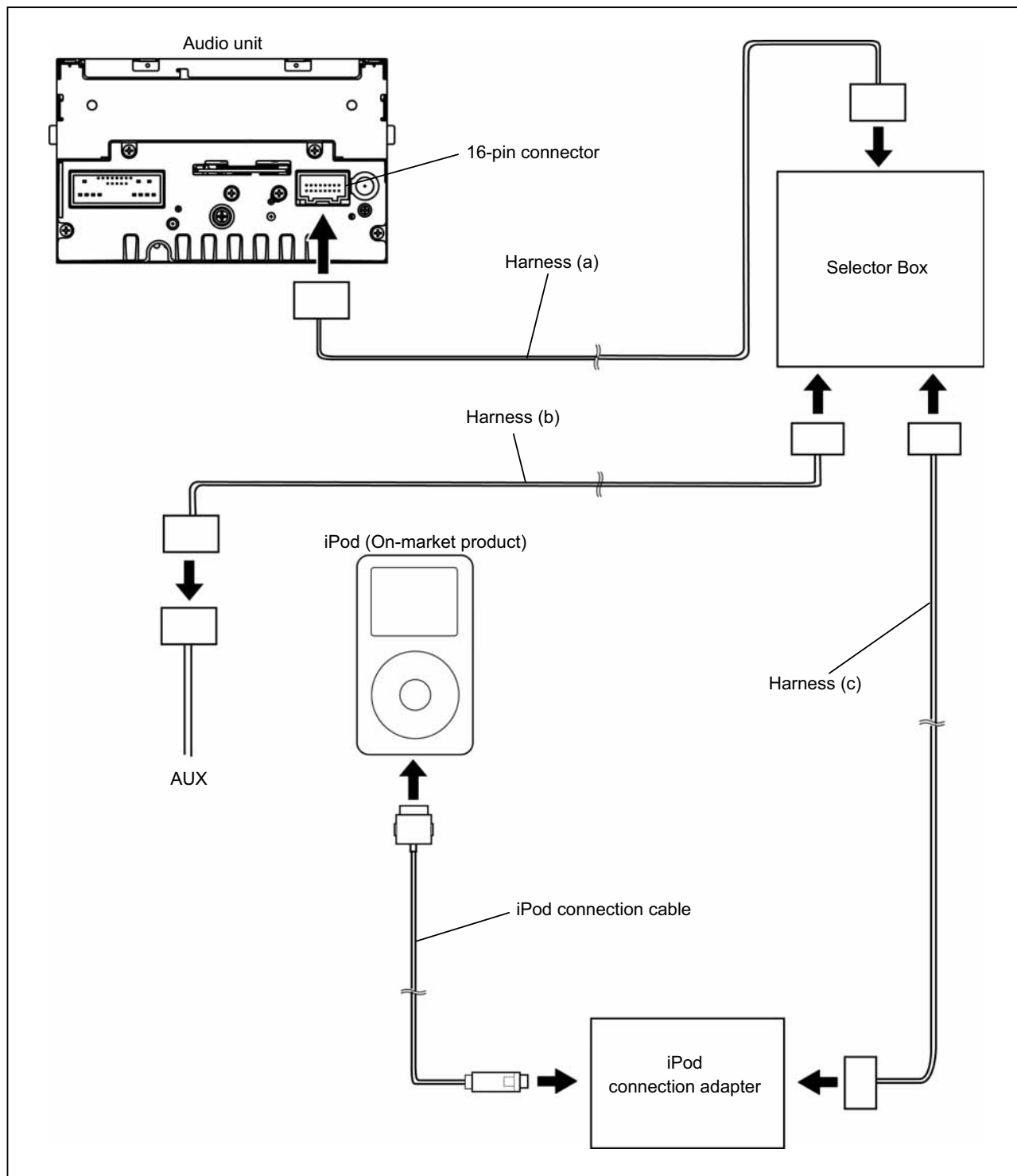
- Refer to the applicable Workshop Manual for removal and installation of vehicle parts. Not following the procedures for removal/installation in the Workshop Manual could result in an accident or vehicle malfunction.
- When the negative battery cable is removed, the clock, radio, trip meters and other memories will be erased. Before performing work, record the content of the memory.

4. CONNECTION DIAGRAM

- Installation of iPod connection adapter only <For vehicles without AUX terminal>



● **iPod connection adapter and selector box installation** <For vehicles equipped with an AUX terminal>



5. CAUTIONS ON CONNECTION

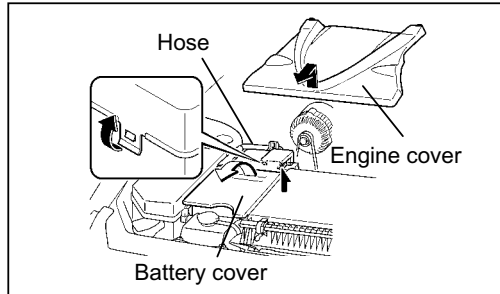
⚠ CAUTION

- When connecting a connector, be sure to insert it straight along the guide. The connector terminal may be bent if inserted at an angle.

1. VEHICLE PARTS REMOVAL

NOTE

- The procedure described here is for a right-hand drive vehicle, however, the procedure is the same for a left-hand drive vehicle.

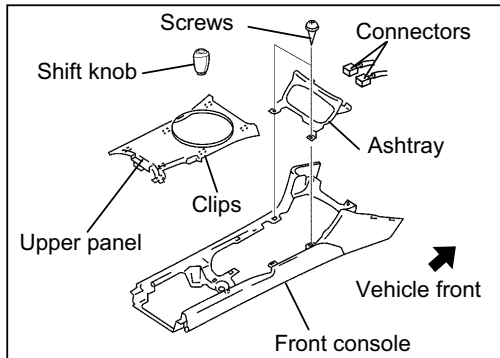


BATTERY COVER REMOVAL

1. Remove the engine cover.
2. Remove the hose from the battery cover.
3. Remove the battery cover by lifting up from the rear.

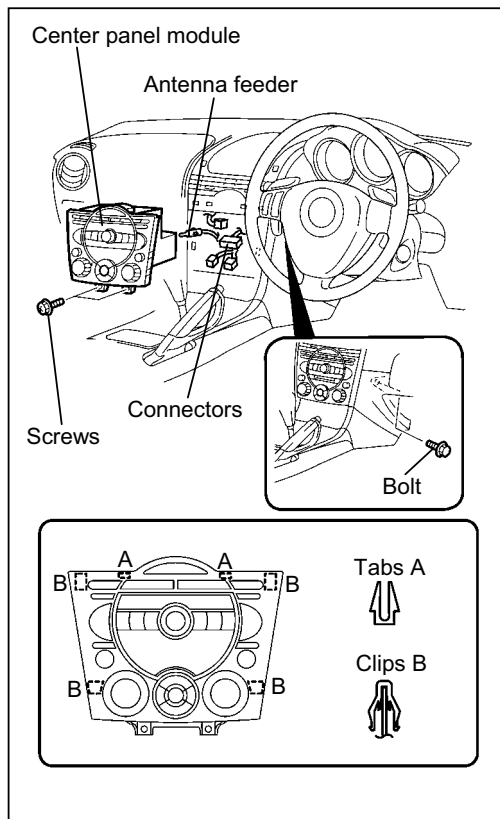
⚠ WARNING

- A short circuit while performing work may cause damage to parts, electric shock or other injury. Be sure to disconnect the negative battery cable and do not allow the terminal to contact any other parts.



UPPER PANEL AND ASHTRAY REMOVAL

1. Remove the shift knob.
2. Disengage the upper panel clips (6) using a tape-wrapped flathead screwdriver, and remove the upper panel from the front console.
3. Remove the ashtray screws (2).
4. Disconnect the connector and remove the assist tray from the front console.



CENTER PANEL MODULE REMOVAL

⚠ CAUTION

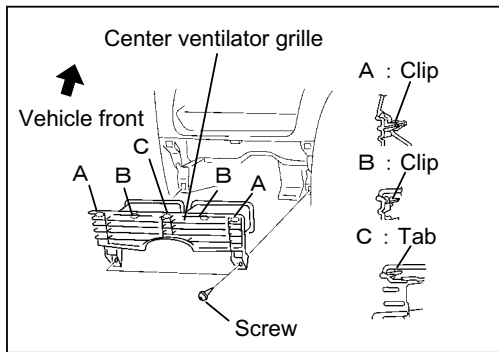
- Always wear gloves when working to protect the special paint treatment of the center panel module.
- If the painted surface becomes dirty, use a soft cloth to wipe it clean.

1. Remove the bolt (1) from the location shown in the figure.
2. Remove the screws (2) from the underside of the center panel module.
3. Pull the center panel module forward to disengage tabs A (2) and clips B (4).
4. Disconnect the connectors and antenna feeder, then remove the center panel module.

NOTE

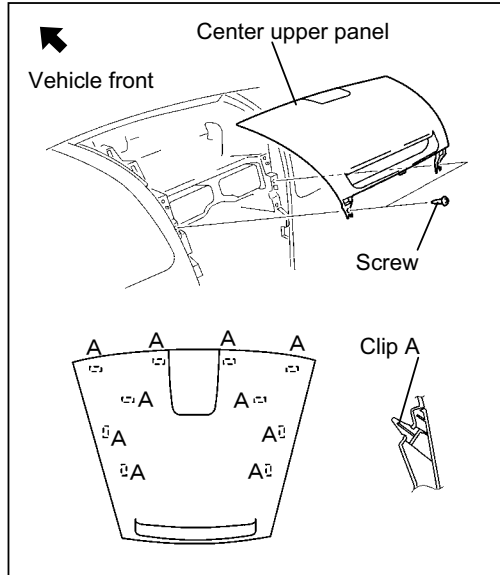
- Remove the connectors and antenna feeder after removing the center ventilator grille.

■ Installation instructions (For Mazda RX-8 only)



CENTER VENTILATOR GRILLE REMOVAL

1. Remove the center ventilator grille screws (2).
2. Pull the center ventilator grille outward and disengage the clips A (2) and clips B (2).
3. Remove tab C, then remove the center ventilator grille.



CENTER UPPER PANEL REMOVAL

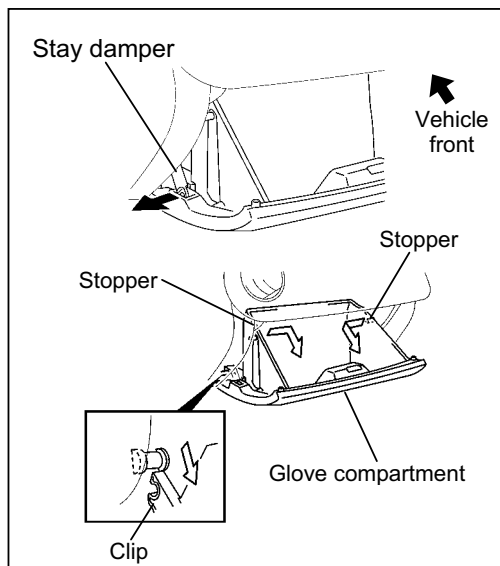
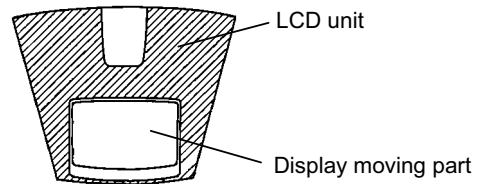
1. Remove the screws (2).
2. Pull the center upper panel outward, disengage clips A (10 locations), and then remove the center upper panel.

LCD UNIT REMOVAL (Vehicles with car navigation system only)

1. Remove the screws (2).
2. Pull the LCD unit outward, disengage clips A (8 locations), and then detach the LCD unit.
3. Disconnect the connector and remove the LCD unit.

CAUTION

- Handle the LCD unit carefully. If you apply too much stress or shock to the moving part of the display, the internal gears for opening/closing the display could become misaligned causing them to malfunction.



Glove compartment removal

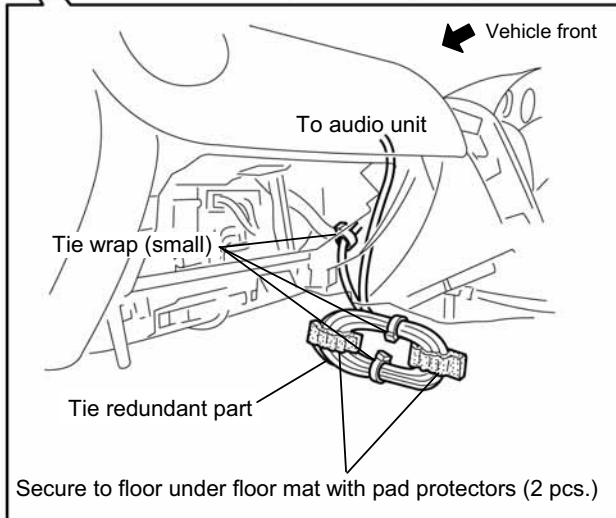
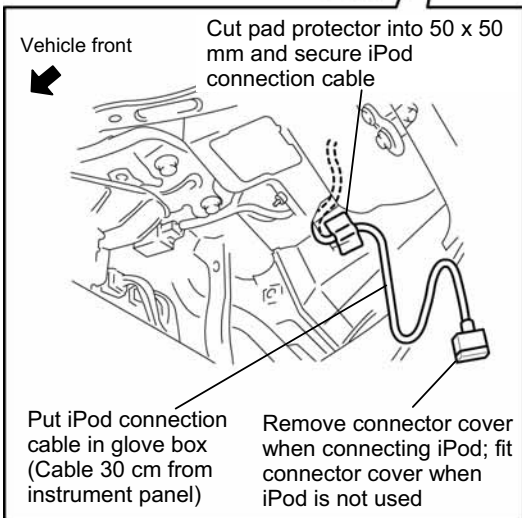
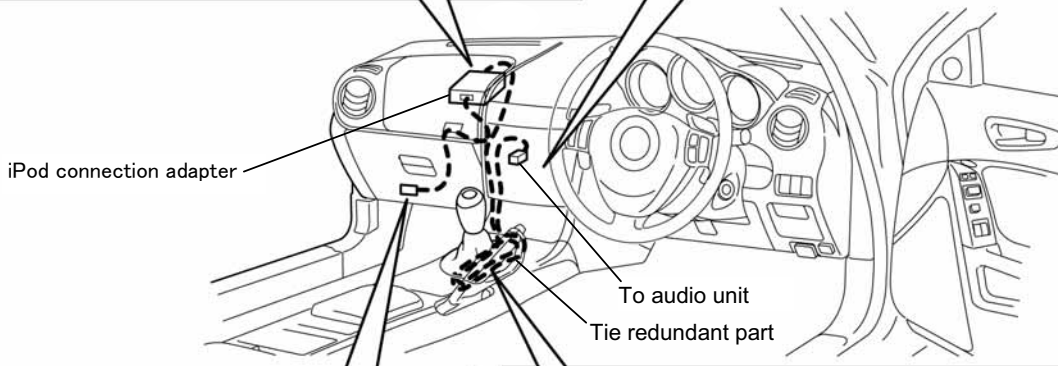
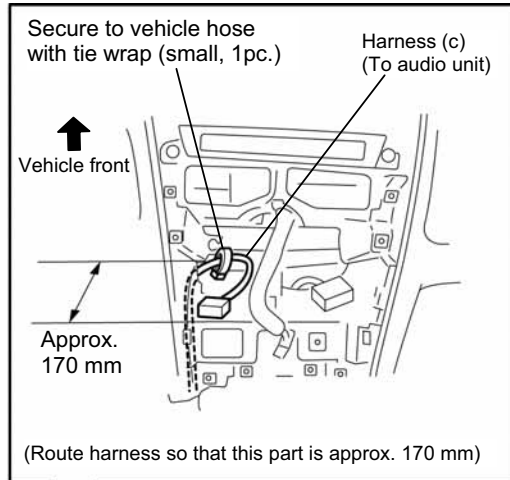
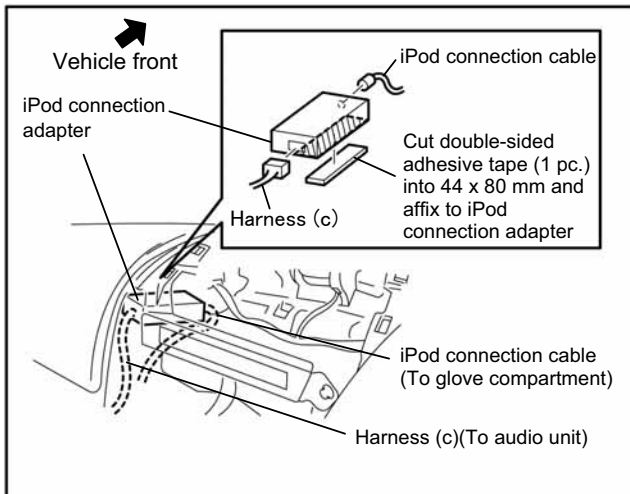
1. Pull the stay damper in the direction shown in the figure, and detach the connecting part between the glove compartment and stay damper.
2. Press the stoppers in and removal them.
3. Lower the glove compartment.
4. Detach the clips from the dashboard and remove the glove compartment.

2. INSTALLATION AND WIRING

WIRING <Installation of iPod connection adapter only>

⚠ CAUTION

- To prevent an open or short circuit in the wiring of the iPod connection adapter, be sure to route cables avoiding sharp edges and burrs on the vehicle's sheet metal.
- To ensure proper adhesion, be sure to degrease the area where the double-sided adhesive tape is to be adhered.
- After fixing a cable with a tie wrap, cut off excess tie wrap using nippers. Otherwise it may interfere with other parts causing malfunction or noise.



- Installation instructions (For Mazda RX-8 only)

3. CONNECTION CHECK

- Connect the negative battery cable and verify that all the functions operate while referring to the applicable Owner's Manual.

CAUTION

- Disconnecting the battery causes the DSC indicator light to become inoperable.
(At this point, the DSC OFF indicator light flashes and the TCS/DSC indicator light is illuminated.)
- To restore the DSC to an operable condition, perform the following procedures:
 1. Turn the ignition switch to the ON position.
 2. Turn the steering wheel completely to the right and then completely to the left.
 3. Verify that the DSC OFF indicator light turns off.
 4. Turn the ignition switch off and then turn it to the ON position again.
 5. Verify that the TCS/DSC indicator light turns off.
If the TCS/DSC or DSC OFF indicator lights do not turn off after turning the ignition switch is turned to the ON position, consult your Mazda dealer.
- If the battery is disconnected, the automatic full open/close feature of the power window is disabled. This feature can be recovered using the following procedure.
 1. Turn the ignition switch to the ON position.
 2. Hold down the power window switch until the window is fully open.
 3. Pull up the power window switch to close the window and continue to pull it up for about two seconds after it is fully closed.
 4. If the feature does not function even after the ignition switch is turned off, contact an Authorized Mazda Dealer.