





GENUINE REAR UNDER SPOILER

INSTALLATION AND USER'S INSTRUCTIONS

Thank you for purchasing a genuine Mazda accessory.
Before removal and installation, be sure to thoroughly read these instructions.
Please read the contents of this booklet in order to properly install and use the rear under spoiler. Your safety depends on it.
Keep these instructions with your vehicle records for future reference.

WARNING

- There are several  **WARNING** and  **CAUTION** sections in this booklet concerning safely when installing or removing the rear under spoiler. Always read and follow them in order to prevent injuries, accidents, and possible damage to the vehicle.
 -  **WARNING:** Indicates a situation in which serious injury or death could result if the warning is ignored.
 -  **CAUTION:** Indicates a situation in which bodily injury or damage to the vehicle could result if the caution is ignored.
- Do not modify the rear under spoiler.
- Do not install the rear under spoiler in any way other than described in the following instructions.
- If in any doubt, please ask your Mazda dealer to install the accessory in order to prevent errors in installation.
- If you have any questions about the use of the accessory, ask your Mazda dealer for proper advice before using it.
- Mazda and its suppliers are not responsible for injuries, accidents, and damage to persons and property that arise from the failure of the dealer or installer to follow these instructions.
- To ensure safety and reliability of the work, installation, removal and disposal work must be carried out by an Authorized Mazda Dealership.
- Be careful not to lose removed parts, and be sure that they are kept free from scratches, grease or other dirt.

PART NAME: REAR UNDER SPOILER
PART NUMBER: QSEA 50 360
VEHICLE: Mazda RX-8

NOTE

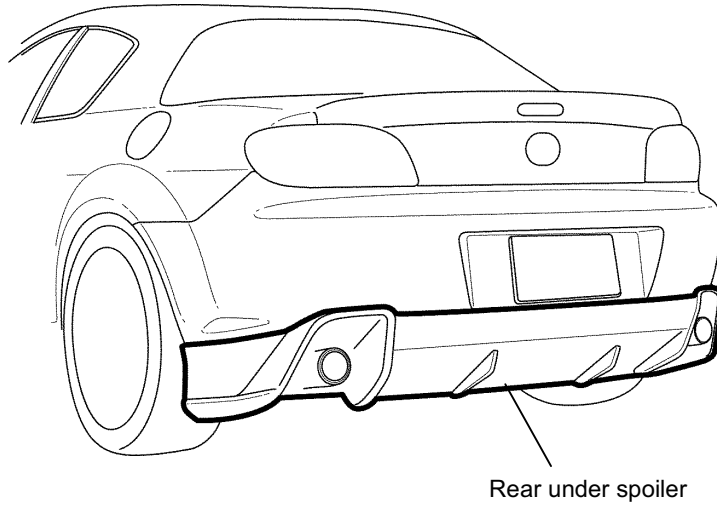
To the dealer

- Please turn over these instructions to the customer after installation.

To the customer

- Keep these instructions after installation. The instructions may be necessary for installing other optional parts or removal of this accessory.
- Should the vehicle or this accessory be resold, always leave these instructions with it for the next owner.

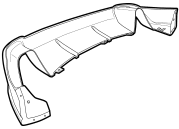

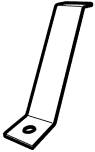

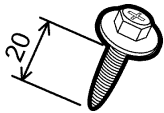

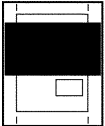

1 INSTALLATION VIEW



2 PARTS

Note

- Verify that the kit includes all the following parts and that they are free of dirt, scratches, or damage.

Part	Part name	Spec	Qty.	Part	Part name	Spec	Qty.
	Rear under spoiler	Corresponds to body color	1		Bracket A	Small bracket green coating	1
	Bracket B	Large bracket green coating	2		Speed nut		2
	Screw	M4	2		Fastener	Plastic fastener NF8	8
	Pack primer	3M Mfg K-500	1		Installation and user's instructions	Paper	1

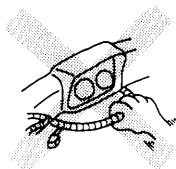

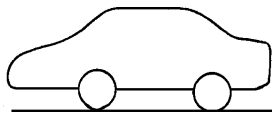
3

BEFORE INSTALLATION

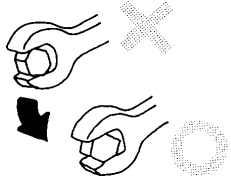
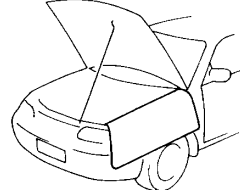
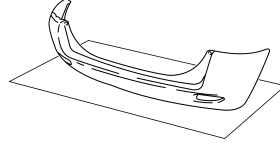
REQUIRED TOOLS

- ★IPA (Isopropyl alcohol)
- ★Oil base pen
- ★Clean rag
- ★Ruler
- ★File
- ★Phillips screwdriver
- ★Fastener remover
- ★Masking tape
- ★Hacksaw

WARNING

<p>Do not apply excessive force to the wiring harness. Otherwise a fire, electrical shock, or other accident may occur due to an open or short circuit.</p>	<p>When connecting/disconnecting connectors, grasp the connectors, not the wires. Otherwise a fire or other accident may occur due to an open circuit or poor contact.</p>	<p>Before performing work, park the vehicle on level ground, apply the side brake securely, and then block the wheels.</p>
		

CAUTION

<p>Use the most appropriate (size, use) tool for each task. Otherwise the parts may be damaged.</p>	<p>Be sure to cover the vehicle body with protectors or mats when removing/installing parts. Otherwise, the vehicle may be scratched or become dirty.</p>	<p>Place the removed parts and the parts in the kit on a protective sheet to prevent scratches.</p>
		

CAUTION

- Be sure to perform the installation work with two or more people.

WARNING

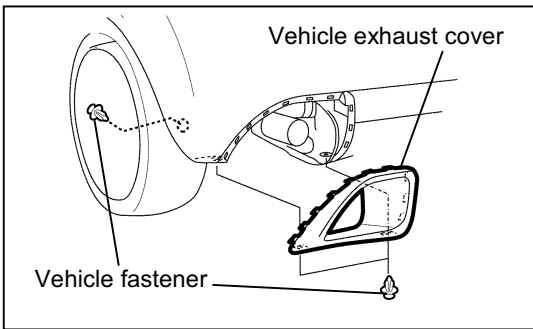
- Refer to the Workshop Manual for removal and installation of vehicle parts. Not following the procedures for removal/installation in the Workshop Manual could result in an accident or vehicle malfunction.

Note

- When the negative battery cable is removed, the memory for the clock, radio, trip meters and other units will be cleared. Before performing work, record the memory content of each unit.

4

VEHICLE PARTS REMOVAL

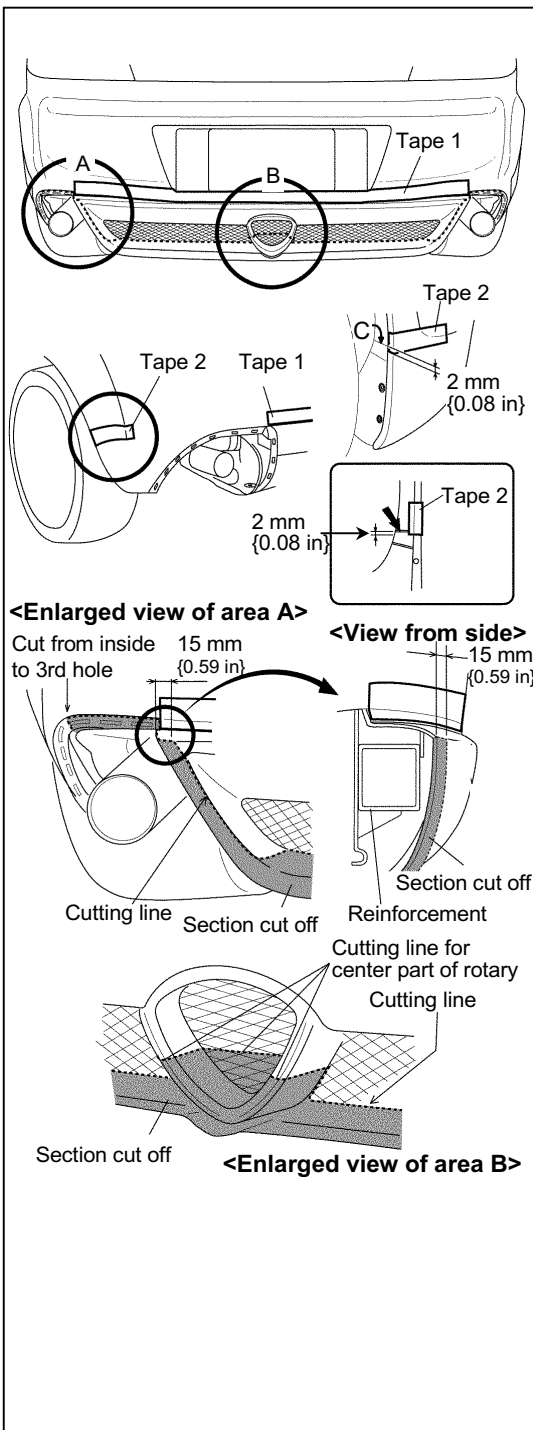


Vehicle exhaust cover removal

1. Remove the vehicle exhaust cover.

Note

- The figure shows the left side, however, perform the same procedure for the right side.



Cutting bottom area of rear bumper

1. Clean the area around the rear bumper and adhere the masking tape (tape 1, tape 2) shown in the figure. Adhere the tape 2 2 mm {0.08 in} below the C line.
2. Mark the cutting line at the positions shown in the figure using an oil base pen.
3. Saw the marked line using a hacksaw. After cutting off the bumper, file the cutting surface using a file to remove burrs.

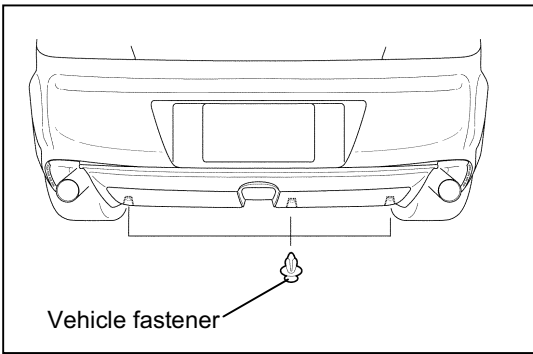
⚠ WARNING

- Be careful when using the hacksaw. If the hacksaw is not used correctly, it could result in serious injuries.

⚠ CAUTION

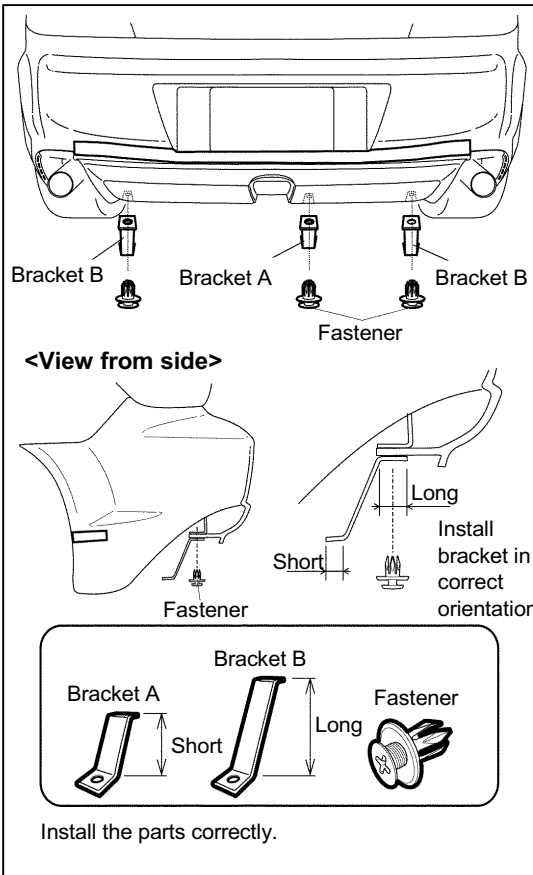
- Be careful when cutting as there is reinforcement behind the bumper.
- When cutting off the rear bumper, be careful not to scratch or damage it, or other vehicle parts connected to the rear bumper.
- Never cut outside of the established cutting line. Otherwise correct installation of the accessory part may not be possible.
- After cutting off the bumper, file the cutting surface using a file to remove burrs.

5 REAR UNDER SPOILER INSTALLATION



Bracket installation

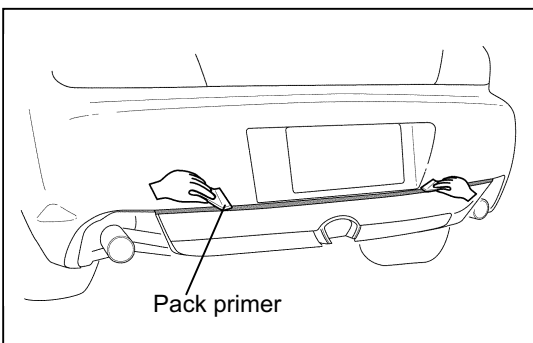
1. Remove the 3 fasteners securing the rear bumper.



2. Secure bracket A and brackets B to the rear bumper in the positions shown in the figure with the fasteners.

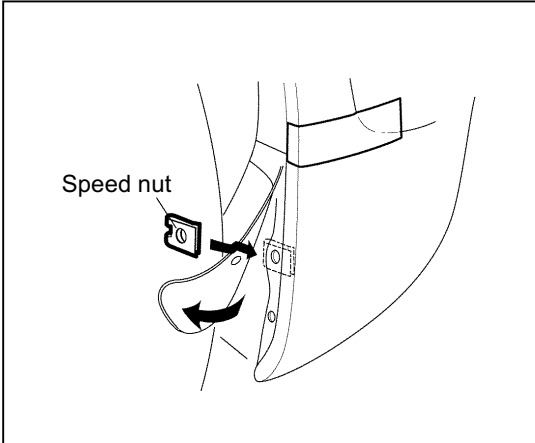
⚠ CAUTION

- Always install brackets A and B to the designated positions. If the parts are installed incorrectly, it could result in parts being lost or falling off the accessory.



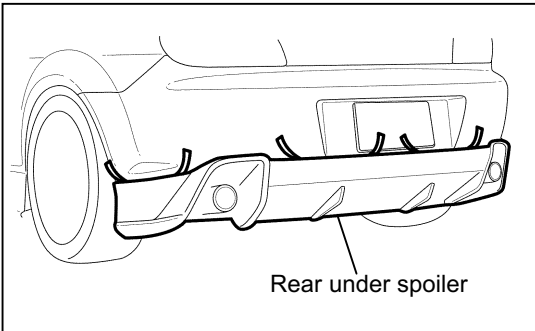
Pack primer application

1. Clean the bumper area shown in the figure and apply the pack primer.



Rear under spoiler installation

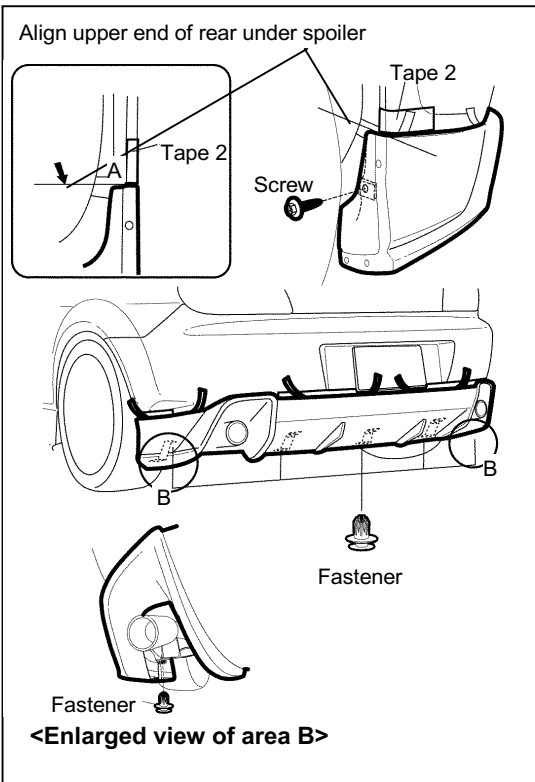
1. Bend back the rear tire housing cover and secure the speed nut in the position shown in the figure.



2. Partially peel back the ends the double-sided adhesive tape on the rear under spoiler as shown in figure and temporarily install the rear under spoiler to the rear bumper.

⚠ CAUTION

- Install the rear under spoiler temporarily as shown in the figure without completely removing the backing from the double-sided adhesive tape.
- Be careful not to scratch the vehicle when installing the rear under spoiler.



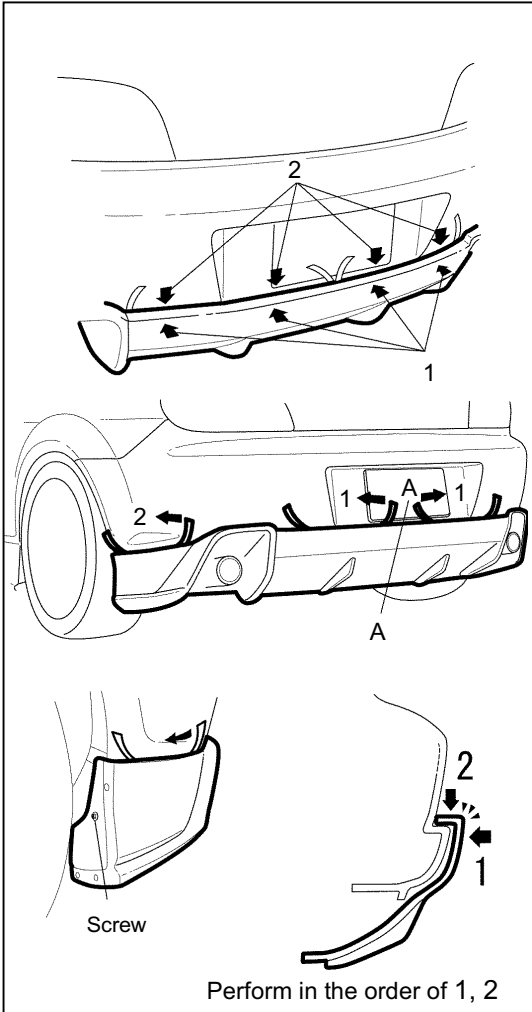
3. Align the lower end of the rear under spoiler with the tape 2 position (lower end) as shown in the figure, and install the fasteners (5).

4. Align the speed nut hole with the rear under spoiler installation hole and secure it with the screw.

⚠ CAUTION

- Make sure the rear under spoiler installation position is aligned with the upper end of the masking tape, and then secure with the screws and fasteners. Otherwise the rear under spoiler will not be installed correctly.

5. Remove the tape 1 and tape 2.



6. Adhere the double-sided adhesive tape in the order shown in the figure while pressing the rear under spoiler in the directions of the arrows to the vehicle bumper.

7. Tighten the screw.

6 HANDLING CAUTIONS

⚠ CAUTION

- Do not step on the rear under spoiler. Otherwise it could cause injury, or damage the vehicle.
- Decelerate when driving over bumpy roads. Otherwise the rear under spoiler could be damaged. When backing the vehicle into a parking space, be careful not to damage the rear under spoiler by contacting parking space tire blocks.
- The standard-equipped towing hook on the vehicle cannot be used. When towing is required, use a tow truck or a trailer.
- If the accessory gets dirty, clean it with a neutral detergent. Never use organic solvents such as thinner or benzene.