

GENUINE FRONT MUD FLAP

INSTALLATION INSTRUCTIONS

Thank you for purchasing a genuine Mazda accessory.
Before removal and installation, be sure to thoroughly read these instructions.
Please read the contents of this booklet in order to properly install and use the Aluminum Footrest. Your safety depends on it.
Keep these instructions with your vehicle records for future reference.

⚠ WARNING

- There are several ⚠WARNING and ⚠CAUTION sections in this booklet concerning safety when installing or removing the Aluminum Footrest. Always read and follow them in order to prevent injuries, accidents, and possible damage to the vehicle.
⚠WARNING: Indicates a situation in which serious injury or death could result if the warning is ignored.
⚠CAUTION: Indicates a situation in which bodily injury or damage to the vehicle could result if the caution is ignored.
- Do not modify the Aluminum Footrest.
- Do not install the Aluminum Footrest in any way other than described in the following instructions.
- If in any doubt, please ask your Mazda dealer to install the accessory in order to prevent errors in installation.
- If you have any questions about the use of the accessory, ask your Mazda dealer for proper advice before using it.
- Mazda and its suppliers are not responsible for injuries, accidents, and damage to persons and property that arise from the failure of the dealer or installer to follow these instructions.
- To ensure safety and reliability of the work, installation, removal and disposal work must be carried out by an Authorized Mazda Dealership.
- Be careful not to lose removed parts, and be sure that they are kept free from scratches, grease or other dirt.

PART NAME: FRONT MUD FLAP
PART NUMBER: F151 V3 450F
(Vehicles with 18 in. wheels)
F152 V3 450F
(Vehicles with 16 in. wheels)
VEHICLE: Mazda RX-8

受	領
03.	2.
M	E/S
	4
マツダ株式会社 用品開発部	

Note

To the dealer

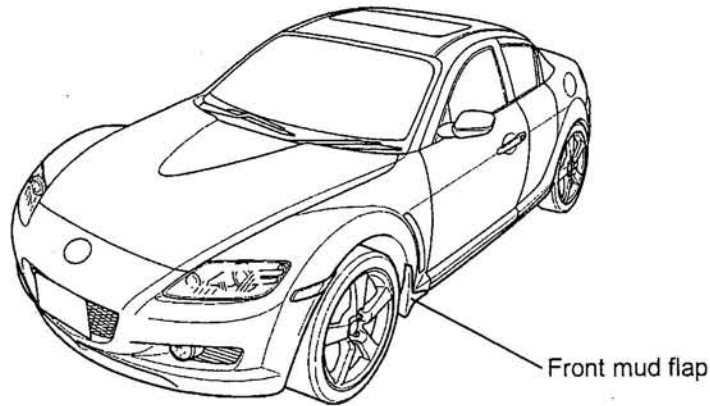
- Please turn over these instructions to the customer after installation.

To the customer

- Keep these instructions after installation. The instructions may be necessary for installing other optional parts or removal of this accessory.
- Should the vehicle or this accessory be resold, always leave these instructions with it for the next owner.

1

INSTALLATION VIEW


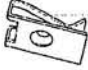







2

PARTS

Note

- Before installation, verify that the kit includes all the following parts and that the parts are not dirty, scratched, or damaged.

Part	Part name	Q'ty	Part	Part name	Q'ty
	Front mud flap (RH, LH)	1ea.		Clip nut	2
	Fastener	2		Tapping screw (Vehicles with 16 in. wheels)	4
	Clip (Vehicles with 16 in. wheels)	4		Tapping screw	2
	Installation instructions	1			

3

REQUIRED TOOLS

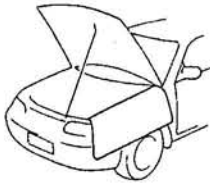
- ★Phillips screwdriver (Stubby)
- ★IPA (Isopropyl alcohol)
- ★Soft clean cloth
- ★Flathead screwdriver
- ★Ultrasonic cutter or Cutter knife

4

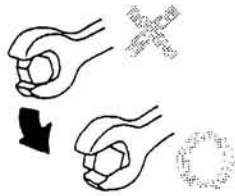
BEFORE INSTALLATION

⚠ CAUTION

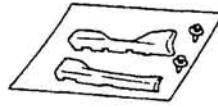
Be sure to cover the vehicle body with protectors or mats to prevent stains, scratches and damage when removing/installing the vehicle parts.



Using improper tools may cause damage and or broken parts. Use the correct tool for the job.



Place removed parts and kit parts on a protective sheet to prevent scratches.



⚠ WARNING

- Park the vehicle on a flat, level surface, set the selector lever to P (AT vehicles) or the shift lever to 1st or R (MT vehicles), apply the parking brake and block the wheels so that the vehicle does not move during installation.

Note

- Refer to the Workshop Manual for removal and installation of vehicle parts. Not following the procedures for removal/installation in the Workshop Manual could result in an accident or vehicle malfunction.

5

PART REMOVAL

Note

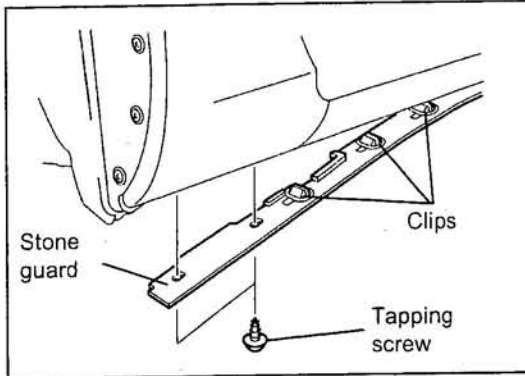
- Directions are given for the left side, however, directions for the right side are the same.

Preparation before installation

1. Turn the steering wheel to full left lock.

Note

- When working on the right side, turn it to full right lock.

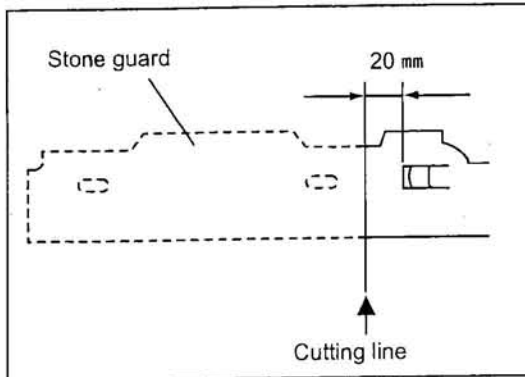
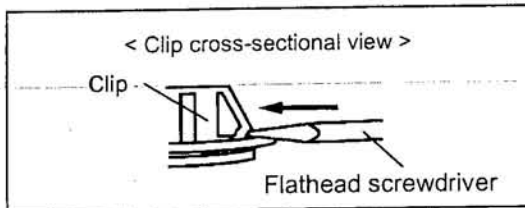


Cutting the stone guard (Vehicles with 18 in. wheels only)

1. Remove the stone guard tapping screws (2).
2. Using a flathead screwdriver (see the cross-sectional view), remove the stone guard clips (3) starting from the vehicle front.

⚠ CAUTION

- Remove the stone guard clips carefully one by one so as not to damage them.
- The removed screws (2) will be reused for installing the front mud flap. Be careful not to damage or lose them.

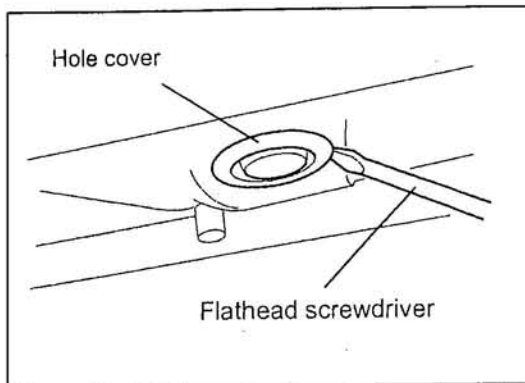


3. Using an ultrasonic cutter or similar cutter, cut the stone guard at the position shown in the figure.

Note

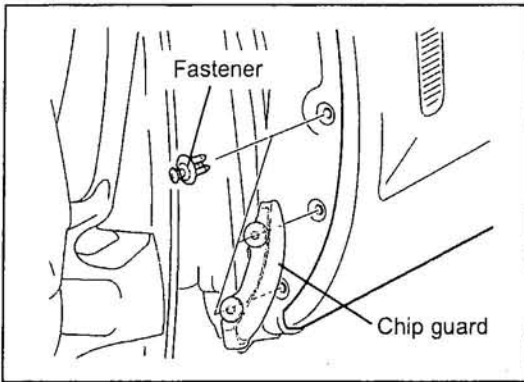
- The cut off front portion of the stone guard is not necessary for this product.

4. Fit the clips (3) to the vehicle to place the stone guard (rear part) back into position.



Removing hole covers (Vehicle with 16in. wheels only)

1. Using a flathead screwdriver, remove the hole covers (2) starting from the vehicle front.



Removing fasteners

1. Remove the splash shield installation fasteners (3) and the chip guard.

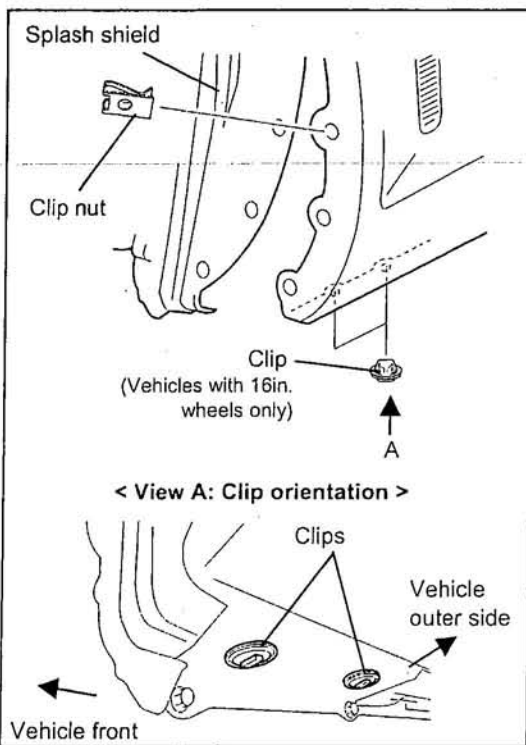
Note

- The removed fasteners (3) and the chip guard are not necessary for this product.

6 FRONT MUD FLAP INSTALLATION

⚠ CAUTION

- The front mud flap is made of hard plastic. Handle it with care, as it may be deformed or discolored if it contacts solvents such as paint thinner or comes close to flame.

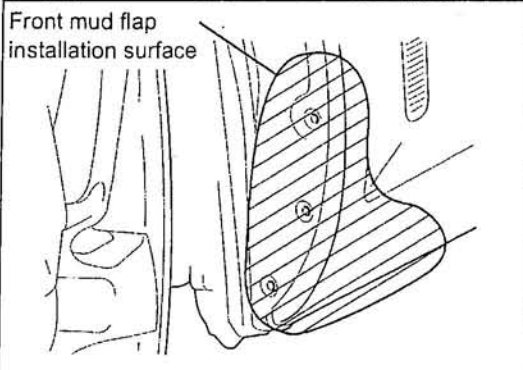


1. Pull the splash shield outward, and install the clip nut in the position shown in the figure.
2. For vehicles with 16 in. wheels, install the clips included in the kit in the positions shown in the figure.

⚠ CAUTION

- Be sure to install the clip nut and the clips in the orientation shown in the figure. If installed with improper orientation, the front mud flap cannot be installed.

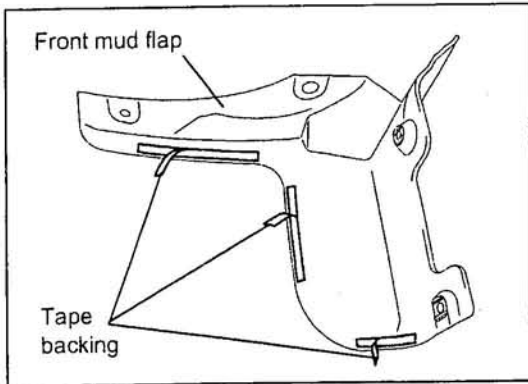
3. For vehicles with 18 in. wheels, align the clip orientation using pliers.



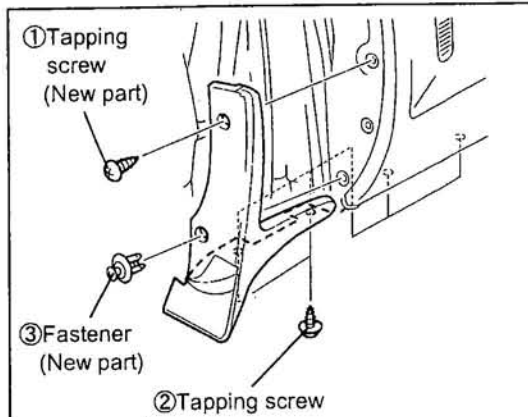
4. Wipe the front mud flap installation surface clean using a clean cloth dampened with Isopropyl alcohol (IPA).

⚠ CAUTION

- If the front mud flap installation surface is not sufficiently clean the front mud flap may come off.
- Do not use organic solvent such as paint thinner, benzene or gasoline when degreasing, as these can damage the paint.



5. Slightly peel back the tape backing and fold away from the front mud flap.



6. Align the installation holes in the front mud flap with those in the vehicle body, and temporarily tighten ① and ② shown in the figure. (Do not tighten them fully.)

Note

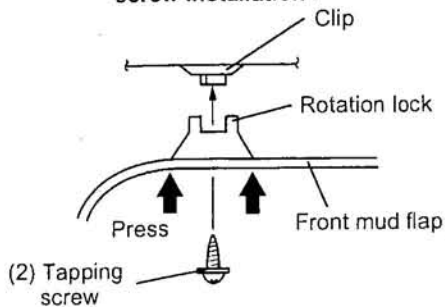
- For vehicles with 18 in. wheels, reuse the original tapping screw that was installed to the stone guard for the ② tapping screw.
- For vehicles with 16 in. wheels, use the tapping screw included in the kit for the ② tapping screw.

7. Remove the tape backing while pressing the front mud flap lightly and making sure that no gap is formed between the vehicle and the front mud flap.

Note

- Perform this work very carefully so as not to tear the tape backing.

< Cross-sectional view of ② tapping screw installation >



8. Press the front mud flap evenly in the areas where the double-sided adhesive tape is affixed.

9. Fully tighten ① and ②.

Note

- When tightening the ② tapping screw, press the points shown in the figure.

10. Install the ③ fastener to fix the front mud flap.

7 INSPECTION AFTER INSTALLATION

1. Make sure that there is no excessive gap.
2. Make sure that the screws and the fasteners are securely tightened.

**INSTALLATION
INSPECTION SHEET**

**Mazda
RX-8**

FRONT MUD FLAP

**F151 V3 450F
(Vehicles with 18 in. wheels)
F152 V3 450F
(Vehicles with 16 in. wheels)**

Inspection items after installation

- Inspect the installed/reinstalled parts for the following items.

Part	Check item (○)		
	Clearance/Fit	Scratches/Dirt	Installation/Tightening/ Engagement
Front mud flap	○	○	○

Installation inspection sheet for front mud flap

Date					
VIN.					
Approved		Checked		Person in charge	

The term of validity for
this sheet: 3 months