

Mazda®

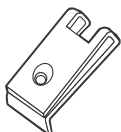
Genuine Accessories
Installation Instructions

Part Number
0000-8G-K01

Front Mask

Applicable Models:
2004 Mazda RX8 Base

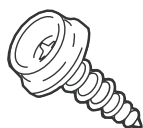
Package Contents



U-Nut (Qty. 8)



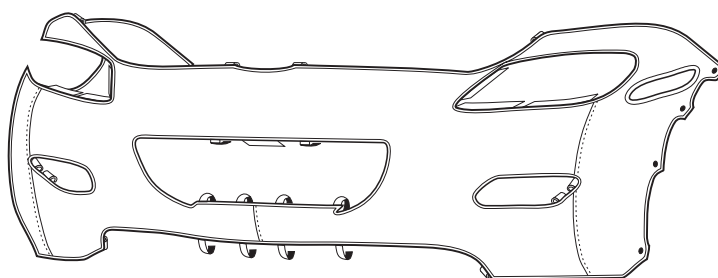
Washer (Qty. 8)



Snap Head Screw (Qty. 8)



Hood Cover (Qty. 1)



Front End Cover (Qty. 1)

Tools Required

Stubby Phillips
Screwdriver

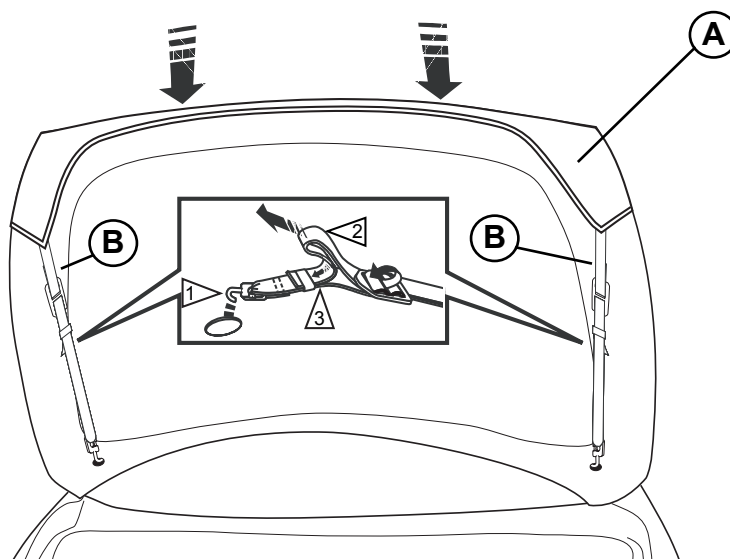


0 Before Installation

- A. Area to be covered by mask must be clean. It is recommended that you wash and wax vehicle prior to installation.
- B. Both vehicle and mask must be completely dry prior to installation. If moisture under mask is allowed to dry on vehicle, paint may cloud.
- C. Any repainted surfaces in contact with mask must be allowed to cure completely. Consult paint manufacturer or repair facility if you are not sure.

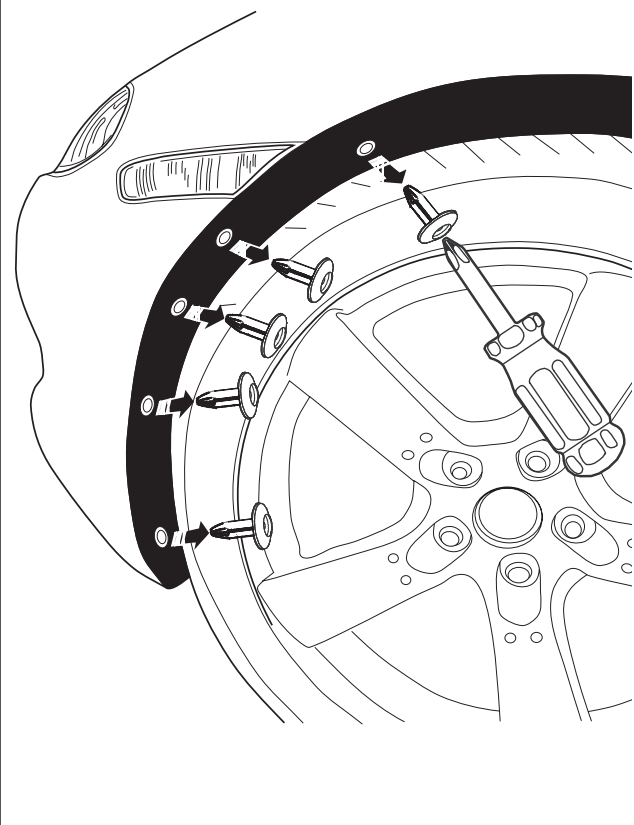
1 Install Hood Cover

- A. With hood open, stretch hood cover (A) onto hood, pulling each side one or two inches at a time, until corners fit snugly. Install hooks on ends of straps (B) into corresponding holes in hood. Pull evenly on ends of adjustable straps (B) until tight. Secure loose ends in elastic loops.



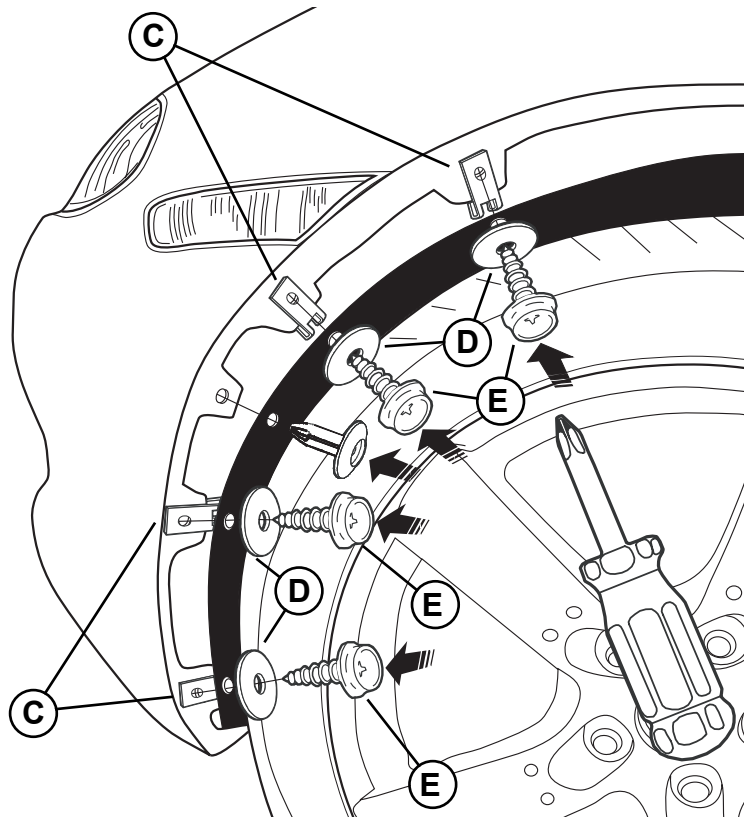
2 Remove wheel well fasteners

- A. Using stubby phillips screwdriver, remove five plastic fasteners along front edge of both front wheel wells.



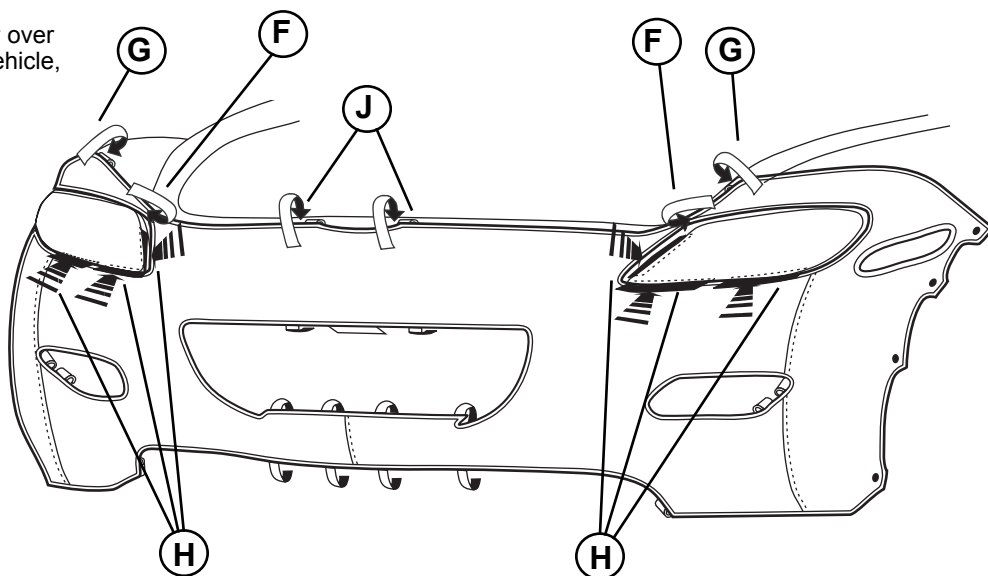
3 Install wheel well hardware

- A. In both front wheel wells, lift wheel well liner to reveal holes.
- B. Slip u-nuts (C) over top two and bottom two holes in metal edge, making sure that holes are aligned.
- C. Release liner to its original position. Using a stubby phillips screwdriver, install washer (D) and snap head screws (E) into top two and bottom two holes in each wheel well. Reinstall original fastener into unoccupied middle hole.



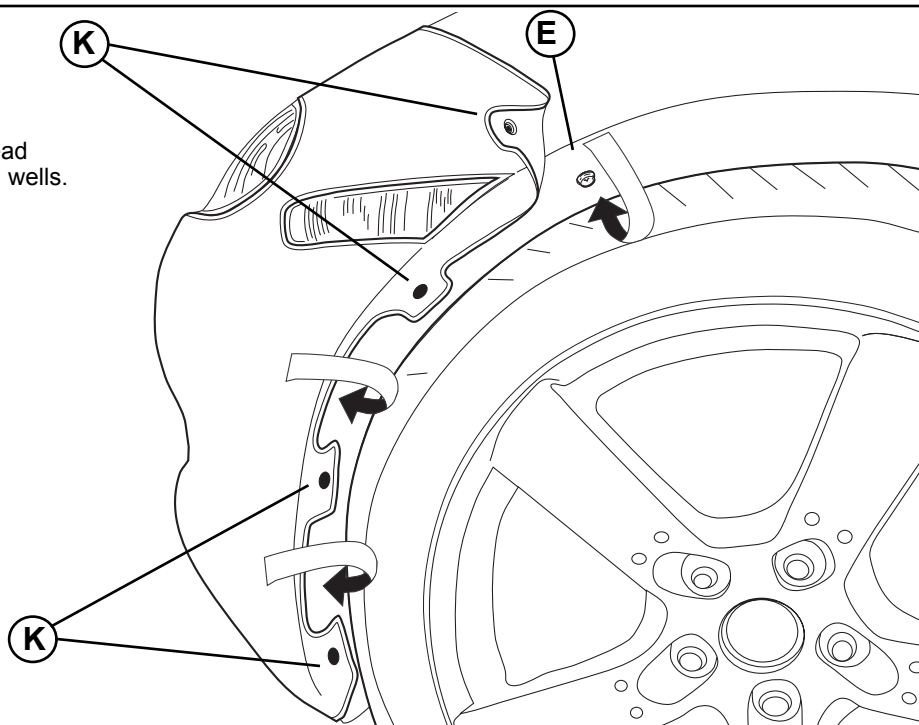
4 Install upper attachments

- A. With hood open, lay front end cover over front of vehicle. On both sides of vehicle, slide pockets (F) over front corners of fenders. Care should be taken to prevent ripping of pockets (F).
- B. Attach clips (G) to edge of fender rails.
- C. On both sides of vehicle, insert pads (H) in slot under headlights.
- D. Attach clips (J) to back inside edge of metal at center of vehicle under hood.



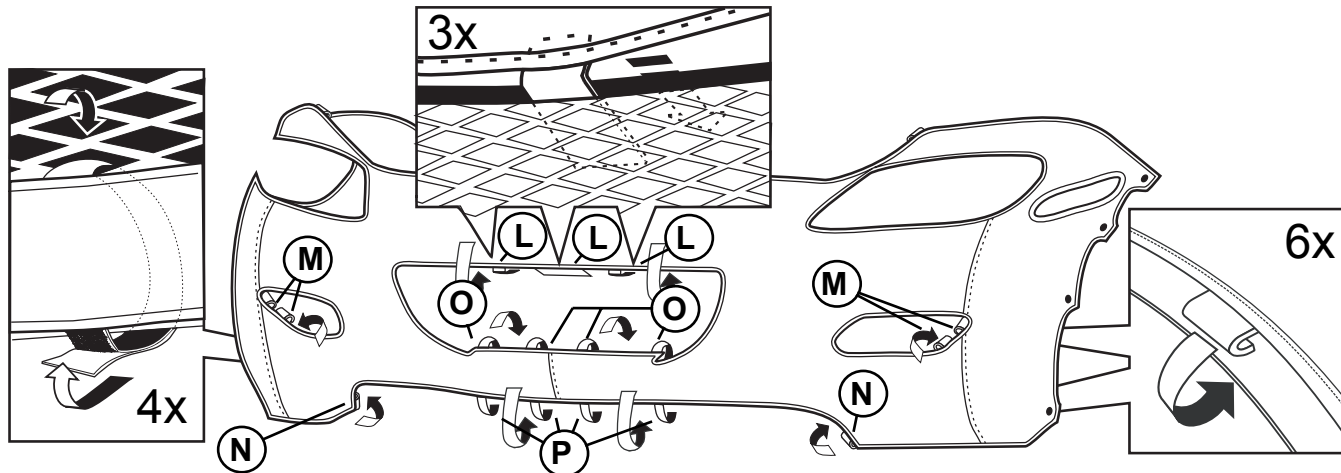
5 Install wheel well attachments

- A. Press snaps (K) onto snap head screws (E) in both front wheel wells.



6 Install bottom attachments

- A. Insert pads (L) into slot located between edge of front fascia and top edge of grille area. Attach clips (M) to back edge of fascia in fog light area. Attach clips (N) to underside edge of bumper fascia. Insert velcro loop (O) into nearby hole in grille area and attach to velcro hook (P) located at underside edge of bumper fascia.



7 Post Installation Inspection

- A. Close hood and check alignment between hood cover and front end cover along seam (between fender and hood). If adjustment is necessary, adjust the hood cover by adjusting the hood cover straps. Refer to step 1.
- B. If mask should flap due to high speed or wind conditions, adjust or remove mask completely.

8 Care and Cleaning

- A. Always remove mask before washing vehicle.
- B. Hand clean mask using mild soap, rinse thoroughly with clean water and line dry completely. Do not machine dry!
- C. Use Mazda Vinyl/Leather Protectant (or equivalent) to preserve color and finish.
- D. **WARNING:** Running up on curb will damage this product. Manufacturer will not be responsible for damage to product due to accident or misuse.

Place in vehicle glove compartment.

AS 090-M11356cmc1105RevA