





GENUINE FRONT BUMPER FACE

INSTALLATION AND USER'S INSTRUCTIONS

Thank you for purchasing a genuine Mazda accessory.
Before removal and installation, be sure to thoroughly read these instructions.
Please read the contents of this booklet in order to properly install and use the front bumper face. Your safety depends on it.
Keep these instructions with your vehicle records for future reference.

WARNING

- There are several  **WARNING** and  **CAUTION** sections in this booklet concerning safety when installing or removing the front bumper face. Always read and follow them in order to prevent injuries, accidents, and possible damage to the vehicle.
 -  **WARNING:** Indicates a situation in which serious injury or death could result if the warning is ignored.
 -  **CAUTION:** Indicates a situation in which bodily injury or damage to the vehicle could result if the caution is ignored.
- Do not modify the front bumper face.
- Do not install the front bumper face in any way other than described in the following instructions.
- If in any doubt, please ask your Mazda dealer to install the accessory in order to prevent errors in installation.
- If you have any questions about the use of the accessory, ask your Mazda dealer for proper advice before using it.
- Mazda and its suppliers are not responsible for injuries, accidents, and damage to persons and property that arise from the failure of the dealer or installer to follow these instructions.
- To ensure safety and reliability of the work, installation, removal and disposal work must be carried out by an Authorized Mazda Dealership.
- Be careful not to lose removed parts, and be sure that they are kept free from scratches, grease or other dirt.

PART NAME: FRONT BUMPER FACE
PART NUMBER: QSEA 50 020
VEHICLE: Mazda RX-8
(Excl. vehicles with headlight cleaners)

NOTE

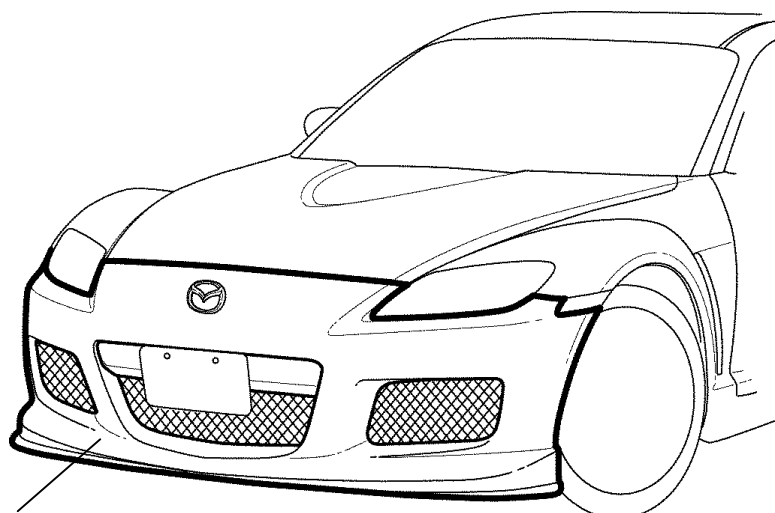
To the dealer

- Please turn over these instructions to the customer after installation.

To the customer

- Keep these instructions after installation. The instructions may be necessary for installing other optional parts or removal of this accessory.
- Should the vehicle or this accessory be resold, always leave these instructions with it for the next owner.

1 INSTALLATION VIEW

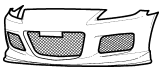


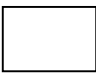

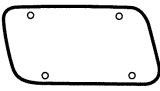



Front bumper face

2 PARTS

Note

- Verify that the kit includes all the following parts and that they are free of dirt, scratches, or damage.

Part	Part name	Spec	Qty.	Part	Part name	Spec	Qty.
	Front bumper face	Same as body color or unpainted	1		Speed nut	For M5	10
	Spacer	Φ10.0 x 4.5	2		Cushion tape A	60 x 120	2
	Cushion tape B	20 x 200	1		Hole cover (RH)	Resin plate	1
	Installation and user's instructions	Paper	1				

Option	Front ornament	Part number: F151 51 731A	1
	Speed nut	Part number: 99578 3000	2
	Fog lamp bracket	Part number: QSEA 51 68Z	1

* When the front bumper face and the front fog lamps are to be equipped at the same time, the fog lamp bracket (QSEA 51 68Z) is necessary. To install the fog lamp bracket, refer to the installation and user's instructions accompanying the fog lamp bracket.

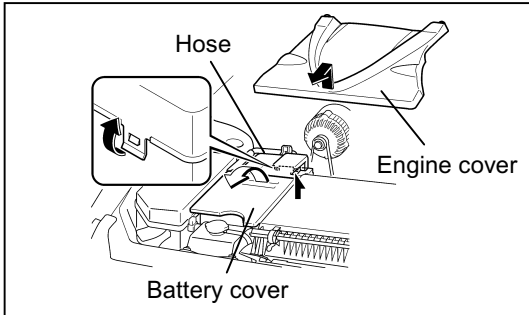
3 BEFORE INSTALLATION

REQUIRED TOOLS

Prepare the following tools or items before installation.

- ★ Isopropyl alcohol (IPA)
- ★ Protective tape (Vinyl tape)
- ★ Drill bit (4.5 mm)
- ★ Marker
- ★ Clean rag
- ★ Fastener remover
- ★ Round file
- ★ Tape measure
- ★ Clean cloth
- ★ Spanner
- ★ Hole saw (14.0 mm)
- ★ Drill
- ★ Phillips screwdriver
- ★ Long-nose pliers

Battery removal



1. Remove the engine cover.
2. Remove the hose from the battery cover.
3. Lift up the rear of the battery cover and remove.
4. Disconnect the negative battery cable.

⚠ WARNING

- Never place the battery near an open flame. Flammable gas from the battery can be ignited resulting in an explosion.

⚠ WARNING

<p>Disconnect the negative battery cable before removal/installation. A short circuit while performing work may cause electric shock or other injury.</p>	<p>Do not apply excessive force to the wiring harness. Otherwise a fire, electrical shock, or other accident may occur due to an open or short circuit.</p>	<p>When connecting/disconnecting connectors, grasp the connectors, not the wires. Otherwise a fire or other accident may occur due to an open circuit or poor contact.</p>	<p>Before performing work, park the vehicle on level ground, apply the side brake securely, and then block the wheels.</p>

⚠ CAUTION

<p>Use the most appropriate (size, use) tool for each task. Otherwise the parts may be damaged.</p>	<p>Be sure to cover the vehicle body with protectors or mats when removing/installing parts. Otherwise, the vehicle may be scratched or become dirty.</p>	<p>Place the removed parts and the parts in the kit on a protective sheet to prevent scratches.</p>

⚠ CAUTION

- Be sure to perform the installation work with two people.

⚠ WARNING

- Refer to the Workshop Manual for removal and installation of vehicle parts. Not following the procedures for removal/installation in the Workshop Manual could result in an accident or vehicle malfunction.

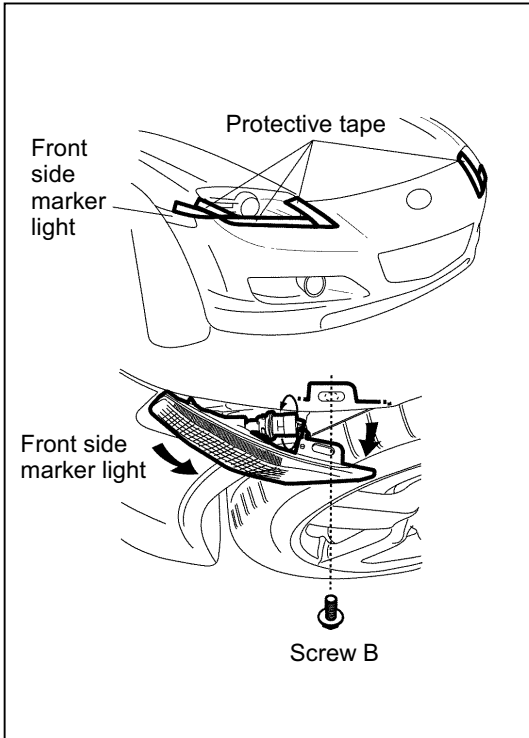
Note

- When the negative battery cable is removed, the memory for the clock, radio, trip meters and other units will be cleared. Before performing work, record the memory content of each unit.

4 VEHICLE PARTS REMOVAL

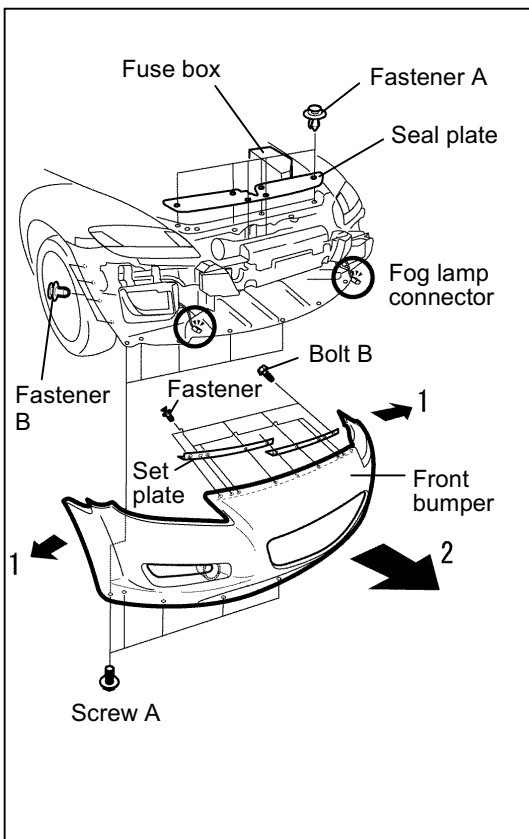
⚠ CAUTION

- Screws and bolts removed during vehicle parts removal are to be reused. Be careful not to lose them.



Front bumper removal

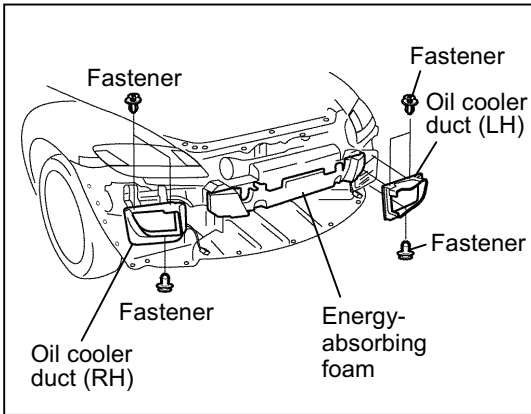
1. To protect the vehicle body from scratching, affix protective tape as shown in the figure.
2. Disconnect the fog lamp connectors for vehicles with front fog lamps.
3. Remove screw B fastening the front side marker light.
4. Detach the socket and remove the front side marker light.



4. Remove fasteners A fixing the seal plate, and then remove the seal plate.
5. Remove fasteners B fastening the mud guard.
6. Remove bolts B and fasteners fixing the set plates.
7. Remove the set plates.
8. Remove screws A fixing the underside of the front bumper.
9. Pull the ends of the front bumper (wheel arches) outward to detach it from the bumper slider, and then remove the front bumper from the body.

⚠ CAUTION

- When removing the front bumper from the bumper slider, the bumper could fall and be damaged. Be careful not to drop the front bumper.

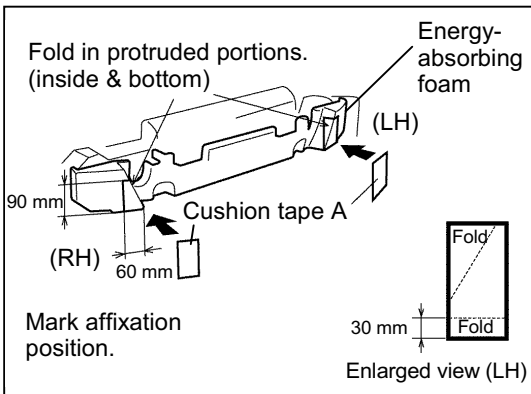


Oil cooler duct removal

1. Remove the fasteners (3 locations each side) fixing the oil cooler duct.
2. Remove the oil cooler duct.

Note

- The oil cooler is provided on each side or on the left side only depending on the grade of the vehicle.

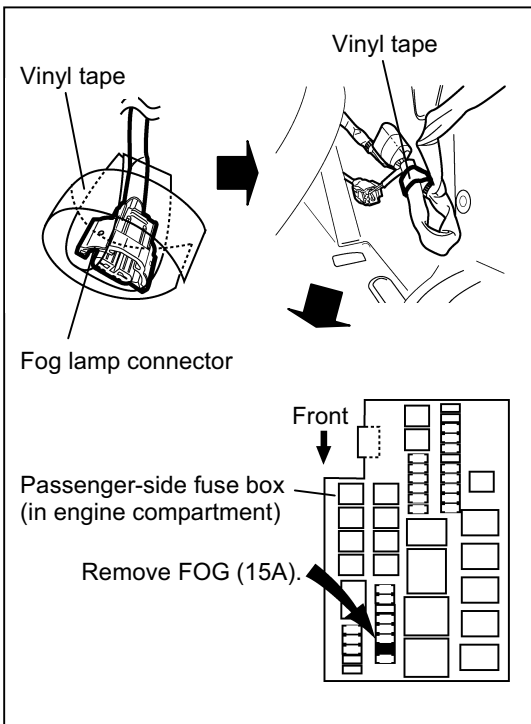


Cushion tape A affixation

1. As a guide, mark the cushion tape affixation position with a marking pen on the protrusion on each side of the energy-absorbing foam fitted to the center of the vehicle.
2. As shown in the figure, affix cushion tape A in the position marked on the energy-absorbing foam.
3. Fold and affix the protruded portions (30 mm at the bottom and protrusion to the inside).

⚠ WARNING

- The energy-absorbing foam is a very important part that provides safety in the event of collision. Never remove or cut the energy-absorbing foam.



(Vehicle with fog lamp not in use)

1. Wrap vinyl tape around the fog lamp connector.
2. Bend back the fog lamp wiring harness and wrap vinyl tape around it.
3. Remove the fuse for the fog lamp from the fuse box.

⚠ CAUTION

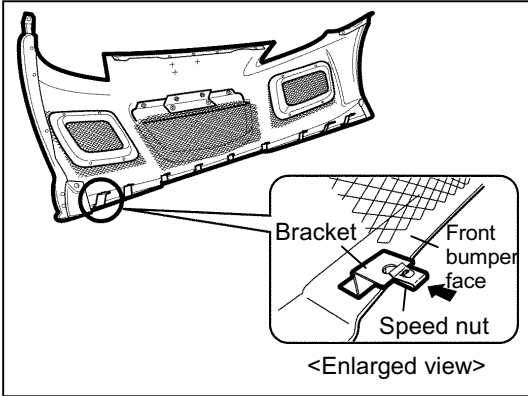
- Be sure to wrap vinyl tape around the fog lamp connector for waterproofing.
- Bend back the wiring harness and wrap vinyl tape around it for noise prevention.
- Remove the fuse for the fog lamp indicated in the figure from the fuse box.

5

FRONT BUMPER FACE INSTALLATION

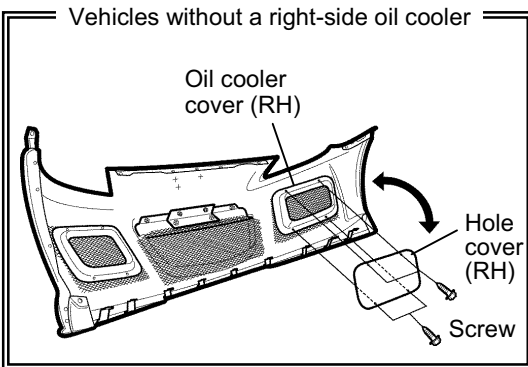
⚠ CAUTION

- When handling the front bumper face, especially when working on its backside, be careful not to cut yourself with the edges of the wire mesh or the brackets.



Front bumper face assembly

1. Attach the speed nuts to the brackets (10 locations) on the underside of the front bumper face.

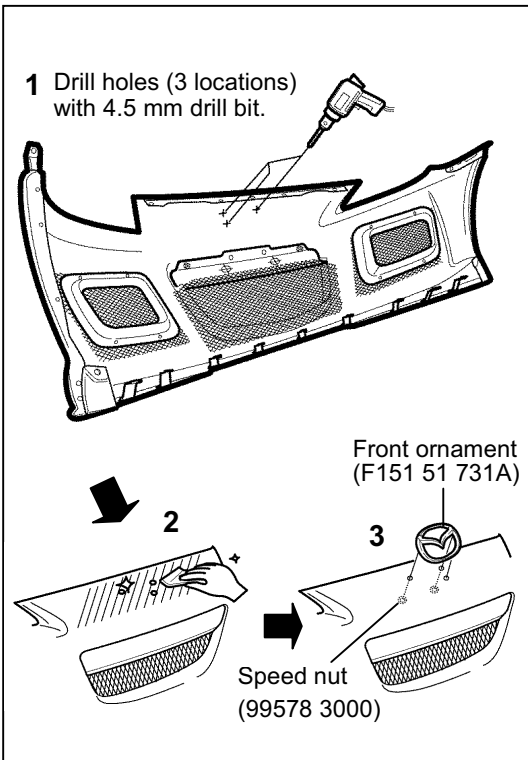


(Vehicles without a right-side oil cooler)

1. Remove the screws (4) fixing the oil cooler cover (RH) attached to the front bumper face.
2. Replace the removed oil cooler cover (RH) with the hole cover (RH) in the kit and secure it with the screws.

Note

- This replacement is necessary only when the right oil cooler is not provided. When the oil cooler is provided on each side, the hole cover (RH) is not used.



(Front ornament assembly)

Note

- The front ornament (F151 51 731A) (1) and speed nuts (99578 3000) (2) need to be purchased separately.

1. Using a 4.5 mm drill bit, drill holes (3 locations) at the crosshair marks on the backside of the front bumper face.

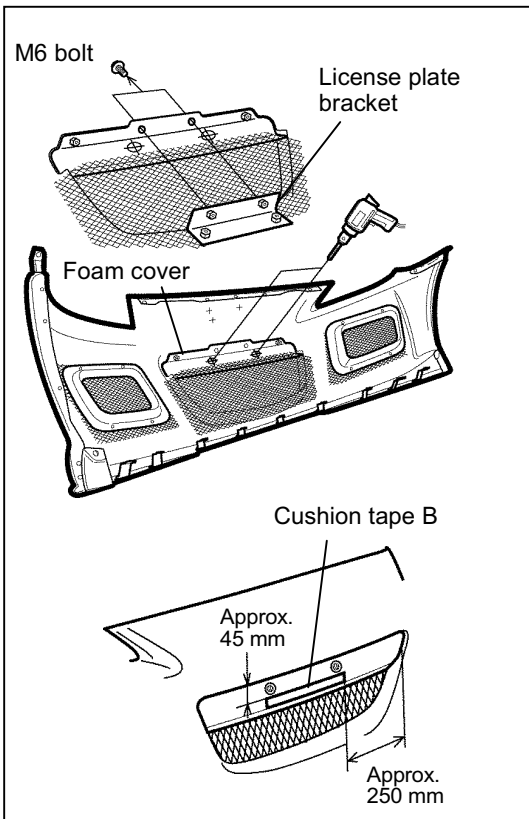
⚠ WARNING

- Drills and other sharp objects can cause serious injury. Be careful when handling drills and other sharp objects.

2. After drilling, remove burrs and chips completely.
3. Align the front ornament with the drilled holes and secure it with the speed nuts from the backside of the front bumper face.

Note

- Before securing the front ornament with the speed nuts, make sure that the front ornament is positioned at the center.



(When front license plate is installed)

1. Remove the M6 bolts (2 locations) fixing the license plate bracket, and remove the license plate bracket.
2. Using a 4.5 mm drill bit, drill holes (2 locations) at the center of the marks on the backside of the foam cover and enlarge them to 14.0 mm with a hole saw. After drilling, remove burrs and chips completely.

⚠ WARNING

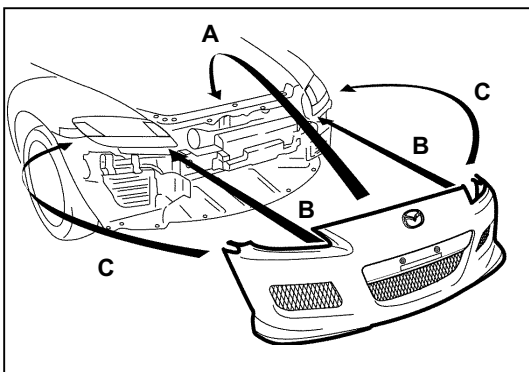
- Drills and other sharp objects can cause serious injury. Be careful when handling drills and other sharp objects.

3. Install the license plate bracket with M6 bolts.

Tightening torque :

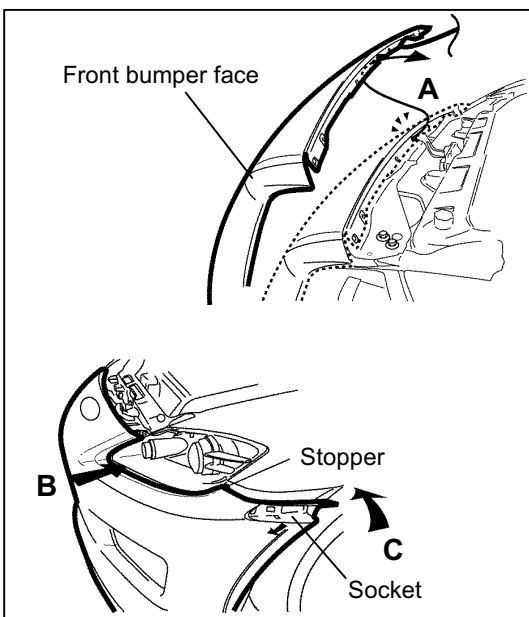
1.7 - 5.0 N·m {18 - 50 kgf·cm, 16 - 44 in·lbf}

4. Affix cushion tape B to the front side of the foam cover as shown in the figure.



Front bumper face installation

1. Install the front bumper face to the vehicle in the order of A, B, C.



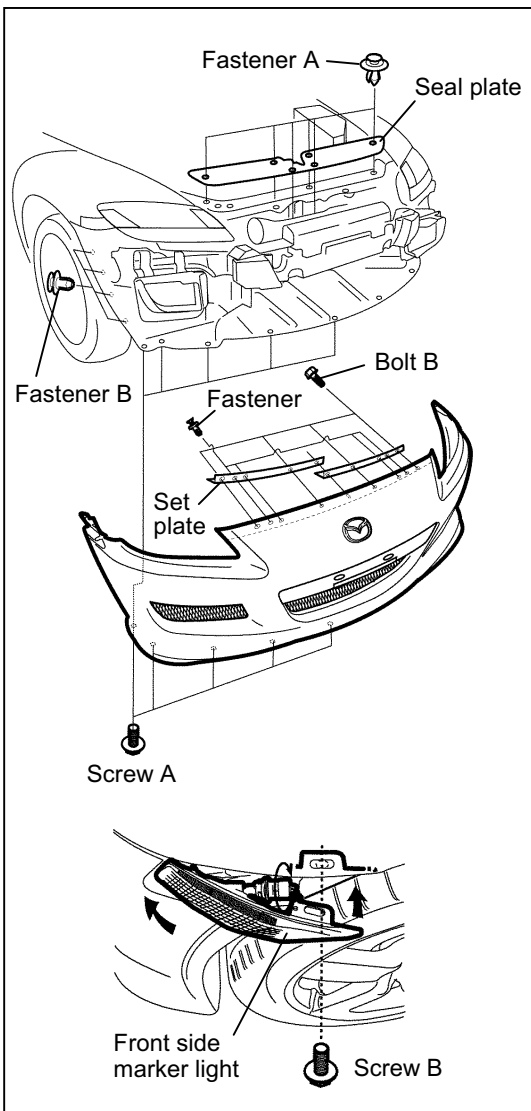
- A. Pass the hook at the vehicle center through the hole in the center of the front bumper face as shown in the figure.

⚠ CAUTION

- When installing the front bumper face to the vehicle, be careful not to scratch the headlights, front fenders, or other vehicle parts.

- B. Install the headlight area of the front bumper face by sliding it as shown in the figure.

- C. Pull out the socket from the side area of the front bumper face. Insert the stopper into the front fender and install the front bumper face completely.



Note

- The front bumper face is shown removed in the figure to facilitate explanation.

2. Install the set plates with bolts B.

Tightening torque :

1.3 - 5.0 N·m {14 - 50 kgf·cm, 12 - 44 in·lb}

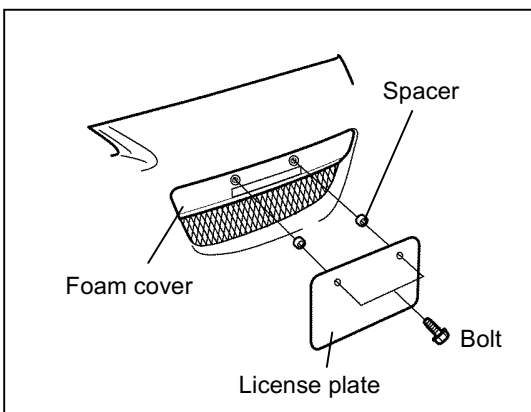
3. Install the seal plate with fasteners A.
4. Secure the underside of the front bumper face with screws A.
5. Secure the mud guards with fasteners B.
6. Install the front side marker lights.
7. Remove the protective tape.

(When front license plate is installed)

8. Secure the license plate to the drilled holes via the spacers.

Note

- To secure the license plate, use the originally attached bolts.



Battery terminal and engine cover reinstallation

- After installing the front bumper face, check that each part is securely fixed and all the parts are installed.
- Connect the negative battery cable, and check that the front turn lights operate properly.

CAUTION

*If the front turn lights do not operate properly, check the following points.

- Are the connectors connected properly?
- Is there an open circuit due to pinching of a wiring harness?
- Has a fuse blown?

CAUTION

When the battery is disconnected, the DSC indicator light will no longer operate.

(At this time, the DSC OFF indicator light flashes and the TCS/DSC operation indicator light illuminates.)

Perform the following procedure to enable DSC operation.

1. Turn the ignition switch to the ON position.
2. Turn the steering wheel fully right and then fully left.
3. Verify that the DSC OFF indicator light goes out.
4. Turn the ignition switch off and once again to the ON position.
5. Verify that the TCS/DSC operation indicator light goes out.

If the TCS/DSC operation indicator light and the DSC OFF indicator light do not go out even after the ignition switch is turned to the ON position, contact an Authorized Mazda Dealer.

CAUTION

When the battery is disconnected, the power window will no longer fully open/close automatically.

Perform the following procedure to restore the function.

1. Turn the ignition switch to the ON position.
2. Press the switch to fully open the window.
3. Pull up the switch to fully close the window and continue to pull it up for about two seconds.

- Install the battery cover, hose, and engine cover in the reverse order of removal.

CAUTION

After attaching the engine cover, check that it is securely fixed.

CAUTION

Make sure that the vehicle parts are clean before reinstalling. Clean any dirty parts.

6 CAUTIONS FOR USE

CAUTION

- Never step on the aero parts when the vehicle is stopped, as it is very dangerous.
- Decelerate on bumpy roads and drive with care. Otherwise the accessory could be damaged.
- The standard-equipped towing hook cannot be used. Use a tow truck or trailer for towing.
- If the accessory gets dirty, clean it with a neutral detergent. Never use organic solvents such as thinner or benzene.