





GENUINE FOOT LAMP

INSTALLATION AND USER'S INSTRUCTIONS

Thank you for purchasing a genuine Mazda accessory.
Before removal and installation, be sure to thoroughly read these instructions.
Please read the contents of this booklet in order to properly install and use the foot lamp. Your safety depends on it.
Keep these instructions with your vehicle records for future reference.

WARNING

- There are several  **WARNING** and  **CAUTION** sections in this booklet concerning safety when installing or removing the foot lamp. Always read and follow them in order to prevent injuries, accidents, and possible damage to the vehicle.
 **WARNING:** Indicates a situation in which serious injury or death could result if the warning is ignored.
 **CAUTION:** Indicates a situation in which bodily injury or damage to the vehicle could result if the caution is ignored.
- Do not modify the foot lamp.
- Do not install the foot lamp in any way other than described in the following instructions.
- If in any doubt, please ask your Mazda dealer to install the accessory in order to prevent errors in installation.
- If you have any questions about the use of the accessory, ask your Mazda dealer for proper advice before using it.
- Mazda and its suppliers are not responsible for injuries, accidents, and damage to persons and property that arise from the failure of the dealer or installer to follow these instructions.
- To ensure safety and reliability of the work, installation, removal and disposal work must be carried out by an Authorized Mazda Dealership.
- Be careful not to lose removed parts, and be sure that they are kept free from scratches, grease or other dirt.

PART NAME: FOOT LAMP
PART NUMBER: F151 V7 050
VEHICLE: Mazda RX-8

NOTE

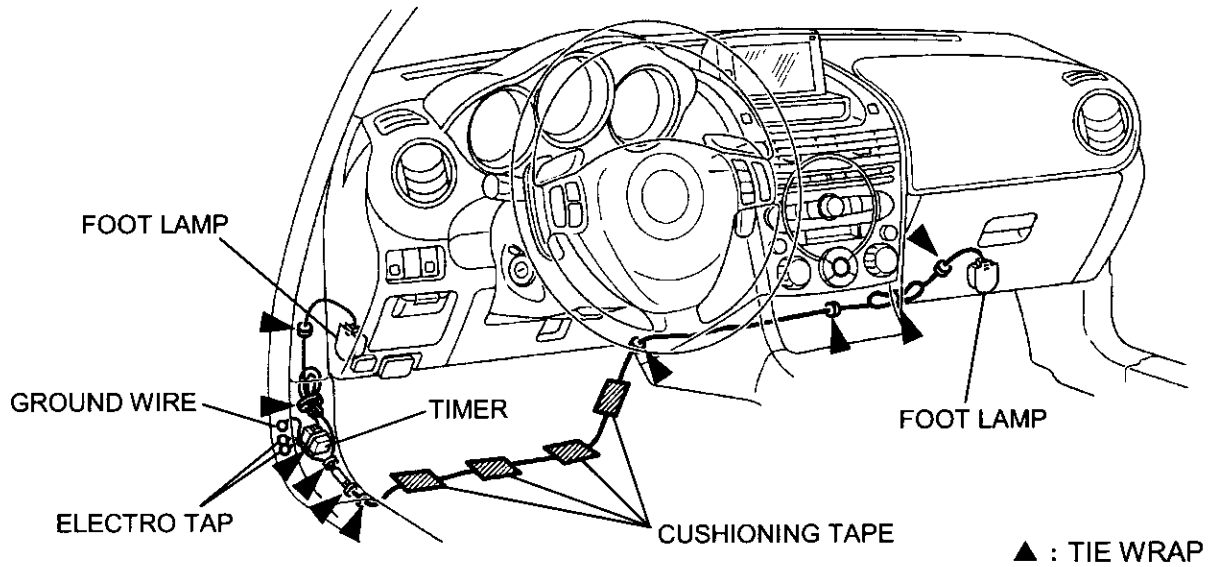
To the dealer

- Please turn over these instructions to the customer after installation.

To the customer

- Keep these instructions after installation. The instructions may be necessary for installing other optional parts or removal of this accessory.
- Should the vehicle or this accessory be resold, always leave these instructions with it for the next owner.

1 INSTALLATION VIEW

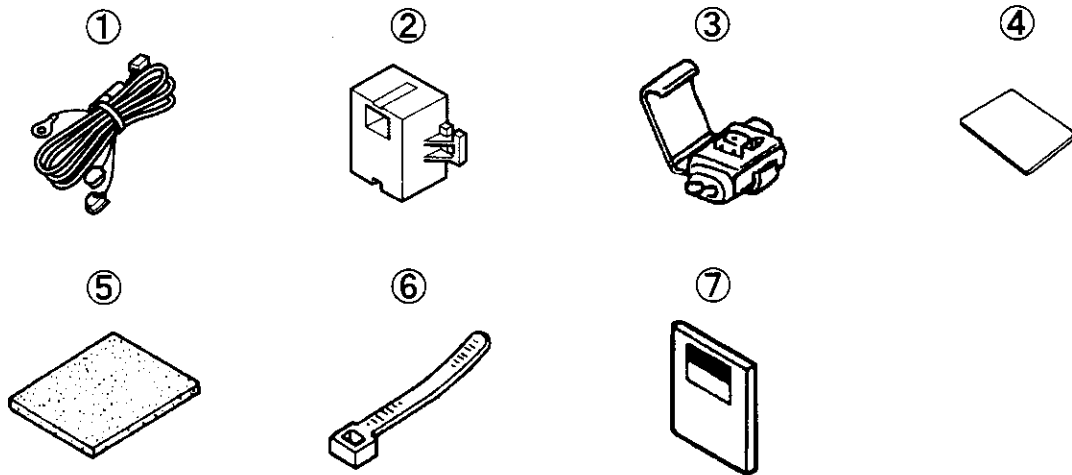


2 PARTS

Note

- Before installation, verify that the kit includes all the following parts and that the parts are not dirty, scratched, or damaged.

No.	Part name	Qty.	No.	Part name	Qty.
①	Harness	1	⑤	Cushioning tape	5
②	Timer	1	⑥	Tie wrap	14
③	Electro tap	2	⑦	Installation and user's instructions	1
④	Double-sided adhesive tape	2			



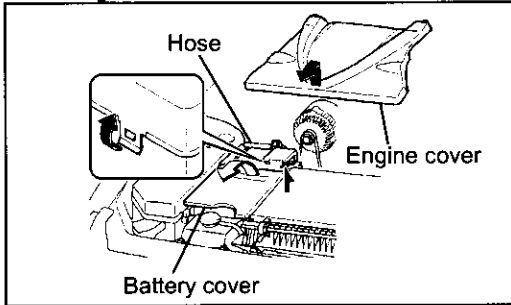
3 BEFORE INSTALLATION

REQUIRED TOOLS

Prepare the following tools or items before installation.

- ★Phillips screwdriver
- ★Fastener remover
- ★Vinyl tape
- ★Nipper
- ★Socket wrench (10mm)
- ★IPA (Isopropyl alcohol)
- ★Pliers
- ★Wire

Battery cover removal



1. Remove the engine cover.
2. Remove the hose from the battery cover.
3. Lift up the rear of the battery cover and remove it.

⚠ WARNING

<p>When the negative battery cable is connected during operation, it may cause electric shock or other personal injuries. Disconnect the negative battery cable before removal/installation.</p>	<p>When connecting/disconnecting connectors, grasp the connectors, not the wires. Otherwise a short, an accident from poor contact or fire may occur.</p>	<p>Do not pull the harness with excessive force. Doing so can cause a breakage or a short-related accident, as well as an electrical short or fire.</p>	<p>Secure the harness with the band (part included) so it doesn't dangle. If not, it may cause a short, accident, or fire.</p>

⚠ CAUTION

<p>Put the removed parts and the parts in the kit on the protective sheet to prevent scratches.</p>	<p>Using improper tools may cause damage and or broken parts. Use the correct tool for the job.</p>	<p>Be sure to cover the vehicle body with protectors or mats to prevent stains, scratches and damage when removing/installing the vehicle parts.</p>	<p>Excessive band length may interfere with other parts and cause damage. Cut unnecessary part.</p>

⚠ WARNING

- When removing/installing the parts, park the vehicle on level ground and apply the side brake securely. Be sure to turn the ignition switch off, otherwise the vehicle can move, causing personal injury or vehicle damage.

Note

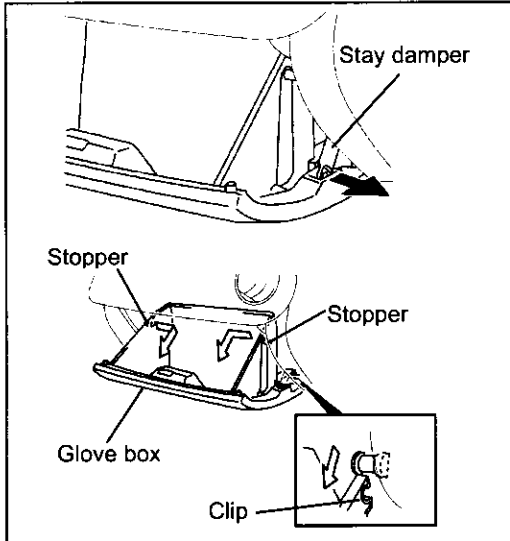
- When the negative battery cable is removed, the clock, radio, trip meters and other memory will be erased. Before performing work, record the content of the memory.

4

PART REMOVAL

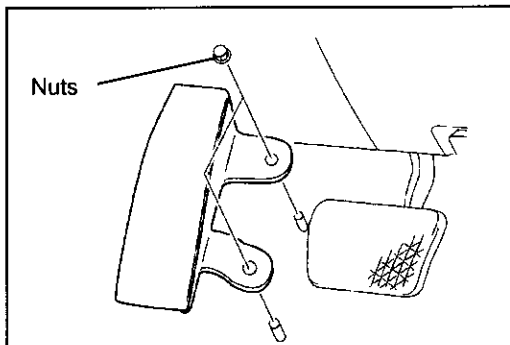
⚠ CAUTION

- Be careful not to damage or lose removed parts during removal.



Glove box removal

1. Pull the stay damper in the direction of the arrow and disconnect the glove box from the stay damper.
2. Bend the stoppers inward and remove them.
3. Lower the glove box.
4. Detach the clip from the installation panel, then remove the glove box.

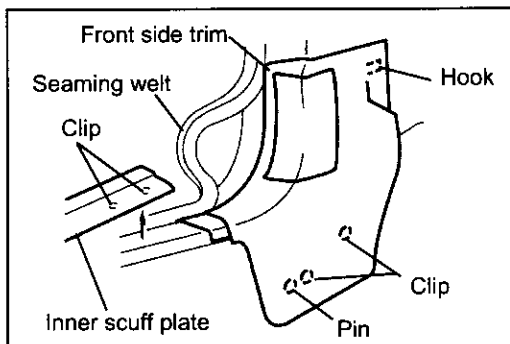


Footrest removal

1. Remove the nuts and remove the footrest.

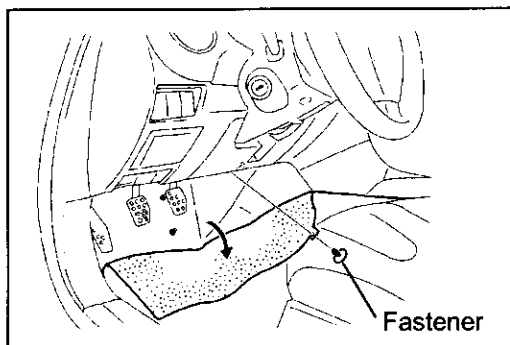
Note

- Tightening torque (When reinstalling part)
Nut: 2.45—3.53 N·m
{25.0—35.9 kgf·cm, 21.7—31.2 in·lbf}



Front side trim (driver's side) removal

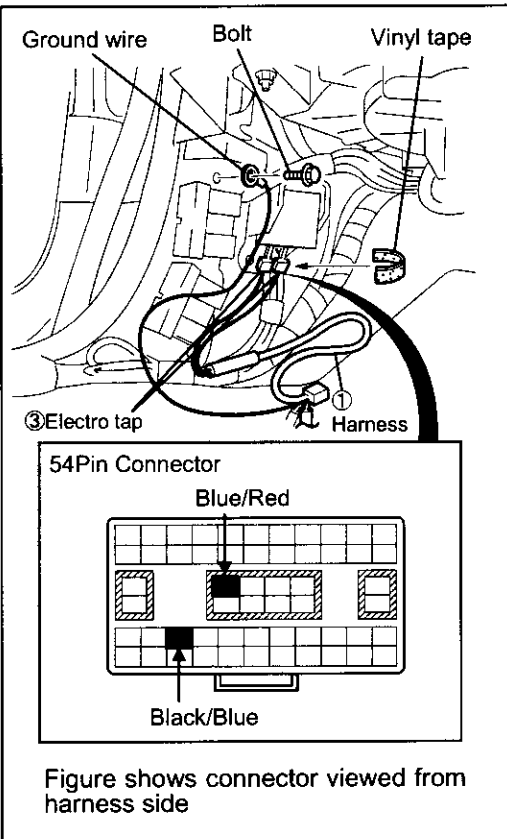
1. Detach the clips from the front part of the inner scuff plate.
2. Peel away the part of the seaming welt that interferes with the front side trim.
3. Pull the front side trim toward the vehicle interior and detach the clips from the body.
4. Pull the front side trim toward the rear of the vehicle and remove the hook.



Folding back floor mat

1. Detach the floor mat fastener (1) and fold back the floor mat.

5 FOOT LAMP INSTALLATION



Connecting the harness

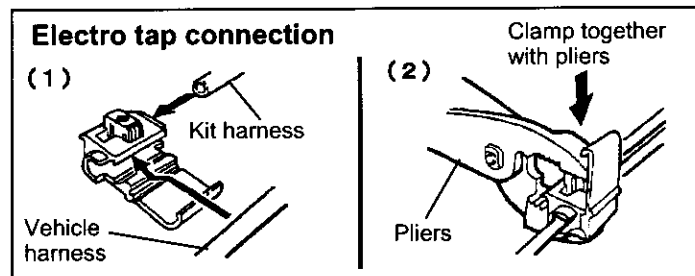
1. Tighten the harness ① round terminal (ground wire) together with the vehicle bolt as shown in the figure.

Tightening torque :

7.8~10.8 N·m {80—110 kgf·cm, 70—95.5 in·lbf}

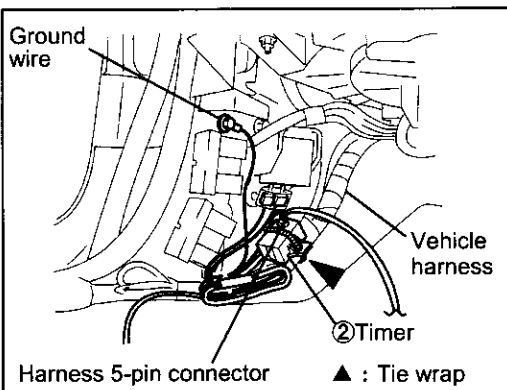
2. Connect the harness ① blue/red wire and black/red wires to the 54-Pin connector with the electro taps ③ shown in the figure.

Harness wire color	Connecting wire color	Signal
Blue/Red	Blue/Red	+B
Black/Blue	Black/Blue	Door SW



CAUTION

- After connecting, wrap the electro taps with vinyl tape.

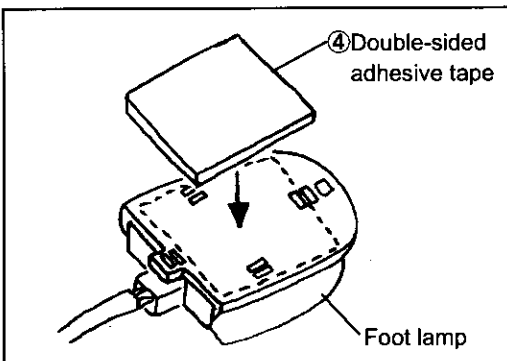


Timer installation

1. Connect the harness 5-pin connector to the timer ②.
2. Pass the tie wrap ⑥ through the round hole of the timer ② and bind the timer ② to the vehicle harness with the tie wrap ⑥.

Note

- If it is difficult to pass the tie wraps through the timer hole, widen the round hole with a round file or similar tool.

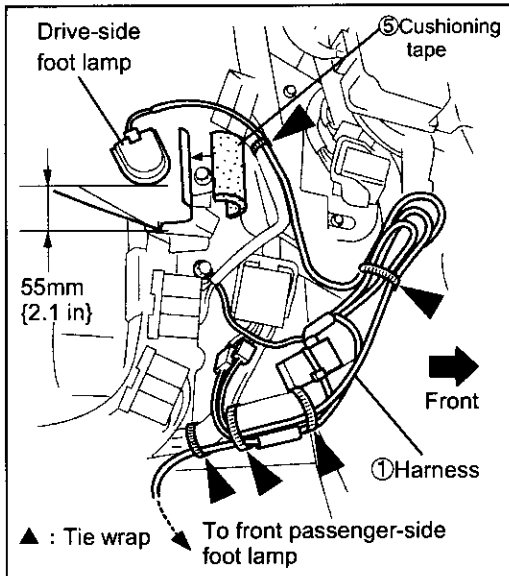


Adhering the double-sided adhesive tape

1. Adhere the double-sided adhesive tape ④ to the underside of the foot lamp (driver and front passenger sides).

CAUTION

- Degrease the double-sided adhesive tape adhesion area with isopropyl alcohol (IPA).



Drive-side foot lamp installation

Use the shorter lamp harness

1. Adhere the cushion tape ⑤ to the edge of the vehicle bracket.
2. Adhere the foot lamp to the position shown in the figure.

⚠ CAUTION

- Degrease the adhesion area with isopropyl alcohol (IPA).
- To allow removal of the lens when replacing a bulb, install the foot lamp with spaces for the fingers on each side of the foot lamp.

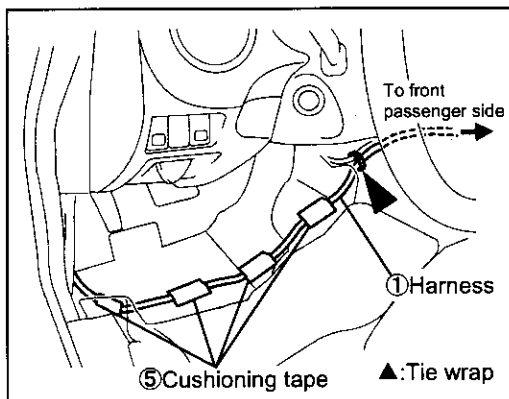
3. Bind the harness ① to the vehicle harness with the tie wraps ⑥ (5). Bundle any extra harness and bind it all together.

4. Pass the front passenger side foot lamp harness through the center console to the front passenger side.

Note

- If it is difficult to pass the harness to the front passenger side, remove the foot lamp lens and feed the harness through using a wire.

5. Secure the harness ① to the floor panel with the cushioning tape ⑤ (4).
6. Bind the harness ① to the vehicle harness in one location using a tie wrap ⑥.



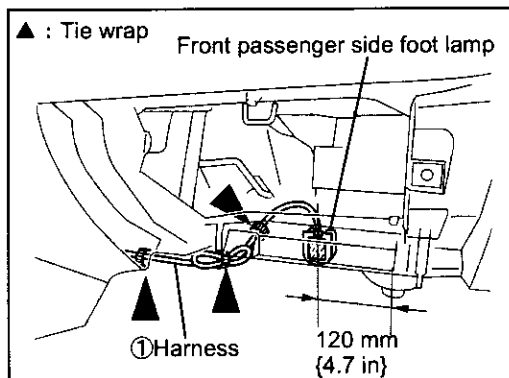
Front passenger side foot lamp installation

1. Adhere the foot lamp to the position shown in the figure.

⚠ CAUTION

- Degrease the adhesion area with isopropyl alcohol (IPA).

2. Bind the harness ① to the vehicle harness in three locations with the tie wraps ⑥ (3). Bundle any extra harness and bind it all together.



6 OPERATION CHECK

1. Disconnect the negative battery cable
2. Open the door and verify that the foot lamp illuminates.
3. Verify that the foot lamp goes out approx. 10 s after the door is closed.

- If there is no malfunction, reinstall the removed parts in "4. PART REMOVAL" in the reverse order of removal.

7 CONFIRMATION AFTER INSTALLATION

If there is no malfunction at "6. OPERATION CHECK", perform the following procedure:

1. Temporarily disconnect the negative battery cable.
2. Reconnect the negative battery cable.

⚠ CAUTION

When the battery is disconnected, the DSC indicator light will no longer operate.
(At this time, the DSC OFF indicator light flashes and the TCS/DSC operation indicator light illuminates.)

Perform the following procedure to enable the DSC operation.

1. Turn the ignition switch to the ON position.
2. Turn the steering wheel completely to the right and then completely to the left.
3. Verify that the DSC OFF indicator light goes out.
4. Turn the ignition switch off and once again to the ON position.
5. Verify that the TCS/DSC operation indicator light goes out.

If the TCS/DSC operation indicator light and the DSC OFF indicator light do not go out even after the ignition switch is turned to the ON position, contact an Authorized Mazda Dealer.

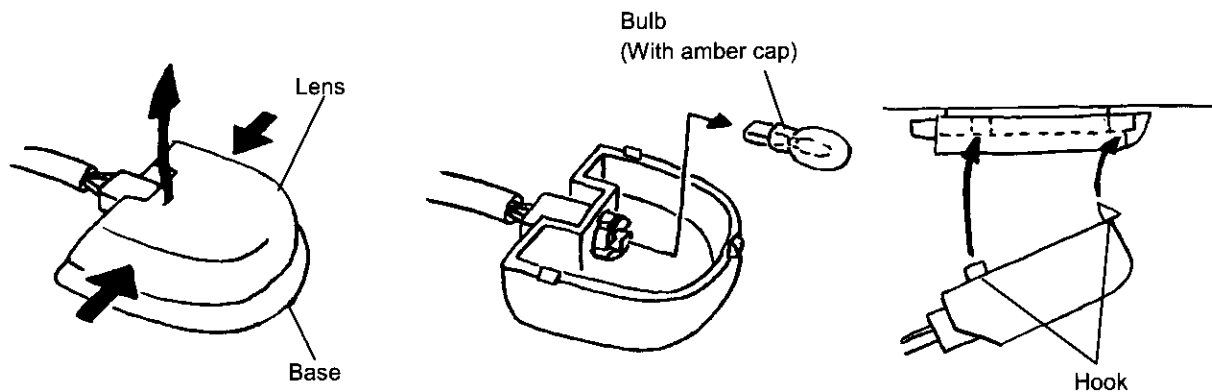
⚠ CAUTION

When the battery is disconnected, the windows will not fully open and close automatically.

Perform the following procedure to resume operation:

1. Turn the ignition switch to the ON position.
2. Press the switch and fully open the window.
3. Pull up the switch and continue holding for about 2 seconds to fully close the window.

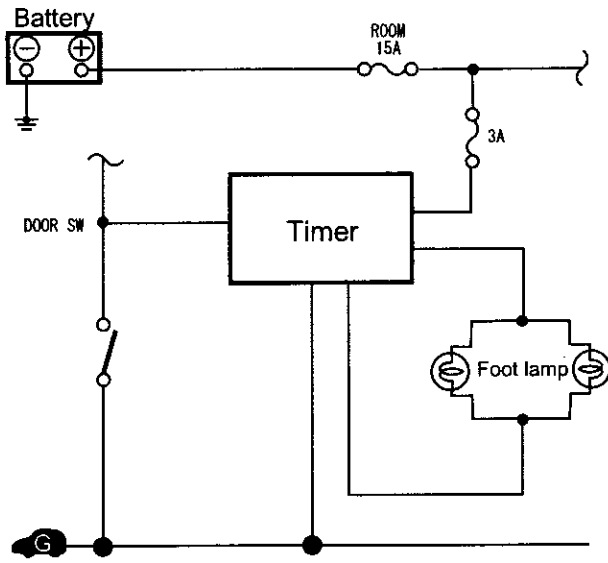
8 BULB REPLACEMENT



1. Squeeze both sides of the foot lamp lens to remove it.
2. Pull out the bulb.
3. Insert the replacement bulb.
4. Install the lens by setting the hook on the front end of the lens into the base hole first.

9

CIRCUIT DIAGRAM



INSTALLATION INSPECTION SHEET

Mazda RX-8

FOOT LAMP

F151 V7 050

⚠ CAUTION

After installing the vehicle parts, check for dirt. Clean any dirty parts.

Inspection after installation

- Inspect the installed foot lamp and reinstalled parts for the following.

Inspection Parts	Inspection Items (○)			
	Clearance/Fit	Scratches/ Dirt/ Harness interference	Installation/ Tightening/ Engagement	Operation check
Foot lamp	○	○	○	○
Glove box	○	○	○	
Footrest	○	○	○	
Inner scuff plate (LH)	○	○	○	
Front side trim (LH)	○	○	○	
Engine cover		○	○	
Battery cover		○	○	
DSC OFF indicator				○
Auto-opening/closing the window				○

Confirmation items

No.	Items	Check
1	After installing the foot lamp and reinstalling the removed parts, operate the accelerator and brake pedals and other components that have moving parts to verify that there is no interference with the foot lamp.	
2	Verify that the existing functions of the vehicle operate correctly.	

Date				
VIN.				
Approved		Checked		Person in Charge

The term of validity for this sheet: 3 months