





# GENUINE FOG LIGHT

## INSTALLATION AND USER'S INSTRUCTIONS

Thank you for purchasing a genuine Mazda accessory.  
Before removal and installation, be sure to thoroughly read these instructions.  
Please read the contents of this booklet in order to properly install and use the fog light.  
Your safety depends on it.  
Keep these instructions with your vehicle records for future reference.

### **WARNING**

- There are several  **WARNING** and  **CAUTION** sections in this booklet concerning safety when installing or removing the fog light. Always read and follow them in order to prevent injuries, accidents, and possible damage to the vehicle.
  -  **WARNING:** Indicates a situation in which serious injury or death could result if the warning is ignored.
  -  **CAUTION:** Indicates a situation in which bodily injury or damage to the vehicle could result if the caution is ignored.
- Do not modify the fog light.
- Do not install the fog light in any way other than described in the following instructions.
- If in any doubt, please ask your Mazda dealer to install the accessory in order to prevent errors in installation.
- If you have any questions about the use of the accessory, ask your Mazda dealer for proper advice before using it.
- Mazda and its suppliers are not responsible for injuries, accidents, and damage to persons and property that arise from the failure of the dealer or installer to follow these instructions.
- To ensure safety and reliability of the work, installation, removal and disposal work must be carried out by an Authorized Mazda Dealership.
- Be careful not to lose removed parts, and be sure that they are kept free from scratches, grease or other dirt.

**PART NAME: FOG LIGHT**  
**PART NUMBER: USA: FE01 V7 220 (Clear)**  
**FE02 V7 220 (Multi coating)**  
**FE03 V7 220 (Blue)**  
**ECE: FE15 V7 220 (Clear)**  
**FE16 V7 220 (Multi coating)**  
**FE17 V7 220 (Blue)**  
**VEHICLE: Mazda RX-8**

#### NOTE

##### To the dealer

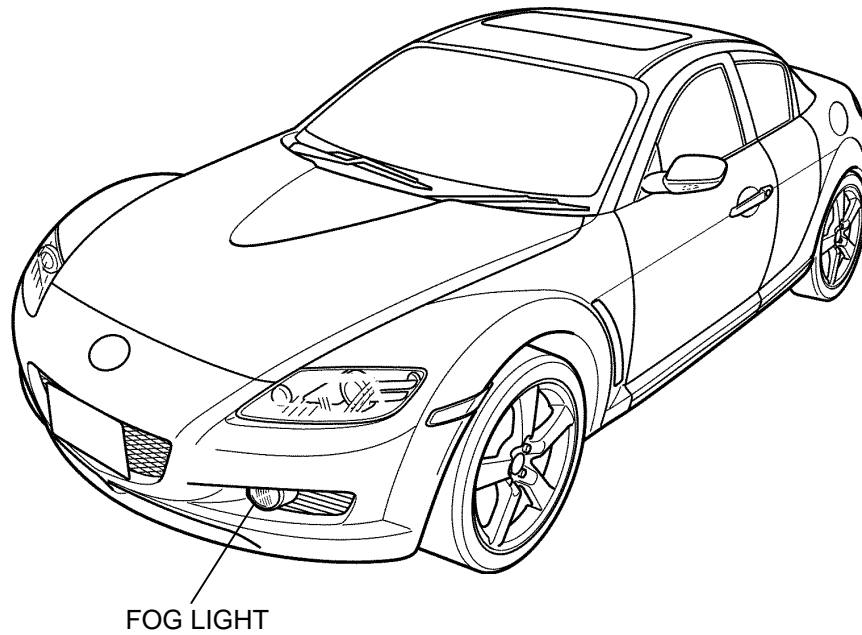
- Please turn over these instructions to the customer after installation.

##### To the customer

- Keep these instructions after installation. The instructions may be necessary for installing other optional parts or removal of this accessory.
- Should the vehicle or this accessory be resold, always leave these instructions with it for the next owner.

# 1

## INSTALLATION VIEW

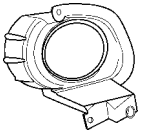
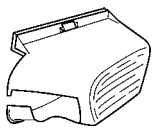
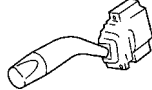




# 2

## PARTS

### Note

- Verify that the kit includes all the following parts and that the parts are not dirty, scratched, or damaged.

Part	Part name	Qty.	Part	Part name	Qty.	Part	Part name	Qty.
	Fog light (RH,LH)	1 ea.		Fog light hole cover (RH only)	1		Light switch (built into fog light switch)	1
	Tapping screw	6		Installation and user's instructions	1			

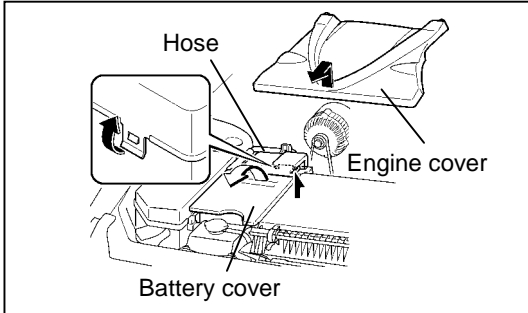
### 3 BEFORE INSTALLATION

#### REQUIRED TOOLS

Prepare the following tools or items before installation.

★Phillips screwdriver (Stubby, Long)    ★Fastener remover    ★Mat    ★Flathead screwdriver

#### Battery cover removal



1. Remove the engine cover.
2. Remove the hose from the battery cover.
3. Lift up the rear of the battery cover and remove it.

#### ⚠ WARNING

<p>When the negative battery cable is connected during operation, it may cause electric shock or other personal injuries. Disconnect the negative battery cable before removal/installation.</p>	<p>When connecting/disconnecting connectors, grasp the connectors, not the wires. Otherwise a short, an accident from poor contact or fire may occur.</p>	<p>Do not pull the harness with excessive force. Doing so can cause a breakage or a short-related accident, as well as an electrical short or fire.</p>	<p>Secure the harness with the band (part included) so it doesn't dangle. If not, it may cause a short, accident, or fire.</p>

#### ⚠ CAUTION

<p>Put the removed parts and the parts in the kit on the protective sheet to prevent scratches.</p>	<p>Using improper tools may cause damage and or broken parts. Use the correct tool for the job.</p>	<p>Be sure to cover the vehicle body with protectors or mats to prevent stains, scratches and damage when removing/installing the vehicle parts.</p>	<p>Using nonstandardized bulbs can cause damage. Verify that the head light bulbs are standardized.</p>

#### ⚠ WARNING

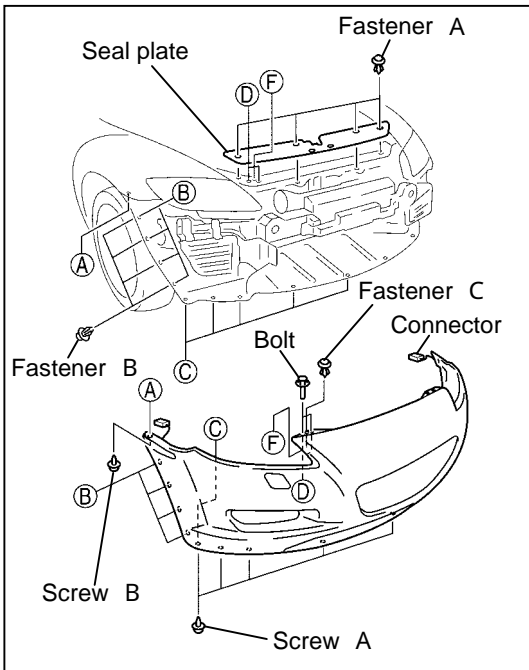
- When removing/installing the parts, park the vehicle on level ground and apply the side brake securely. Be sure to turn the ignition switch off, otherwise the vehicle can move, causing personal injury or vehicle damage.

#### Note

- When the negative battery cable is removed, the clock, radio, trip meters and other memories will be erased. Before performing work, record the content of the memory.

# 4

## PART REMOVAL



### Front bumper removal

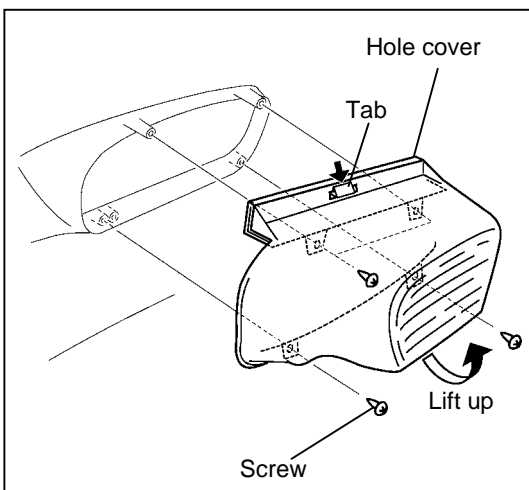
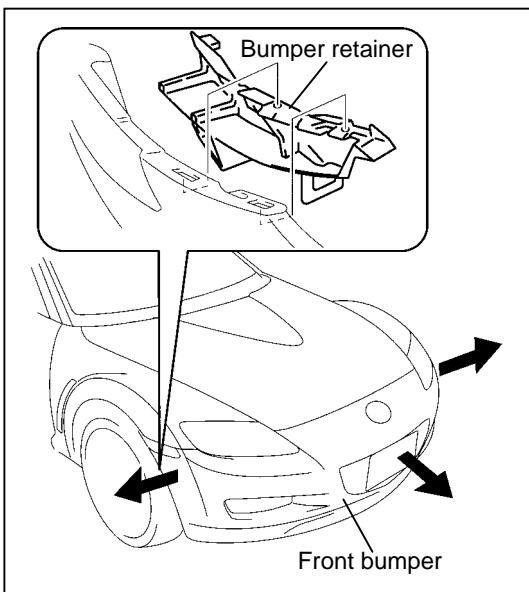
#### ⚠ CAUTION

- Be careful not to damage or lose removed parts during removal.

1. Remove fasteners A (6) and remove the seal plate.
2. Remove screws A (10).
3. Partially pull back the mudguard and remove screws B (1 each side).
4. Remove the fasteners B (4 each side).
5. Remove the bolts (2 each side).
6. Remove the fasteners C (2).
7. Disconnect the side turn light connectors (RH, LH).
8. Pull the rear ends of the front bumper (wheel arch area) outward and detach the front bumper from the bumper retainers.

#### ⚠ CAUTION

- Place the removed front bumper on a protective sheet so that it does not get scratched.



### Hole cover removal

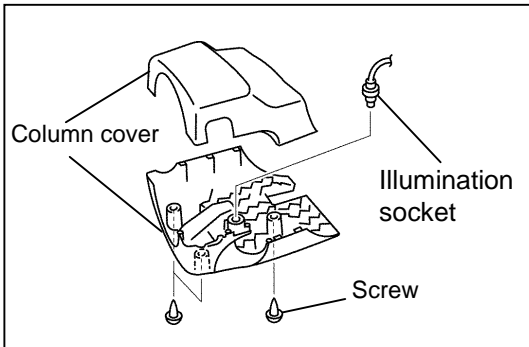
1. Remove the hole cover lower screws (2).
2. Disengage the tab and lift up the hole cover.
3. Remove the screws (2), then remove the hole cover.

#### ⚠ CAUTION

- The removed screws (2) are necessary for reinstallation. Be careful not to lose them.

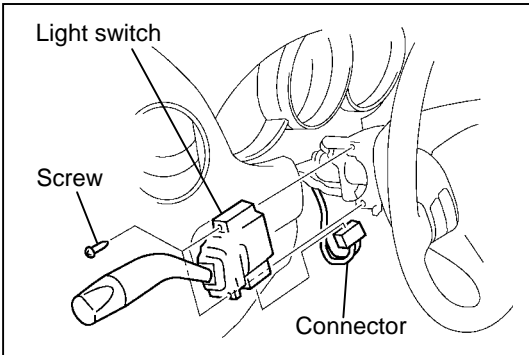
#### Note

- The removed screws (2) and the removed hole cover are not used for the installation of this accessory.



### Column cover removal

1. Remove the screws (3).
2. Remove the upper column cover.
3. Remove the lower column cover.
4. Remove the illumination socket.



### Light switch removal

1. Remove screws (2).
2. Disconnect the connector, and remove the light switch.

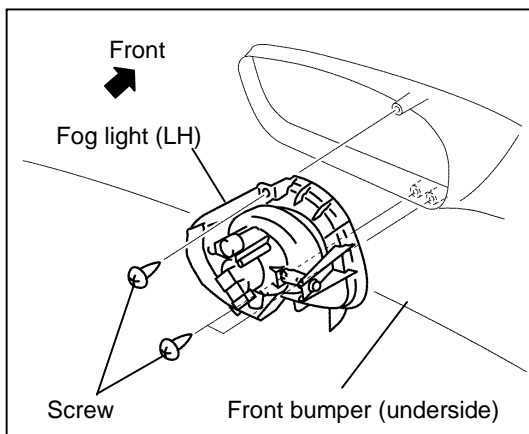
#### ⚠ CAUTION

- The removed screws (2) are necessary for reinstallation. Be careful not to lose them.

#### Note

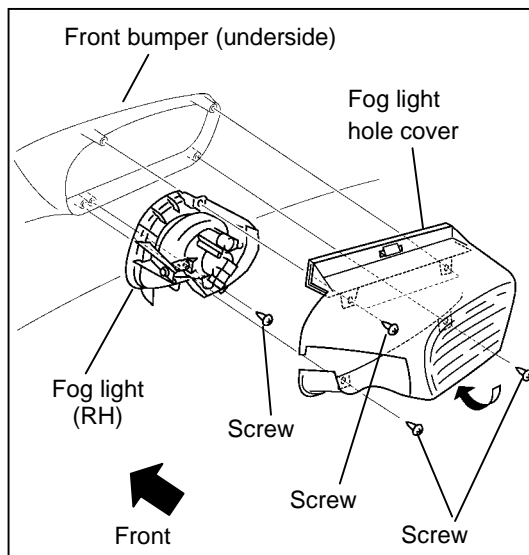
- The removed light switch is not used for this accessory.

## 5 FOG LIGHT INSTALLATION



### Fog light (LH) installation

1. Align fog light (LH) with the front bumper and install the screws (3).



### Fog light (RH) installation

1. Secure the lower side of the fog light to the front bumper using the screw (1).
2. Install the upper side of the fog light hole cover (kit accessory) using the screws (2).

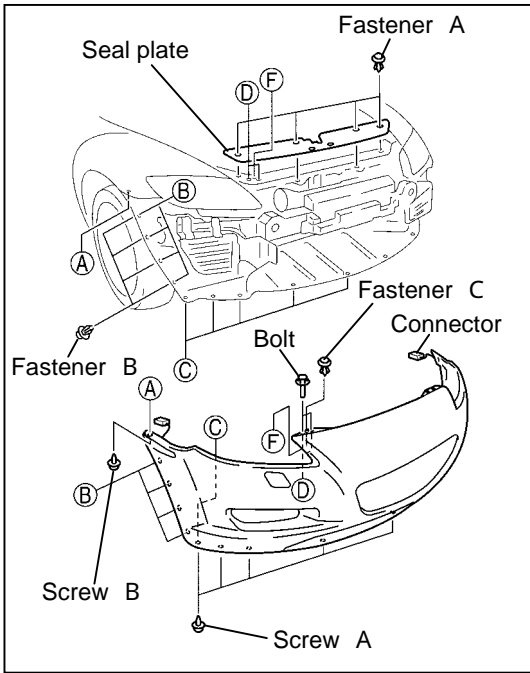
#### Note

- One of the screws tightens both the fog light and the fog light hole cover.

3. Cover the fog light with the fog light hole cover and secure the lower side of the fog light hole cover with the screws (2).

#### Note

- One of the screws tightens both the fog light and the fog light hole cover.



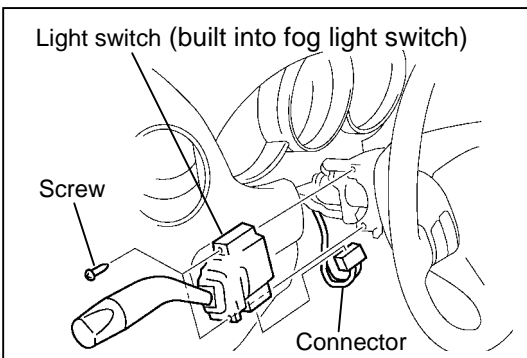
### Front bumper installation

1. Connect fog light cord connectors to the fog lights.
2. Connect the connectors to the side turn lights.
3. Install the front bumper in the reverse order of removal.

**Tightening Torque: Bolt: 7.80 - 11.8 N·m**  
**{79.6 - 120 kgf·cm, 57.6 - 87.0 in·lbf}**

#### ⚠ CAUTION

- If the bolts are tightened with non-specified torque, the front bumper might become damaged or fall off. Make sure to tighten the bolts and screws to the specification.



### Light switch (built into fog light switch) installation

1. Connect the connector to light switch (built into fog light switch).
2. Install light switch (built into fog light switch) to the vehicle with the screws (2).

## 6 OPERATION CHECK

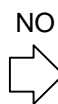
- After verifying the harness routing, connect the negative battery cable.
- Check the operation with the following procedure:

#### < Inspection procedure >

1. Verify that the headlights illuminate when the light switch is turned to the headlight position.
2. Verify that both the high and low beam illuminate.
3. Verify that the turn lights flash (left/right) when the turn light lever is operated.
4. Verify that the fog lights illuminate when the fog light switch is turned on after the light switch is turned to the TNS or headlight position.
5. Verify that the fog lights turn off when the fog light switch or the light switch is turned off.

#### < Inspection area if the fog lights do not operate >

- Each harness for pinching
- Each connector for poor connection.

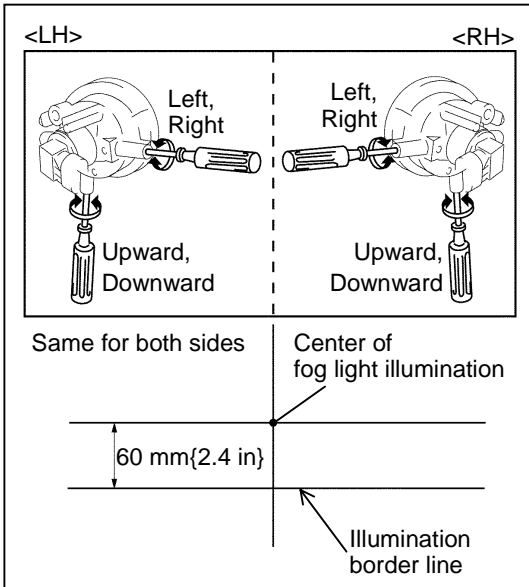
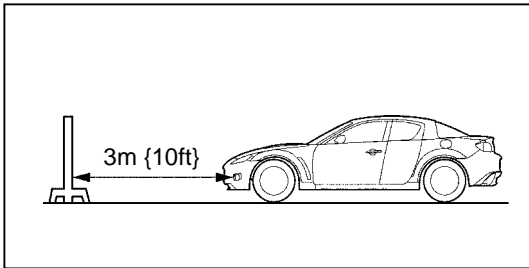


YES



The operation check is complete if there is no malfunction.

## 7 FOG LIGHT AIMING



1. Adjust the tire air pressure to the specification.
2. Position the unloaded vehicle on a flat, level surface.
3. Seat one person in the driver's seat.
4. Position the vehicle 3 m {10 ft} away from and facing the white screen.
5. While adjusting one fog light, cover the other with a cloth.
6. Start the engine and make sure that the battery is fully charged.
7. Turn the fog lights on.
8. Partially peeling off the mud guard, turn the aiming adjustment screw behind the fog light to adjust the illumination border line as shown in the figure.

### Note

- Loosen the aiming adjustment screw first, then tighten it. If the screw is tightened first, then loosened, it will continue to loosen when the vehicle is in motion and may cause the front fog light to become misaligned.

## 8 CONFIRMATION AFTER INSTALLATION

If there is no malfunction at "6. Operation check", perform the following procedure:

1. Temporarily disconnect the negative battery cable.
2. Reconnect the negative battery cable.

### ⚠ CAUTION

When the battery is disconnected, the DSC indicator light will no longer operate.

(At this time, the DSC OFF indicator light flashes and the TCS/DSC operation indicator light illuminates.)

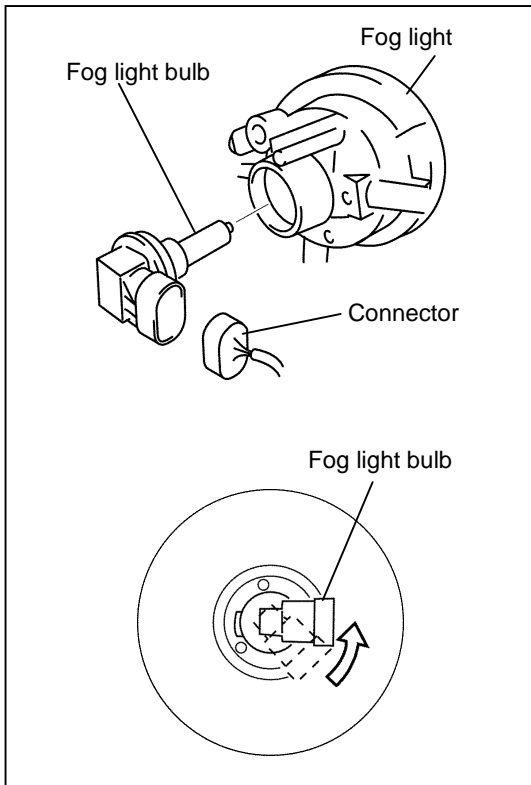
Perform the following procedure to enable the DSC operation.

1. Turn the ignition switch to the ON position.
2. Turn the steering wheel completely to the right and then completely to the left.
3. Verify that the DSC OFF indicator light goes out.
4. Turn the ignition switch off and once again to the ON position.
5. Verify that the TCS/DSC operation indicator light goes out.

If the TCS/DSC operation indicator light and the DSC OFF indicator light do not go out even after the ignition switch is turned to the ON position, contact an Authorized Mazda Dealer.

# 9

## FOG LIGHT BULB REPLACEMENT



### ⚠ WARNING

- If a non-specified fog light bulb is used, it might cause a fire. Make sure to use the specified fog light bulb.

### ⚠ CAUTION

- For fog light bulb replacement, consult your dealer.
- Use fog light bulb.  
Part number: 99703 1550 [H1 12V 55W]
- When replacing a fog light bulb, do not touch the glass part of the fog light bulb. Otherwise, bulb life may be decreased.
- Before replacing a fog light bulb, make sure to turn off the light and let the bulb cool, otherwise, you may get burned.

1. Disconnect the negative battery cable.
2. Remove the front bumper.
3. Remove the screws (2) and lift up the fog light hole cover (only for the right side).
4. Disconnect the connector from the fog light.
5. Turn the bulb socket counterclockwise to remove it.
6. Replace the fog light bulb.
7. Install the bulb socket turning it clockwise.
8. Install the front bumper in the reverse order of removal.



# INSTALLATION INSPECTION SHEET

**Mazda  
RX-8**

## FOG LIGHT

**USA:**

**FE01 V7 220 (Clear)**

**FE02 V7 220 (Multi coating)**

**FE03 V7 220 (Blue)**

**EC:**

**FE15 V7 220 (Clear)**

**FE16 V7 220 (Multi coating)**

**FE17 V7 220 (Blue)**

### A. Inspection items after installation

- Inspect the installed/reinstalled parts for the following items.

Inspection Parts	Inspection Items ( )				
	Clearance/Fit	Scratches/ Dirt/ Harness interference	Installation/ Tightening/ Engagement	Operation check	Adjustment
Fog light (RH,LH)					
Light switch					
Fog light harness					
Front bumper					
Side turn light					
Fog light hole cover					
Battery over					
Engine cover					
DSC OFF indicator					

Date _____, _____, _____					
VIN. _____					
Approved		Checked		Person in charge	

The term of validity for this sheet: 3 months