



GENUINE ACCESSORIES

SEALANT REMOVAL INSTRUCTIONS

APPLICABLE PART NUMBER

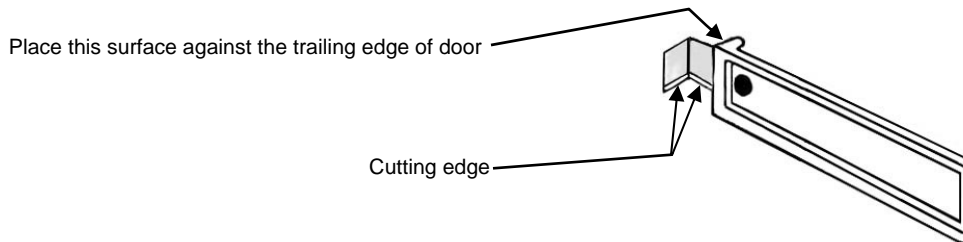
0000-89-F11-XX
0000-89-D15-XX
0000-89-K07-XX

Sealant Removal Tool

APPLICABLE MODELS:

MAZDA 2003
(MPV, MIATA & RX-8)

Tool Required



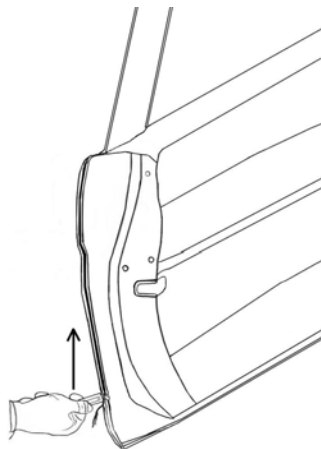
0 Before Installation (PRECAUTIONARY NOTES:)

- The sealant removal tool is designed to remove just the correct amount of sealant material from the interior surface of all vehicle doors - prior to the installation of the door edge guards.
- Position the tool so that the back of the metal cutting blade is flat against the inside surface of the door, with the tool's "widened" end-surface against the trailing edge of the door. Remove the sealant by pulling up or pushing down, as described below.
- Apply Mazda touch-up paint to any exposed, white, surface, allowing it to dry for approximately 15 minutes before installing the door edge guards.

1

The cutting surface of the Sealant trim tool is such that you must trim from the bottom of the door, up, on the left door.

LEFT DOOR



2

On the Right Door, you must start at the top and trim down, as shown.

RIGHT DOOR

Edge of door

