



Genuine Accessories

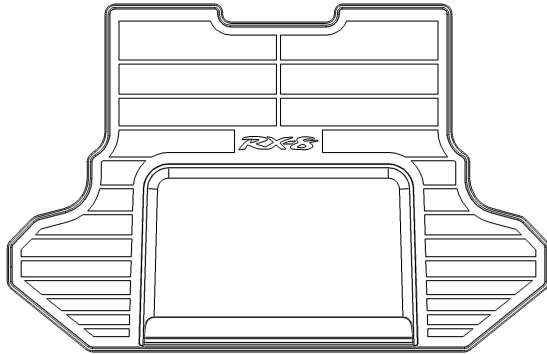
Installation Instructions

Part Number:
0000 8B K04

Cargo Tray

Applicable Models:
2004 > Mazda RX-8

Package Contents



Cargo Tray

Tools Required

None

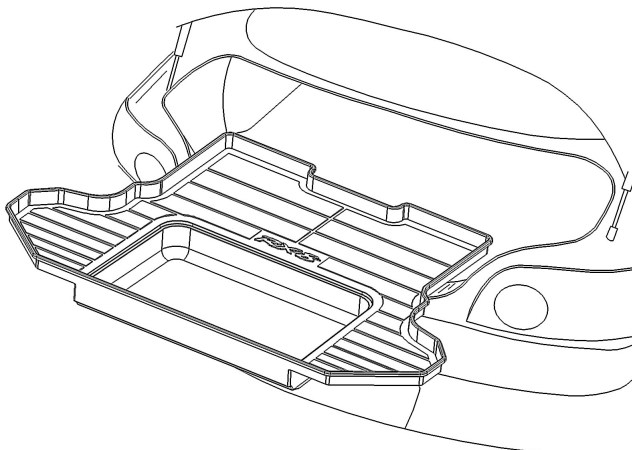
0 Before Installation

A. Clean cargo area prior to installing tray.

B. It is important that the cargo area in the vehicle is not wet or damp when installing the tray, as mildew may result.

1 Install Tray

A. Place the tray in trunk of vehicle, contour of tray will match interior shape of cargo area.



2 After Installation/ Troubleshooting

- A. Tray may not lay completely flat upon installation. This is only temporary. Weighing down the tray with a heavy object will help it conform to its natural shape.
- B. To maintain the appearance and finish of your tray, clean as required with a cloth and a mild soap & water solution.
- C. Your cargo tray is designed to transport normal cargo contents. Flammable or dangerous materials should not be transported in your vehicle at any time. If any corrosive chemicals are spilled on your cargo tray it should be cleaned as described in step 2B.