

Mazda[®]
GENUINE ACCESSORIES
INSTALLATION INSTRUCTIONS

PART NUMBER:
0000-8K-K05

CARGO NET

APPLICABLE MODELS:
2004> MAZDA RX-8

PACKAGE CONTENTS

Cargo Net
Installation Instructions
Hardware Kit



PART NUMBER:
0000-8K-K09

TOOLS REQUIRED

Small flat-tip screwdriver

1 Remove Trim Plugs

1. Open trunk
2. Locate 4 plastic fasteners on trim inside trunk
3. Using a small screwdriver, remove the plastic fasteners by prying out the center (Fig. 1)

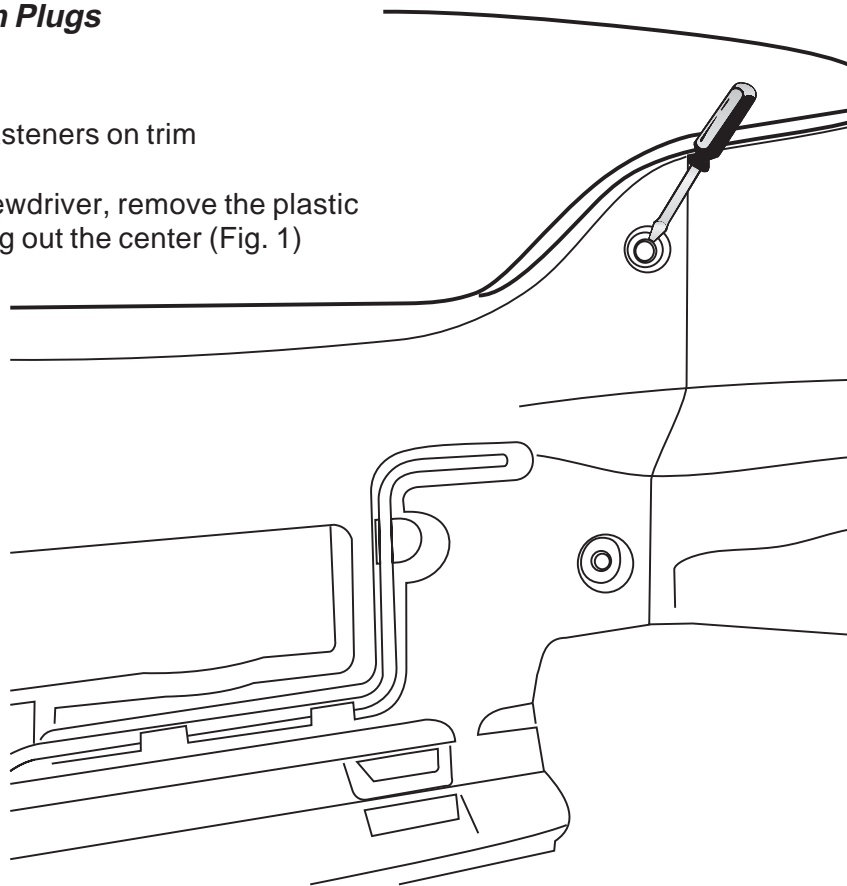
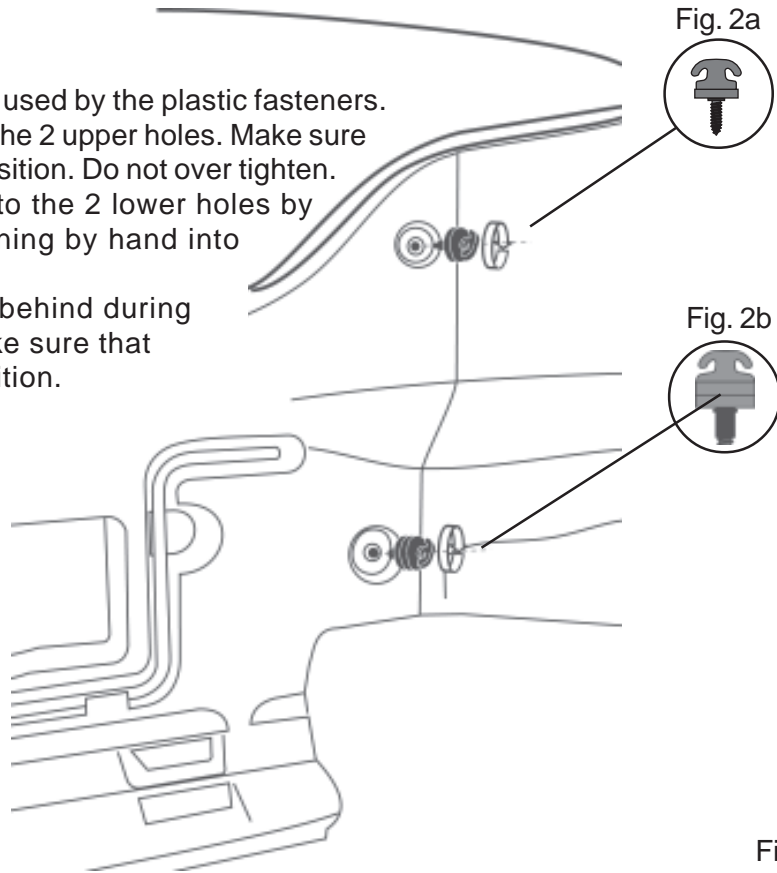


Fig. 1

2 *Install Hardware*

1. Locate 4 holes inside trunk that were used by the plastic fasteners.
2. Install upper T-anchors (Fig. 2a) into the 2 upper holes. Make sure that the T-anchors are in a vertical position. Do not over tighten.
3. Install lower T-anchors (Fig. 2b) into the 2 lower holes by firmly pushing inward while tightening by hand into the plastic only.

Supporting the plastic panel from behind during installation may be necessary. Make sure that the T-anchors are in a vertical position. Do not over tighten.



3 *Install Cargo Net*

1. Install cargo net to T-anchors as shown making sure the handle at center faces inward (Fig. 3).

