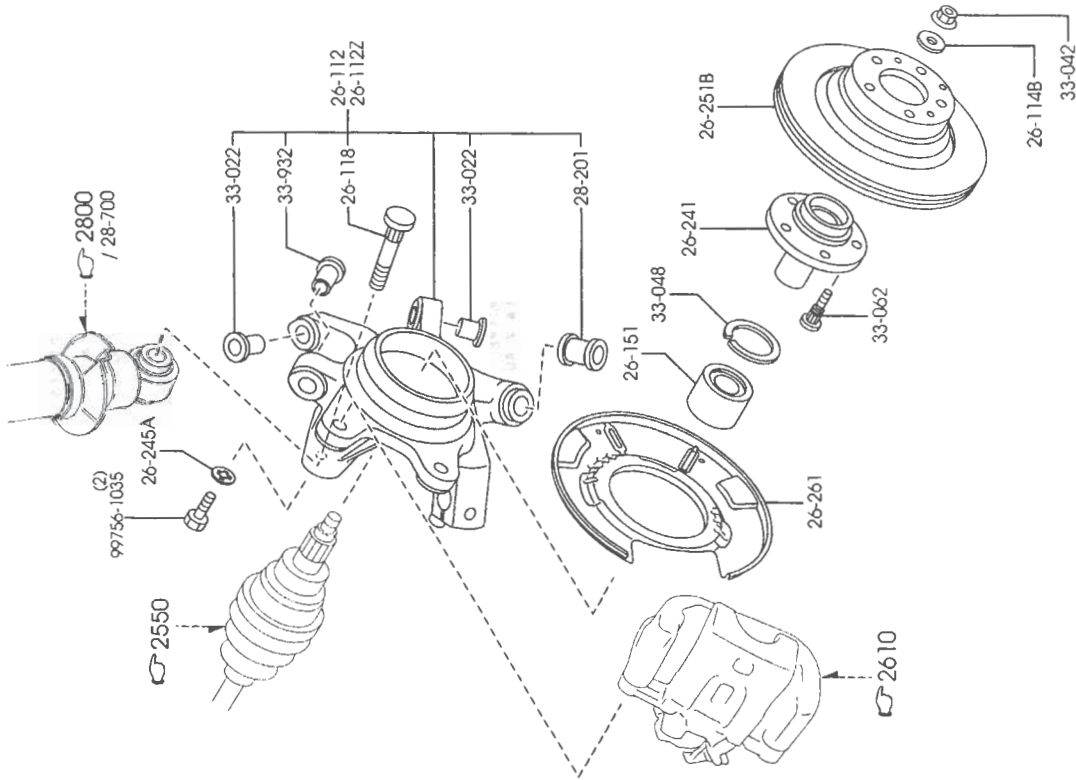


2600A -1 REAR AXI

PART NO.	QTY	MODEL/RESTRICTION	MODEL/RESTRICTION	MODEL/RESTRICTION	PROV-T0
26-112 F151-26-11X	1	SUPPORT(R),HUB	MOYEU(D),SUPPORT		
26-112Z F151-26-12X	1	SUPPORT(L),HUB	MOYEU(G),SUPPORT		
26-114B J001-26-114	2	WASHER,PLAIN	RONDELLE		
26-118 F151-26-118	2	CONE,SPLIT	CONE		
26-151 F151-26-151	2	BEARING,WHEEL	ROULEMENT		
26-241 F151-26-241A	2	FLANGE,REAR AXLE	BRIDE,PONT AR		
26-245A F151-26-245	4	WASHER	RONDELLE		
26-251B F151-26-251	2	PLATE,DISC	PLAQUE,DISQUE		
26-261 F151-26-261A	2	COVER,DUST	CACHE,POUSSIERE		
28-201 F151-28-430	2	BUSH,RUBBER-TRAILING LINK	COUSSINET,CAOUT.-LIA		
33-022 F151-33-024	4	BUSH	BUSELURE		
33-042 LA01-33-042B	2	NUT	ECROU		
33-048 GE4T-33-048	2	RING,RETAINING-DISC PLATE	BAGUE,RETENUE-PLAQUE DISQ		
33-062 B455-33-062	10	BOLT,HUB	BOULON,JEU		

CAT. AUF07-00

2600A REAR AXLE



A07