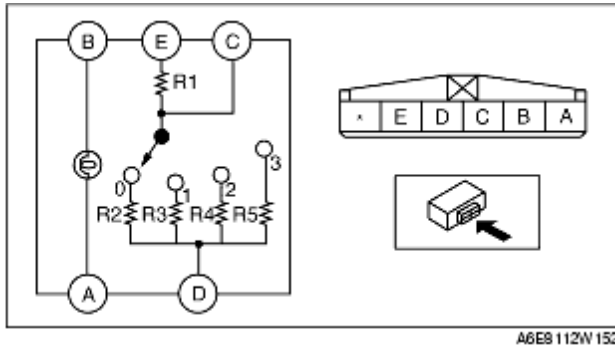


HEADLIGHT LEVELING SWITCH INSPECTION

BHE0918666F0W02

1. Remove the headlight leveling switch. (See [HEADLIGHT LEVELING SWITCH REMOVAL/INSTALLATION.](#))
2. Verify that continuity between the headlight leveling switch terminals is as indicated in the table.



• If not as indicated in the table, replace the headlight leveling switch.

○-○ : Resistance ○-○-○ : Bulb

Switch position	Terminal				
	E	C	D	B	A
0	○-R ₁ -○	○-R ₂ -○		○-○-○	
1	○-R ₁ -○	○-R ₃ -○		○-○-○	
2	○-R ₁ -○	○-R ₄ -○		○-○-○	
3	○-R ₁ -○	○-R ₅ -○		○-○-○	

R₁: 300 ohms R₂: 2,700 ohms R₃: 1,000 ohms
R₄: 470 ohms R₅: 300 ohms

CHU0918W171