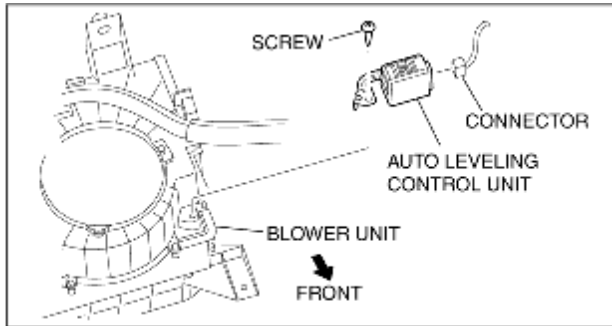


AUTO LEVELING CONTROL UNIT REMOVAL/INSTALLATION

BHE091851031W03

1. Disconnect the negative battery cable.
2. Disconnect the connector.



BHE0918W176

3. Remove the screw and then remove the auto leveling control unit.
4. Install in the reverse order of removal.