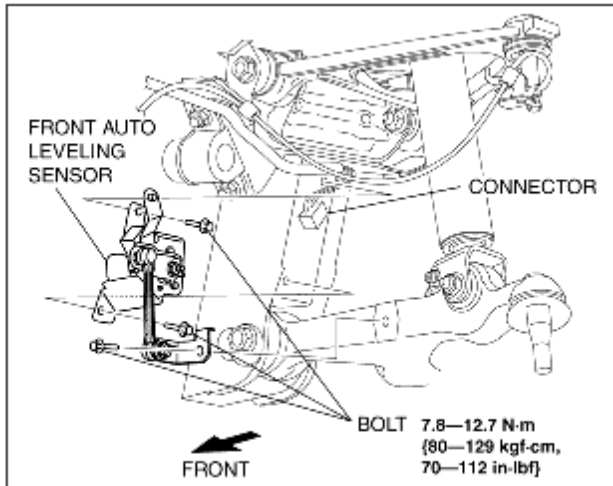


FRONT AUTO LEVELING SENSOR REMOVAL/INSTALLATION

BHE091851031W01

1. Disconnect the negative battery cable.
2. Jack up the vehicle and remove the wheel and tire.
3. Disconnect the connector.



CHU0918W173

4. Remove the bolts and then remove the front auto leveling sensor.
5. Install in the reverse order of removal.