

Service Bulletin

Mazda North American Operations
Irvine, CA 92618-2922



© 2010 Mazda Motor of America, Inc.

Subject: COOLANT LEVEL WARNING LIGHT COMES ON	Bulletin No: 01-040/10
	Last Issued: 07/13/2010

BULLETIN NOTE

- This bulletin supersedes the previous bulletin 01-006/09 issued on 02/10/09. The APPLICABLE MODEL(S)/VINS, REPAIR PROCEDURE, PART(S) and WARRANTY INFORMATION have been revised.
- Changes are noted below in Red beside the change bar.

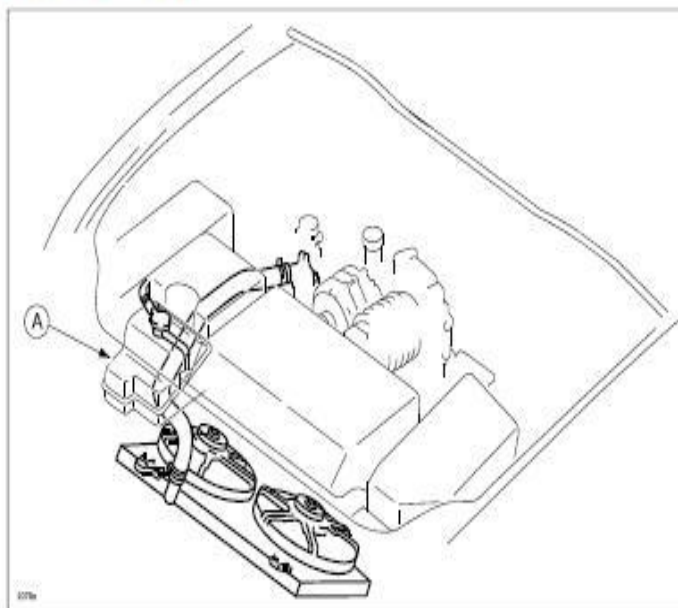
APPLICABLE MODEL(S)/VINS

- 2004-2009 RX-8 vehicles with VINs lower than JM1 FE**** ** 403405 (built before May 19, 2009)

DESCRIPTION

Some vehicles may experience the coolant level warning light comes on even though the correct amount of coolant is in the coolant reserve tank and radiator.

The coolant level sensor float in the coolant reserve tank (A) is deteriorated and absorbs coolant. The float gets heavy, and sinks, causing the the coolant level warning light comes on. As a mass-production change, the design of the float has been modified.



Customers having this concern should have their vehicle repaired using the following repair procedure.

REPAIR PROCEDURE

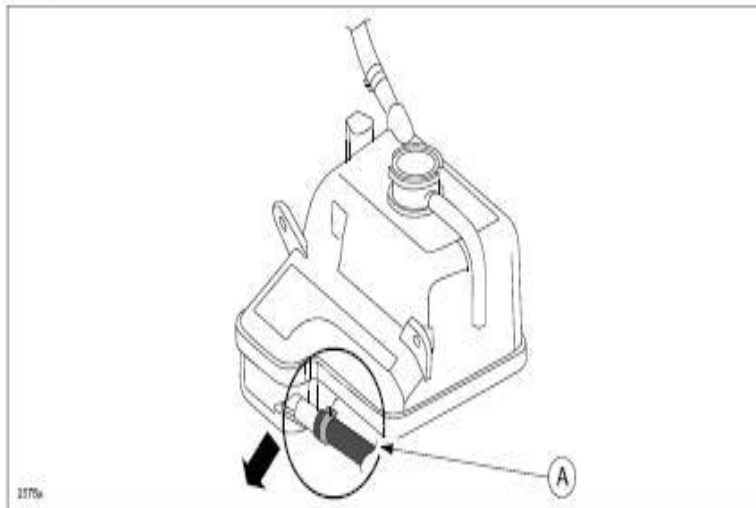
1. Verify customer concern.

WARNING:

- REMOVE AND INSTALL ALL PARTS WHEN THE ENGINE IS COLD, OTHERWISE THEY CAN CAUSE SEVERE BURNS OR SERIOUS INJURY.

2. Replace the coolant reserve tank (A) with a modified one. Refer to MS3 online service information or Workshop Manual section 01-12 - COOLANT RESERVE TANK REMOVAL/INSTALLATION [13B-MSP].

NOTE: When removing the water hose (A) from the reserve tank, remove from the radiator upper tank side first, then remove the reserve tank side. Otherwise the nipple on the radiator upper tank may break.



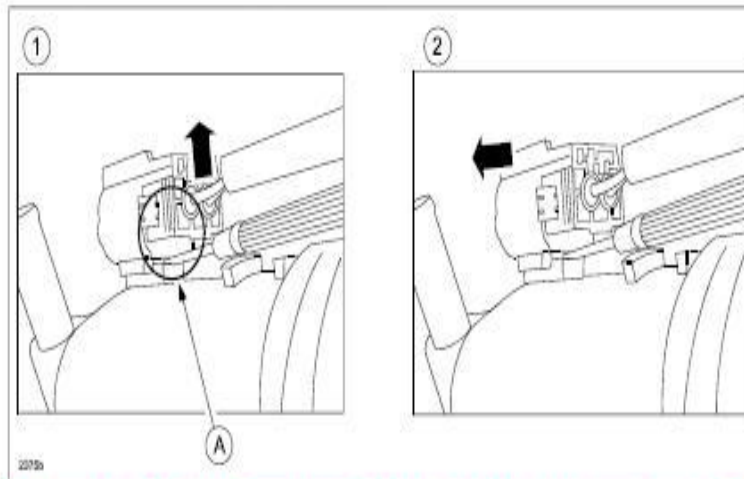
3. Replace the necessary parts according to this VIN range.
 - For VINs JM1FE***** 100000 to 157837 (built before July 1, 2005), replace the tank with sensor.
 - For VINs JM1FE***** 157838 to 403405 (built on or after July 1, 2005), replace the tank only.

Replacement procedure of "tank with sensor"

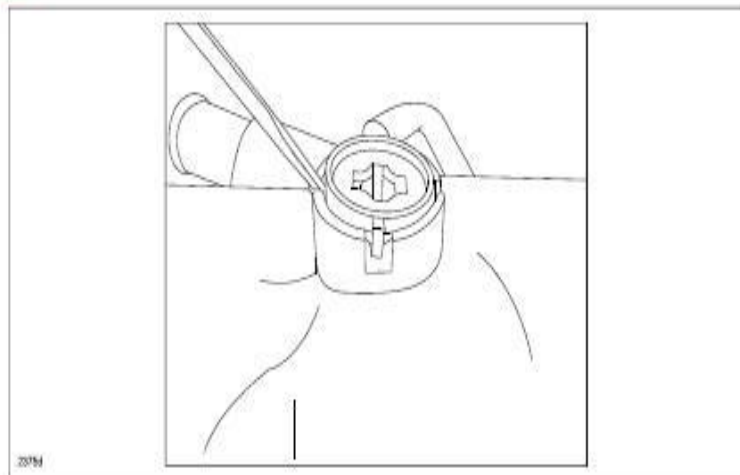
- a. Remove the cooling system cap from the coolant reserve tank; the cap will be reused.
- b. Install a new coolant reserve tank (with sensor), then install the coolant system cap.

Replacement procedure of "tank only"

- a. Remove the cooling system cap from the coolant reserve tank; the cap will be reused.
- b. Remove the sensor connector from the tank by (1) inserting a flat screwdriver underneath the connector and push up, then (2) slide the connector forward.



- c. Use a flat screwdriver to pry the sensor loose (on both sides) from the coolant reservoir; the sensor will be reused.



NOTE: If the sensor is hard to remove, cut the dotted line (A) as shown (both sides) using cutting pliers, then remove the sensor from the coolant reserve tank using a flat screwdriver (B).

Bulletin No: 01-040/10
© 2010 Mazda Motor of America, Inc.

Last Issued: 07/13/2010

- d. Install the sensor and attach the connector on the new coolant reserve tank.
 - e. Install the coolant system cap.
4. Install in the reverse order of removal.
 5. Verify repair.

PART(S) INFORMATION

Part Number	Description	Qty.	Notes
N3Y1-15-351	Coolant Reserve Tank	1	Tank only
N3H1-15-351G			Tank with sensor

WARRANTY INFORMATION

NOTE:

- This warranty information applies only to verified customer complaints on vehicles eligible for warranty repair.
- This repair will be covered under Mazda's New Vehicle Limited Warranty term.
- Additional diagnostic time cannot be claimed for this repair.

Warranty Type	A
Symptom Code	64
Damage Code	9C
Part Number Main Cause	N3Y1-15-351 or N3H1-15-351G
Quantity	1
Operation Number / Labor Hours:	XXE0BARX / 0.7 Hrs ("Tank only" replacement) XXE0B8RX / 0.6 Hrs ("Tank with sensor" replacement)