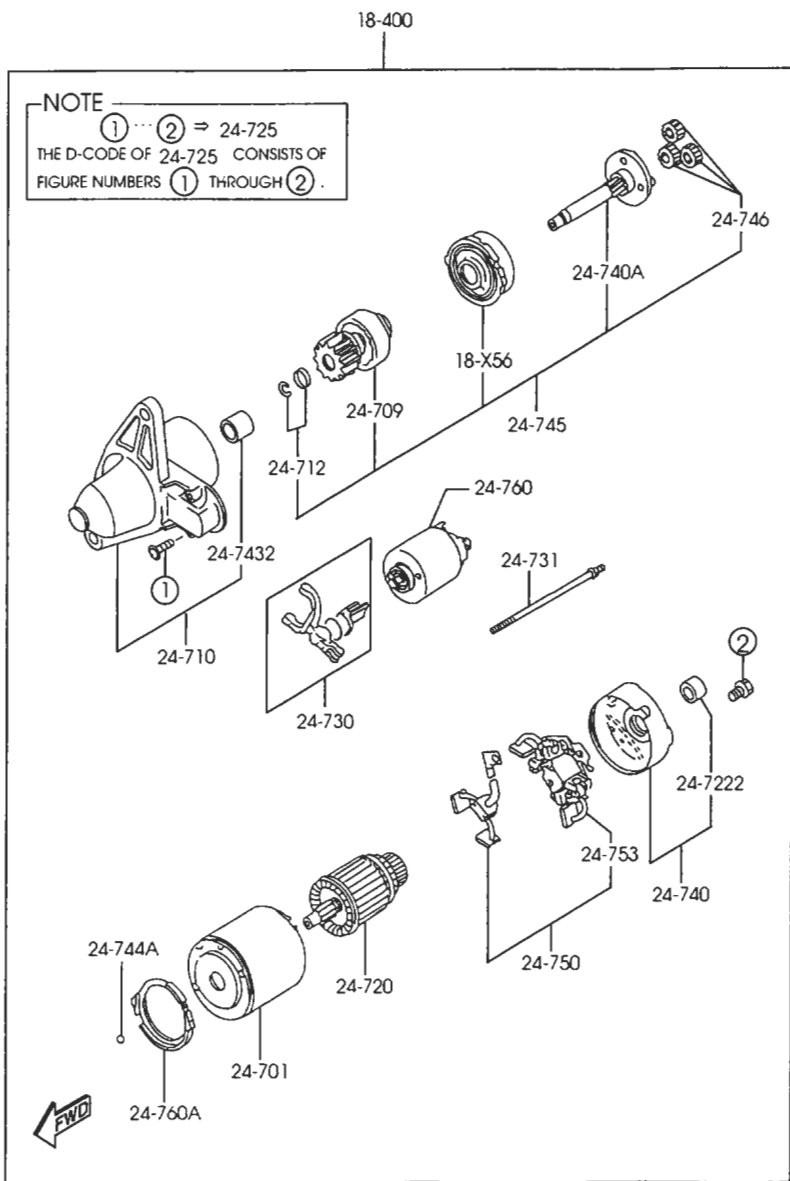


1840A STARTER  
(MT)



1840A -1 STARTER  
(MT)

PART NO.	QTY	MODEL/RESTRICTION	MODEL/RESTRICTION	MODEL/RESTRICTION	FROM-TO
18-X56 FP13-18-X56	1	GEAR, INTERNAL-STARTER MITSUBISHI	ENGRNAGE, INTER.- ARREU MITSUBISHI		
18-400 N3H1-18-400	1	STARTER	DEMARREUR		
24-701 N3H1-18-X65	1	YOKE	MANCHON		
24-709 N3H1-18-X25	1	PINION	PIGNON		
24-710 N3H1-18-X00	1	BRACKET, FRONT	ATTACHE, AV		
24-712 N326-18-X30	1	STOPPER SET MITSUBISHI	ARRETOIR, JEU MITSUBISHI		
24-720 YF47-18-X60	1	ARMATURE	INDUIT		
24-722 N326-18-X62A	1	SLEEVE, BEARING-REAR MITSUBISHI	ROULEMENT MITSUBISHI		
24-725 N3H1-18-X95	1	SCREW SET	JEU DE VIS		
24-730 JEB3-18-X05	1	LEVER MITSUBISHI	LEVIER MITSUBISHI		
24-731 E356-18-X90	2	BOLT SET	JEU DE BOULONS		
24-740 N3H1-18-X80	1	BRACKET, REAR	ATTACHE, AR		
24-740A KL36-18-X40	1	SHAFT	ARBRE		