

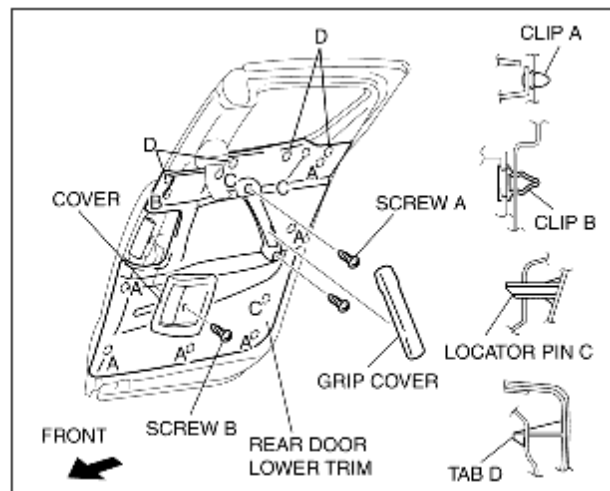


- + GENERAL INFORMATION
- + ENGINE
- + SUSPENSION
- + DRIVELINE/AXLE
- + BRAKES
- + TRANSMISSION/TRANSAXLE
- + STEERING
- + HEATER, VENTILATION & AIR COND.
- + RESTRAINTS
- + BODY & ACCESSORIES

REAR DOOR LOWER TRIM REMOVAL/INSTALLATION

BHE091768400W01

1. Remove the grip cover, then remove screws A.



2. Using a small flathead screwdriver, open the cap and remove screw B.

3. Remove the cover while rotating it to the front.

4. Detach clips A, B, locator pins C, and tabs D from the rear door using

a fastener remover.

5. Remove the rear door lower trim.

6. Install in the reverse order of removal.

CH00917W113