

Subject: SQUEAKING NOISE FROM SUNROOF	Bulletin No: 09-029/06
	Last Issued: 07/12/2006

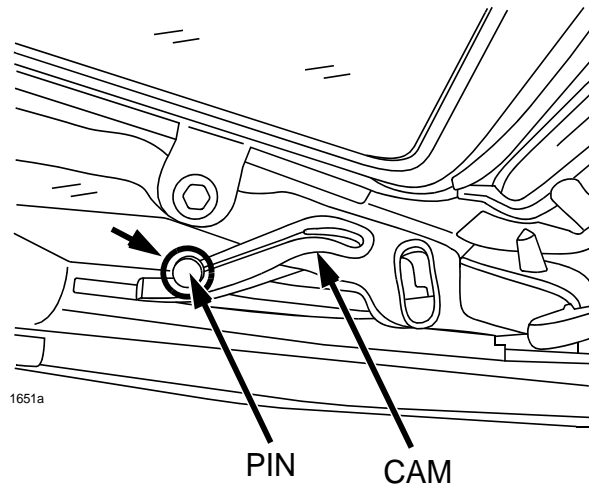
APPLICABLE MODEL(S)/VINS

2004-2006 Mazda RX-8 vehicles with VINs lower than JM1 FE**** **206829 (produced before May 25, 2006)

2006 Mazda5 vehicles with VINs lower than JM1CR**** **128630 (produced before May 25, 2006)

DESCRIPTION

Some vehicles may exhibit a squeaking noise from the sunroof rail or guide when driving with the sunroof open. This squeaking noise is most likely caused by a looseness due to wear between the sunroof guide pin and the cam groove. To prevent this wear, the material and shape of the sunroof guide pin has been modified.

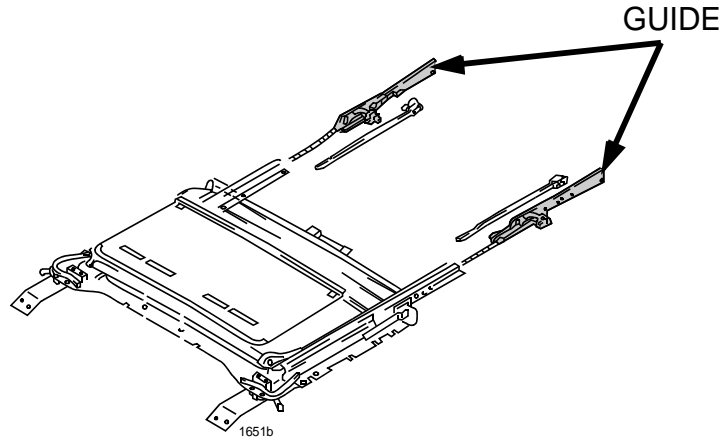


Customers having this concern should have their vehicle repaired using the following repair procedure.

REPAIR PROCEDURE

1. Verify customer concern.
2. Remove the sunroof according to Workshop Manual for Mazda5 (section 09-15 SUNROOF UNIT REMOVAL/INSTALLATION) or for Mazda RX-8 (section 09-15 SUNROOF UNIT REMOVAL/INSTALLATION).

3. Replace both sunroof guides with modified ones according to Workshop Manual for Mazda5 (section 09-15 SUNROOF UNIT DISASSEMBLY/ASSEMBLY) or for Mazda RX-8 (section 09-15 SUNROOF UNIT DISASSEMBLY/ASSEMBLY).



4. Install the sunroof according to Workshop Manual for Mazda5 (section 09-15 SUNROOF UNIT REMOVAL/INSTALLATION) or for Mazda RX-8 (section 09-15 SUNROOF UNIT REMOVAL/INSTALLATION).
5. Verify repair.

PART(S) INFORMATION

Part Number	Description	Qty.
F153-69-862A	Guide (R)	1
F153-69-863A	Guide (L)	1

WARRANTY INFORMATION

NOTE:

- This warranty information applies only to verified customer complaints on vehicles eligible for warranty repair. Refer to the Warranty Wizard for warranty term information.
- Additional diagnostic time cannot be claimed for this repair.

Warranty Type	A
Symptom Code	82
Damage Code	9C
Part Number Main Cause	SEE PART(S) INFORMATION
Quantity	1
Operation Number / Labor Hours:	XXB359RX / 2.6