

Subject: LOW OIL LEVEL WARNING LIGHT COMES ON WHEN LEVEL IS NOT LOW	Bulletin No: 01-013/04
	Last Issued: 4/14/2004

BULLETIN NOTE

This bulletin replaces 01-027/03 issued 11-17-2003. The PART(S) INFORMATION and WARRANTY INFORMATION have been revised.

APPLICABLE MODEL(S)/VINS

2004 RX8 - VINS: JM1FE17* *40000000 to 40111043

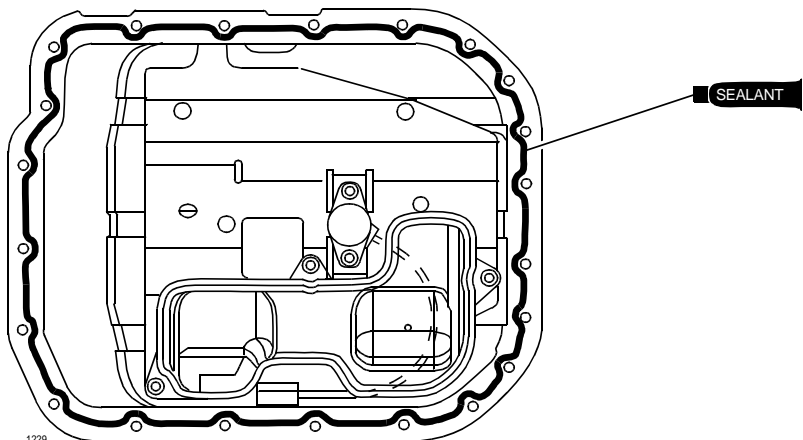
DESCRIPTION

The low oil level warning light may come on while driving with engine speed 4500 to 4800 RPM and the oil level is within specifications (1/4 above L on the dipstick).

All vehicles within the VIN range should have the oil pan replaced using the following procedure:

REPAIR PROCEDURE

1. Remove the oil pan.
 - a. Disconnect the oil level sensor electrical connector from the side of the oil pan.
 - b. Remove the oil pan bolts (22-10mm)
 - c. Separate the oil pan from the engine
2. Install the new oil pan and level sensors assembly.
 - a. Clean all silicone sealant, oil and dirt from the engine.
 - b. Clean all silicone sealant from the oil pan bolts.
 - c. Apply a **2.5 to 6.5mm (0.10 to 0.26in)** bead of silicone sealant to the oil pan as shown.
 - d. Install the oil pan bolts and torque to **8.8 to 11.8Nm (77.9 to 104.4 inlb)**.



Bulletin No: 01-013/04 © 2004 Mazda Motor of America, Inc.	Last Issued: 4/14/2004
--	-------------------------------

3. Connect the oil level sensor electrical connector to the side of the oil pan.
4. Fill the engine with oil.
5. Verify Repair.

PART(S) INFORMATION

Part Number	Description	Qty.
N3H8-10-4AXA	Oil pan with oil level sensor	1
8527-77-739	Silicone sealant	1

WARRANTY INFORMATION

Note: This information applies to verified customer complaints on vehicles covered under normal warranty. Refer to the SRT microfiche for warranty term information.

Warranty Type	A
Symptom Code	65
Damage Code	97
Part Number Main Cause	N3H8-10-4AXA
Quantity	1
Operation Number / Labor Hours:	D0201XRX / 1.1

SILICONE SEALANT REIMBURSEMENT

It is recommended that the dealer use part number 8527-77-739, Silicone Sealer to seal the Oil Pan. One tube of this sealer is enough to complete the repair of two vehicles. To claim reimbursement for the amount of silicone sealer used input a sublet on the engine repair claim using the information listed below.

Sublet Invoice Number	SEALX
Sublet Type Code	"X"
Sublet Amount	\$14.00