

© 2004 Mazda Motor of America, Inc.

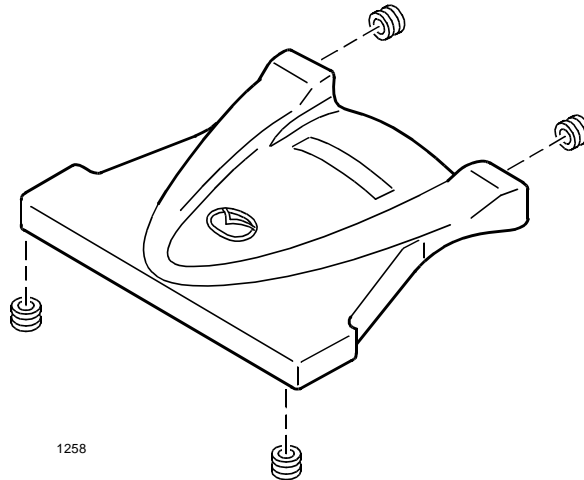
Subject: ENGINE COVER GROMMETS MISSING	Bulletin No: 01-001/04
	Last Issued: 3/29/2004

BULLETIN NOTE

This bulletin supercedes last issued 01/15/2004. The WARRANTY INFORMATION has been revised.

APPLICABLE MODEL(S)/VINS

2004 RX8 - Below VIN: JM1FE17**40124611 built before 11-12-2003



DESCRIPTION

Engine cover grommets may become loose and fall off. A revised engine cover grommet (larger diameter) is available to correct this concern. Vehicles within the VIN range with this condition should be repaired using the procedure below.

REPAIR PROCEDURE

1. Remove the engine cover.
2. Replace missing grommets with a revised grommet.
3. Adjust the position of the engine cover and reinstall making sure all grommets are seated properly.
4. Verify repair.

PART(S) INFORMATION

Part Number	Description	Qty.
N3H1-13-323A	Grommet	1

WARRANTY INFORMATION

Note: This information applies to verified customer complaints on vehicles covered under normal warranty. Refer to the SRT microfiche for warranty term information.

Warranty Type	A
Symptom Code	73
Damage Code	9H
Part Number Main Cause	N3H1-13-323A
Quantity	4
Operation Number / Labor Hours:	XX613XRX / 0.2 Hrs