

© 2006 Mazda Motor of America, Inc.

Subject: BROKEN PARKING BRAKE LEVER COVER	Bulletin No: 04-002/06
	Last Issued: 5/18/2006

APPLICABLE MODEL(S)/VINS

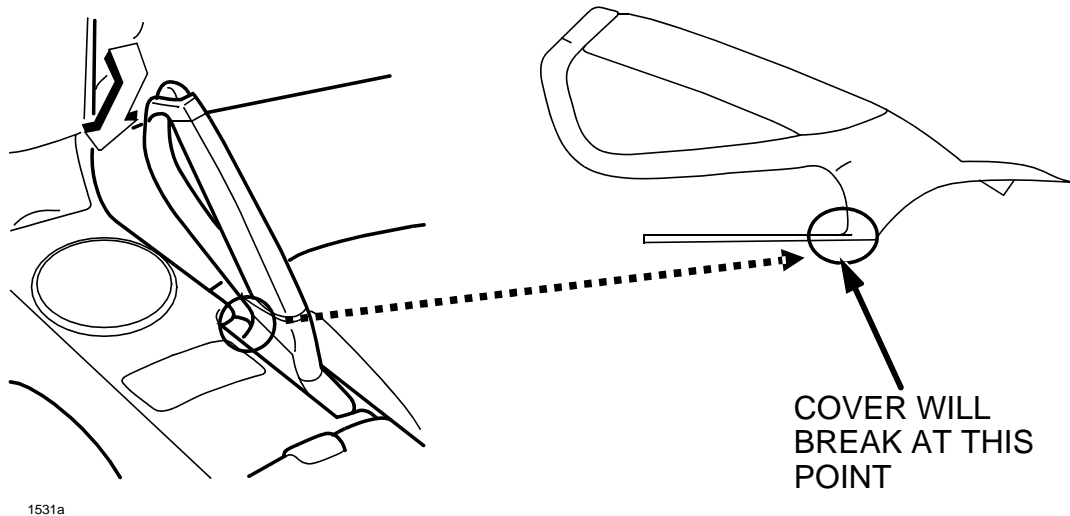
2004-2005 RX-8 vehicles with VINs lower than JM1FE*****157838 (produced before July 1, 2005)

DESCRIPTION

During cold weather, some vehicles may experience one or more of the following issues with the parking brake lever:

- The parking brake lever cover is broken.
- The parking brake lever cannot be lowered completely and the parking brake warning light stays illuminated.
- When operating the parking brake lever, the center console may move and/or shift.

In temperatures at or below -0°C (32°F) the plastic material of the parking brake lever cover can become brittle and may break easily. On vehicles built after July 1st, 2005, the plastic material of the parking brake lever cover has been changed to prevent cracking.



1531a

Customers having this concern should have their vehicle repaired using the following repair procedure.

REPAIR PROCEDURE

1. Verify customer concern.
2. Replace the parking brake lever with a modified one. Refer to Workshop manual section 04-12 PARKING BRAKE LEVER REMOVAL / INSTALLATION.

Page 1 of 2

CONSUMER NOTICE: The information and instructions in this bulletin are intended for use by skilled technicians. Mazda technicians utilize the proper tools/equipment and take training to correctly and safely maintain Mazda vehicles. These instructions should not be performed by "do-it-yourselfers." Customers should not assume this bulletin applies to their vehicle or that their vehicle will develop the described concern. To determine if the information applies, customers should contact their nearest authorized Mazda dealership. Mazda North American Operations reserves the right to alter the specifications and contents of this bulletin without obligation or advance notice. All rights reserved. No part of this bulletin may be reproduced in any form or by any means, electronic or mechanical---including photocopying and recording and the use of any kind of information storage and retrieval system ---without permission in writing.

Bulletin No: 04-002/06 © 2006 Mazda Motor of America, Inc.	Last Issued: 5/18/2006
--	-------------------------------

PART(S) INFORMATION

Part Number	Description	Qty.	Notes
F151-44-010M	Parking Brake Lever	1	All Except "Shinka" Edition
F184-44-010A	Parking Brake Lever	1	"Shinka" Editon

WARRANTY INFORMATION

NOTE:

- This warranty information applies only to verified customer complaints on vehicles eligible for warranty repair. Refer to the Warranty Wizard for warranty term information.
- Additional diagnostic time cannot be claimed for this repair.

Warranty Type	A
Symptom Code	87
Damage Code	9A
Part Number Main Cause	SEE PART(S) INFORMATION
Quantity	1
Operation Number / Labor Hours:	XXB105RX / 0.6 Hrs