

THROTTLE POSITION (TP) SENSOR INSPECTION

BHE014018910W01

Caution

• This inspection procedure cannot be completed correctly if the accelerator pedal position sensor has a malfunction. Before performing this procedure, verify that any one of the DTCs (P1577, P2122, P2123, P2127, P2128, P2138) related to the accelerator pedal position sensor is not detected.

Note

• Before performing the following inspection, make sure to follow the troubleshooting flowchart. (See [Troubleshooting Procedure](#).)

Voltage Inspection

1. Turn the ignition switch to the ON position.

2. Verify that the voltage at PCM terminals 1J (WDS PID: TP1) and 1M (WDS PID: TP2) increases while gradually increasing the accelerator pedal opening angle according to the accelerator pedal opening angle.

- If it can be verified, go to the next step.
- If it cannot be verified even though the related wiring harnesses have no malfunction, replace the throttle body. (See [INTAKE-AIR SYSTEM REMOVAL/INSTALLATION](#).)

3. Verify that the voltage at PCM terminals 1J (WDS PID: TP1) and 1M (WDS PID: TP2) is as indicated in the table.

- If it cannot be verified, replace the throttle body. (See [INTAKE-AIR SYSTEM REMOVAL/INSTALLATION](#).)

TP sensor output voltage

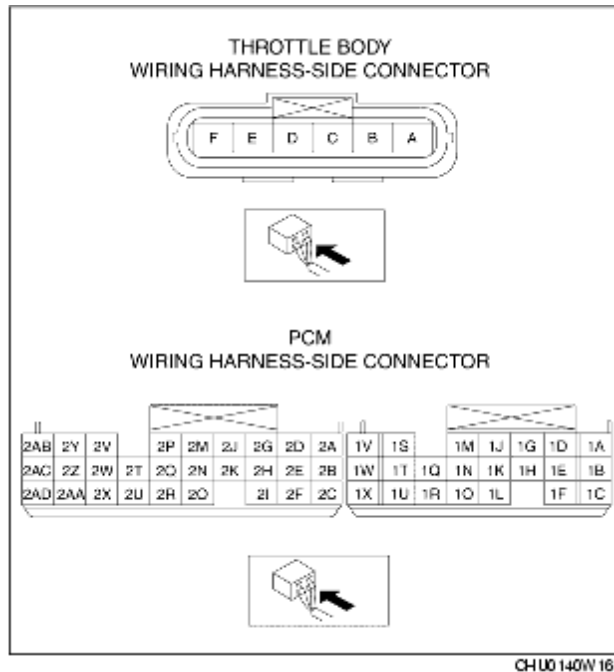
| Measurement condition | PCM terminal (WDS PID) | |
|--|------------------------|---------------|
| | 1J (TP1) | 1M (TP2) |
| When the accelerator pedal is depressed. | 3.825-4.095 V | 4.033-4.303 V |
| When the accelerator pedal is released. | 0.4-0.8 V | 1.18-1.78 V |

Circuit Open/Short Inspection

1. Disconnect the PCM connector.

2. Disconnect the throttle body connector.

3. Inspect the following wiring harnesses for open or short circuit. (Continuity inspection)



Open circuit

- If there is no continuity in the following wiring harnesses, there is an open circuit. Repair or replace the wiring harness.
 - Throttle body terminal C and PCM terminal 2F
 - Throttle body terminal D and PCM terminal 1M
 - Throttle body terminal E and PCM terminal 1Q
 - Throttle body terminal F and PCM terminal 1J

Short circuit

- If there is continuity in the following wiring harnesses, there is a short circuit. Repair or replace the wiring harness.
 - Throttle body terminal E and body ground
 - Throttle body terminal E and power supply
 - Throttle body terminal F and body ground
 - Throttle body terminal F and power supply
 - Throttle body terminal D and body ground
 - Throttle body terminal D and power supply