

GENUINE SIDE SKIRT SET**INSTALLATION AND USER'S INSTRUCTIONS**

Thank you for purchasing a genuine Mazda accessory.

Before removal and installation, be sure to thoroughly read these instructions.

Please read the contents of this booklet in order to properly install and use the side skirt set. Your safety depends on it.

Keep these instructions with your vehicle records for future reference.

⚠ WARNING

- There are several **⚠WARNING** and **⚠CAUTION** sections in this booklet concerning safety when installing or removing the side skirt set. Always read and follow them in order to prevent injuries, accidents, and possible damage to the vehicle.

⚠ WARNING: Indicates a situation in which serious injury or death could result if the warning is ignored.

⚠ CAUTION: Indicates a situation in which bodily injury or damage to the vehicle could result if the caution is ignored.

- Do not modify the side skirt set.
- Do not install the side skirt set in any way other than described in the following instructions.
- If in any doubt, please ask your Mazda dealer to install the accessory in order to prevent errors in installation.
- If you have any questions about the use of the accessory, ask your Mazda dealer for proper advice before using it.
- Mazda and its suppliers are not responsible for injuries, accidents, and damage to persons and property that arise from the failure of the dealer or installer to follow these instructions.
- To ensure safety and reliability of the work, installation, removal and disposal work must be carried out by an Authorized Mazda Dealership.
- Be careful not to lose removed parts, and be sure that they are kept free from scratches, grease or other dirt.

PART NAME: SIDE SKIRT SET
PART NUMBER: QSEA 70 900A
VEHICLE: Mazda RX-8

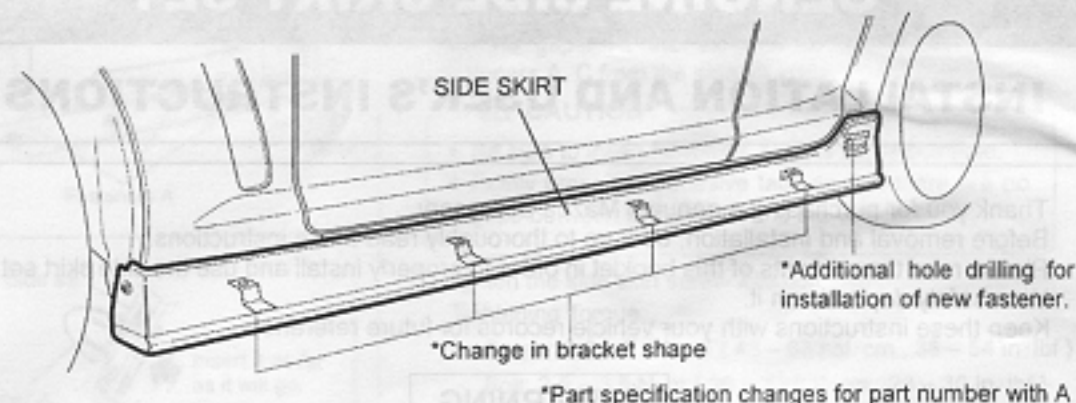
NOTE**To the dealer**

- Please turn over these instructions to the customer after installation.

To the customer

- Keep these instructions after installation. The instructions may be necessary for installing other optional parts or removal of this accessory.
- Should the vehicle or this accessory be resold, always leave these instructions with it for the next owner.

1 INSTALLATION VIEW



2 PARTS

Note

- Before installation, verify that the kit includes all the following parts and that they are free of dirt, scratches, or damage.

Part	Part name	Spec	Qty.	Part	Part name	Spec	Qty.
	Side skirt (RH, LH)	Same as the body color	1 ea.		Clip	-	4
	Screw	M6 x 20	2		Bolt	M5 x 15	4
	Speed nut	-	2		Fastener A	Resin fastener, white	6
	Protect seal	Urethane (30 x 30)	12		Fastener C	Resin fastener, white	2
	Fastener B	Resin fastener, black	8		Packing seal	Neoprene rubber	12
	Installation and user's instructions	Paper	1		Paper pattern set (A, B, C, D, E)	Paper patterns A, B, C, E (A3 size) Paper pattern D (A4 size)	5

3 BEFORE INSTALLATION

REQUIRED TOOLS

Prepare the following tools or items before installation.

- | | | | | |
|---------------------------|--------------------|--------------|-------------|------------------|
| ★ Drill bit (3 mm, 8 mm) | ★ Clean rags | ★ Round file | ★ Cutter | ★ Oil base pen |
| ★ Phillips screwdriver | ★ Fastener remover | ★ Hacksaw | ★ Drill | ★ Vacuum cleaner |
| ★ IPA (Isopropyl alcohol) | ★ Masking tape | ★ Scissors | ★ Duct tape | |

WARNING

When installing the accessory, park the vehicle on level ground, use wheel blocks, and apply the side brake securely.



CAUTION

Be sure to cover the vehicle body with protectors or mats to prevent stains, scratches and damage when removing/installing the vehicle parts.



Using improper tools may cause damage and/or broken parts. Use the correct tool for the job.



Before installing the parts with double-sided adhesive tape, wipe dust and dirt off the surface where the double-sided adhesive tape contacts. Otherwise, the parts may come off, resulting in a malfunction.



Put the removed parts and the parts in the kit on the protective sheet to prevent scratches.

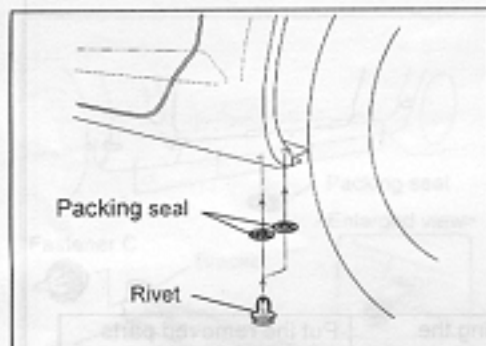
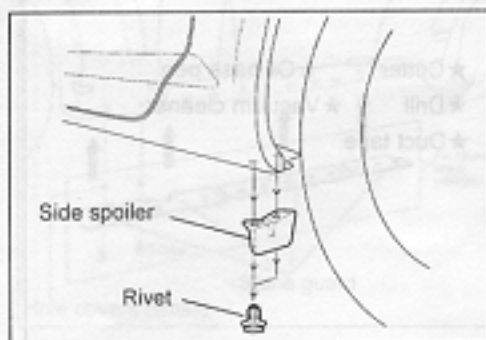


CAUTION

- Always perform the installation work with two people.

WARNING

- Refer to the Workshop Manual for removal and installation of vehicle parts. Not following the procedures for removal/installation in the Workshop Manual could result in an accident or vehicle malfunction.



Preparation before installation

Note

- The figures show the left side, however, perform the same procedure for the right side.

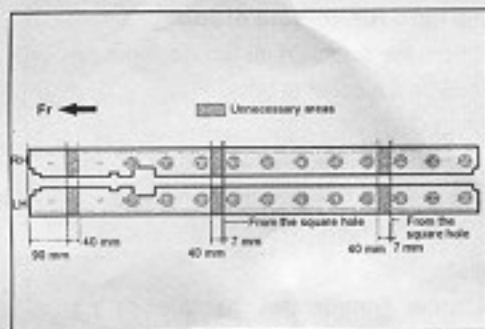
1. Remove the rivets fastening the side spoiler, and then remove the side spoiler from the vehicle body.
2. Affix the packing seals to the holes for the removed rivets and reinstall the rivets.

Stone guard removal (18-inch wheel vehicle)

1. Remove the screws for the small hole covers that are first and second from the front end of the stone guard.
2. Using a flathead screwdriver, remove the large hole covers (11) fastening the stone guard one by one starting from the rear end, and then remove the stone guard completely.
3. Remove the small hole covers (black) that are first and second from the front end.

Note

- Starting from the rear and working towards the vehicle front, each of the large hole covers can be removed easily by inserting a flathead screwdriver in the side of the clip. (The clips beginning third from the front are the large clips.)
- Starting from the rear and working towards the vehicle front, each of the small hole covers can be removed easily by inserting a flathead screwdriver from the front and rear. (The clips first and second from the front are the small hole covers.)



4. Cut the stone guard at the points shown in the figure.

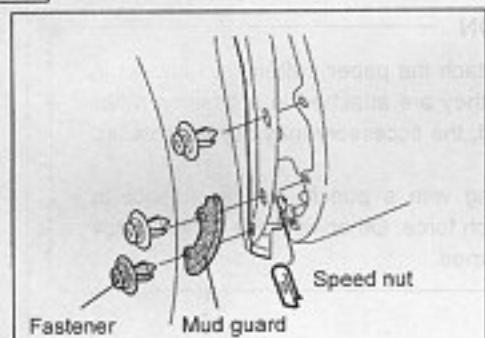
⚠ WARNING

- Always handle the hacksaw and cutter carefully. Otherwise, serious injury could result.

⚠ CAUTION

- Always cut the stone guard as specified. Otherwise, the accessory may not be installed properly.


5 SIDE SKIRT SET INSTALLATION

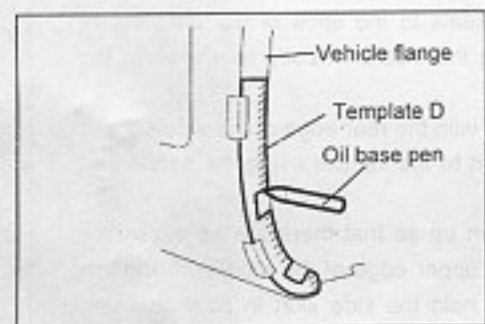


Installation of speed nuts to front wheel arch

1. For equipped vehicles, remove the front wheel arch fasteners (3) from the vehicle and mud guard.
2. Bend back the inner cover and install the speed nut (1).
3. Reinstall the fasteners (2) removed from the vehicle to their original positions.

Note

- The fastener and mud guard that were installed in the lowest position are not reused. ( not reused)

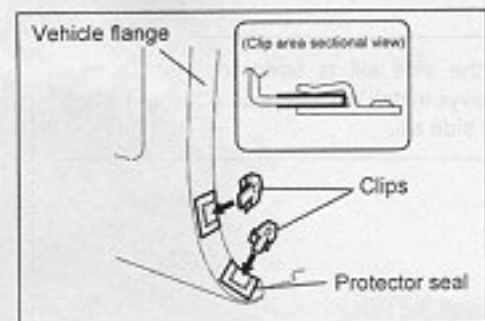


Installation of clips to rear wheel arch

1. Cut out template D, align it with the shape of the wheel arch and place marks with an oil-base pen, and then remove the template.

⚠ CAUTION

- Always adhere the template to the position shown in the figure. Adhering the template outside the designated position could result in the accessory not being installed correctly.



2. Fold the protector seals in two and adhere them around the vehicle flange on top of the markings.
3. Install the clips to the marked positions and confirm that they are securely affixed all the way to the back of the vehicle flange.