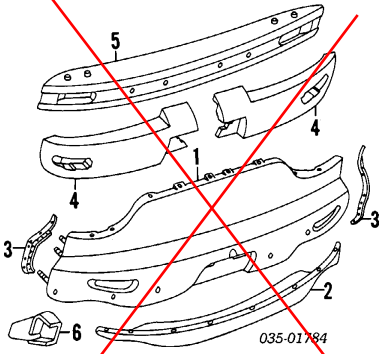


REAR BUMPER



- 1 Cover, Rear (P) FD01-50-221B
- 2 Dam, Air (P) FD01-50-231A
- (P) Paint to Match
- 3 Bracket, Cover R- FD01-50-3A0A
L- FD01-50-3B0A
- 4 Absorber, Impact R- FD07-50-31X
L- FD07-50-31Y
- 5 Bar, Reinforcement FD01-50-260A
- 6 Protector, Cover L FD01-50-1J1

035-01784

MAZDA RX-8 2004

SECTION INDEX

A/C /HEATER/VENTILATION	503
A/C REFRIGERANT CAPACITIES	503
ABS/BRAKES	504
AIR BAG SYSTEM	504
AIR CLEANER.....	506
BACK WINDOW	513
CENTER CONSOLE	509
CLEAR COAT IDENTIFICATION	501
COOLING	502
COWL & DASH.....	508
ELECTRICAL.....	507
EMISSION SYSTEM	507
ENGINE OIL COOLER.....	502
ENGINE UNDER COVER.....	506
ENGINE/TRANS.....	506
ENGINE/TRANS MOUNTS	506
EXHAUST.....	507
FRONT BUMPER.....	501
FRONT DOOR.....	511
FRONT FENDER.....	503
FRONT INNER STRUCTURE	504
FRONT LAMPS	502
FRONT SEAT	510
FRONT STEERING LINKAGE/GEAR	505
FRONT SUSPENSION.....	505
FUEL TANK	515
GRILLE	502
HOOD	502
INFORMATION LABELS	501
INSTRUMENT PANEL	508
LUGGAGE LID	514
PAINT CODE LOCATION	501
QUARTER PANEL	513
REAR BODY.....	515
REAR BUMPER	516
REAR DOOR.....	512
REAR DRIVE AXLE.....	515
REAR LAMPS.....	516
REAR SEAT.....	511
REAR SUSPENSION	514
ROCKER/PILLARS/FLOOR.....	509
ROOF	512
SEAT BELTS.....	511
SPECIAL CAUTIONS	501
STEERING WHEEL/COLUMN.....	505
SUNROOF	513
UNDERHOOD DIMENSIONS	504
WHEEL	505
WINDSHIELD	508

SPECIAL CAUTIONS

SRS

Refer to Procedure Explanation 29 for Supplemental Restraint/Air Bag Special Cautions.

PAINT CODE LOCATION

Paint code located on left door jamb.

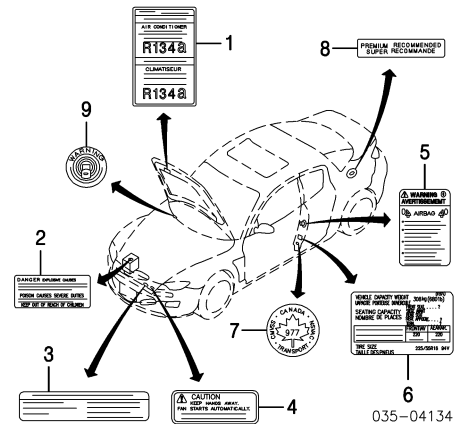
CLEAR COAT IDENTIFICATION

All colors are clear coat.

INFORMATION LABELS

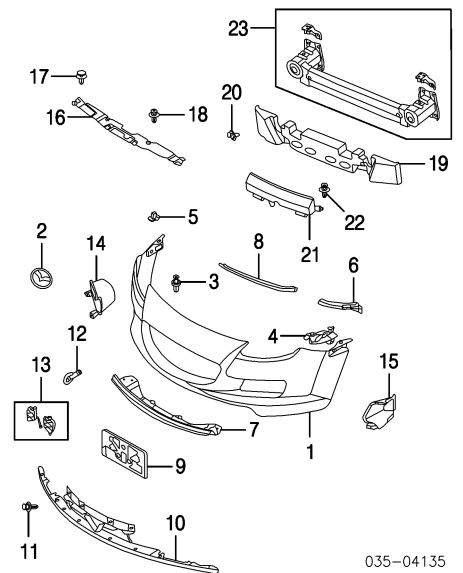
Illustration Located in Next Column

- 1 Label, A/C Caution FE01-61-439
- 2 Label, Battery Caution FA01-69-064B
- 3 Label, Fan Warning B303-15-031A
- 4 Label, Fan Caution B660-15-031
- 5 Label, Air Bag Warning R/L FE01-57-K92
- 6 Label, Tire Pressure
Std Susp FE01-69-014
Sport Susp FE02-69-014
- 7 Label, Safety L FA11-69-C31B
- 8 Label, Fuel Warning L TA16-69-065



- 9 Label, Theft Warning In Glove Box EC01-66-201

FRONT BUMPER

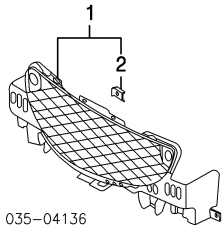


- 1 Cover, Bumper (P) w/ H/Lamp Washers FE01-50-031C
w/o H/Lamp Washers FE01-50-031D
(P) Paint to Match
- 2 Emblem F151-51-731A
- 3 Clip, Cover (4) EA01-50-037
- 4 Retainer, Side Cover R F151-50-0U1D
L F151-50-0T1D
- 5 Grommet, Cover R/L GJ6A-50-0Z5
- 6 Bracket, Side Cover R F151-50-151A
L F151-50-161A
- 7 Retainer, Center Cover F151-50-0K0C
- 8 Plate, Retainer R F151-50-1A1D
L F151-50-1B1D
- 9 Brkt, License Plate FE01-50-170A
- 10 Spoiler, Front F151-51-9K1A
- 11 Clip, Spoiler (4) GD7A-50-EA1
- 12 Hook, Tow R/L F151-50-EJ0
- 13 Cover Set, Tow Hook F151-50-A10A
- 14 Cover, Lamp Hole
w/Fog Lamps
w/ H/Lamp Washers R FE01-50-C12
w/o H/Lamp Washers R F151-50-C12
w/o Fog Lamps
w/ H/Lamp Washers R FE01-50-C11
Auto Trans w/o H/Lamp Washers R F151-50-C11
- 15 Duct, Oil Cooler
Man Trans R N3K2-14-708A
L N3K1-14-708A
Auto Trans L N3K1-14-708A
- 16 Plate, Seal F151-50-1U1A
- 17 Rivet, Plate R/L H260-61-895
- 18 Fastener, Plate (4) GJ21-68-885B-02
- 19 Absorber, Energy FE01-50-111A
- 20 Fastener, Absorber R/L BF82-50-233
- 21 Retainer, Absorber F151-50-0J1C
- 22 Fastener, Retainer (3) GD7A-50-EA1
- 23 Reinf, Bumper FE01-50-070D

035-04135

MAZDA RX-8 2004

GRILLE

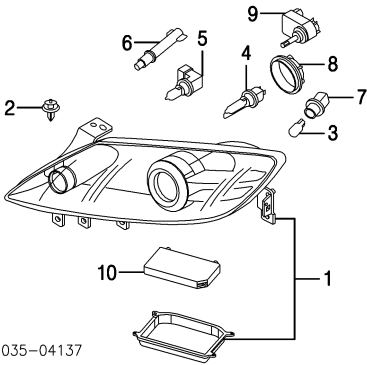


- 1 Grille Assy FE01-50-1T0B
- 2 Grommet (2) J001-50-171

035-04136

FRONT LAMPS

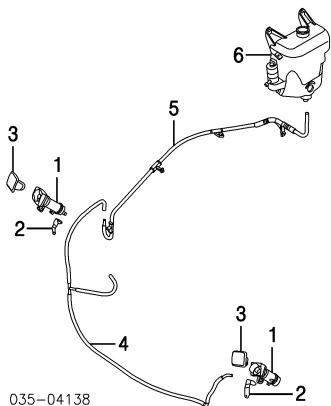
COMBINATION LAMP



- 1 Lamp, Combination w/HID Lamps R FE03-51-0K0F
- L FE03-51-0LOF
- w/o HID Lamps R FE01-51-0K0E
- L FE01-51-0LOE
- 2 Clip, Headlamp R/L B27K-51-PS7
- 3 Bulb, Marker R/L 9970-06-210Y
- 4 Bulb, Low Beam w/HID Lamps R/L 9070-36-350
- w/o HID Lamps R/L 9070-32-550
- 5 Bulb, High Beam R/L 9070-38-650
- 6 Bulb, DRL R/L 0000-11-0194
- 7 Socket, Marker Bulb R/L E115-51-0B4
- 8 Cover, Bulb R/L N066-51-0A1
- 9 Motor, Leveling R/L NC82-51-210
- 10 Module, HID R/L F152-51-0H3

035-04137

HEADLAMP WASHER



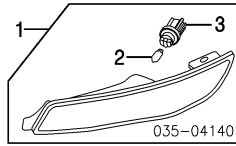
- 1 Actuator, Headlamp Washer R/L FE03-51-826-7
- 2 Bracket, Actuator R FE03-51-067
- L FE03-51-077
- 3 Nozzle, Washer Brilliant Black (Code A3F) R FE03-51-8G1-PZ
- L FE03-51-8H1-PZ
- Lightning Yellow (Code A4J) R FE03-51-8G1-93
- L FE03-51-8H1-93
- Nordic Green (Code 27C) R FE03-51-8G1-97
- L FE03-51-8H1-97
- Sunlight Silver (Code 22V) R FE03-51-8G1-67
- L FE03-51-8H1-67
- Titanium Gray (Code 25G) R FE03-51-8G1-66
- L FE03-51-8H1-66
- Velocity Red (Code 27A) R FE03-51-8G1-87

035-04138

WINNING BLUE (CODE 27B)

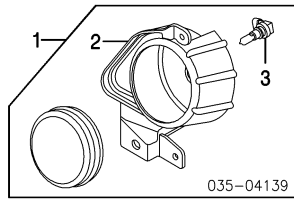
- 4 Hose, Front Washer L FE03-51-8H1-87
- R FE03-51-8G1-94
- 5 Hose, Rear Washer FE03-51-404
- 6 Tank Assy, Washer-See Windshield Section R FE03-51-405

SIGNAL LAMP



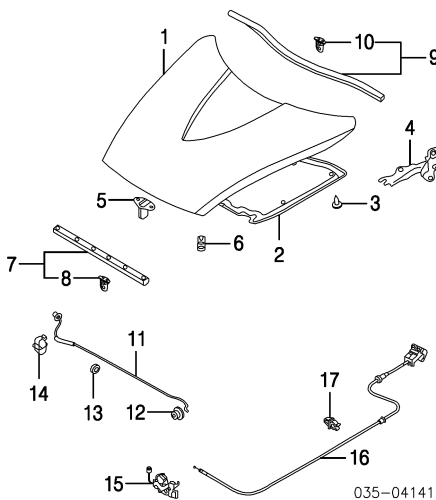
- 1 Lamp Assy, Signal R FE01-51-5E0C
- L FE01-51-5F0C
- 2 Bulb, Signal (1) R/L 0000-11-0194
- 3 Socket, Signal Bulb (1) R/L F151-51-124A

FOG LAMP



- 1 Lamp Assy, Fog R FE01-51-680B
- L FE01-51-690B
- 2 Brkt, Fog Lamp (1) R F151-51-684A
- L F151-51-694A
- 3 Bulb, Fog Lamp (1) R/L 9070-37-550

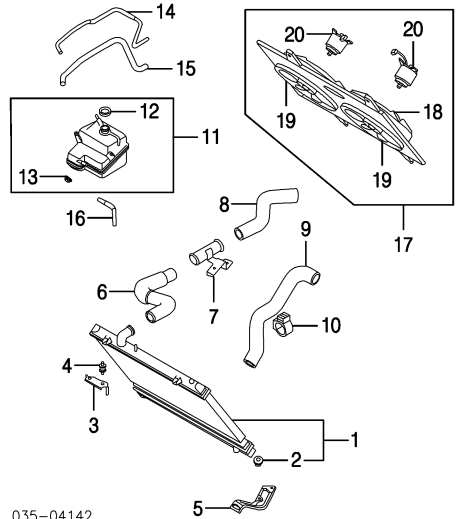
HOOD



- 1 Hood F1Y1-52-31X
- 2 Insulator, Hood F151-56-681A
- 3 Clip, Insulator (13) GA2A-56-694
- 4 Hinge, Hood R F151-52-410C
- L F151-52-420C
- 5 Striker, Hood F151-52-372B
- 6 Bumper, Hood R/L BC1M-56-786
- 7 Seal Assy, Front F151-56-750
- 8 Clip, Seal (6) BC1D-58-762
- 9 Weatherstrip Assy, Rear F151-56-760
- 10 Clip, Weatherstrip (9) BC1D-58-762
- 11 Rod, Hood Support F151-56-650
- 12 Holder, Rod UH71-56-644
- 13 Spacer, Rod G030-52-512
- 14 Clip, Rod S05B-56-643
- 15 Latch, Hood w/Theft Deterrent FE02-56-620
- w/o Theft Deterrent FE01-56-620
- 16 Cable, Release Man Trans FE05-56-720A
- Auto Trans FE01-56-720A
- 17 Clip, Cable (3) D001-56-731

035-04141

COOLING



- 1 Radiator Assy Man Trans N3H6-15-200C
- Auto Trans N3H4-15-200C
- 2 Cushion, Lower (1) R/L JE48-15-202
- 3 Brkt, Upper Rad R N3H1-15-241
- L N3H1-15-251
- 4 Cushion, Upper R/L F285-13-363
- 5 Brkt, Lower Rad R N3H1-15-231
- L N3H2-15-231
- 6 Hose, Front Upper Rad N3H1-15-186A
- 7 Connector, Hose N3H2-15-190
- 8 Hose, Rear Upper Rad N3H2-15-186
- 9 Hose, Lower Rad N3H1-15-185
- 10 Clamp, Hose N3H1-15-581
- 11 Tank Assy, Coolant N3H1-15-350G
- 12 Cap, Tank (1) D316-15-205
- 13 Mount, Tank (1) JE48-15-202
- 14 Hose, Inlet N3H1-15-380A
- 15 Hose, Outlet N3H1-15-381A
- 16 Hose, Overflow N3H1-15-184B
- 17 Fan Assy, Cooling N3H1-15-025D
- 18 Shroud, Fan (1) N3H1-15-210
- 19 Fan, Cooling (1) R RF1S-15-140
- L RF2A-15-140
- 20 Motor, Fan (1) R N3H1-15-150
- L N3H2-15-150

035-04142

- 21 Belt, Drive N3H1-18-381
- 22 Pulley, Water Pump N3H1-15-131
- 23 Pump, Water N3H1-15-100A
- 24 Gskt, Water Pump N3H1-15-116
- 25 Housing, Thermostat N3H1-15-1H0A
- 26 Gskt, Housing N3H1-10-153
- 27 Thermostat N3H1-15-171
- 28 Cover, Thermostat N3H1-15-170A

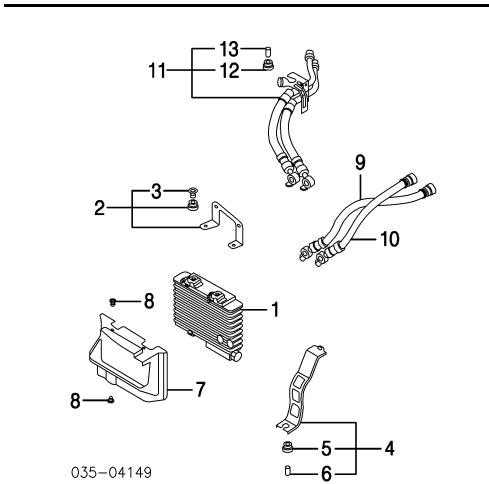
035-04143

ENGINE OIL COOLER

MAN TRANS

Illustration Located in Next Column

- 1 Cooler, Eng Oil R N3H6-14-700D
- L N3H1-14-700D
- 2 Bracket Assy, Upper Mounting R N3H6-14-770B

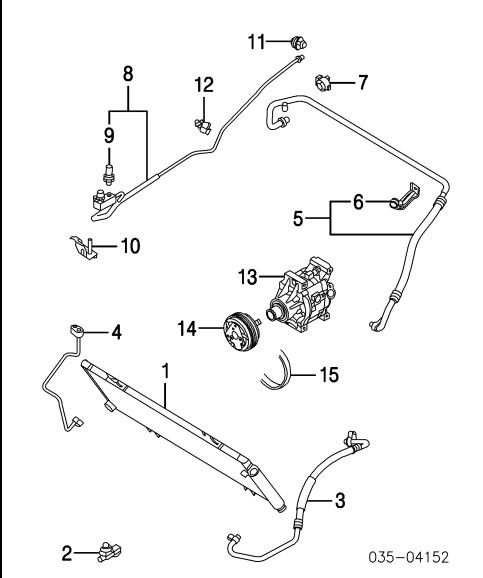


- 1 Cooler, Eng Oil L N3H1-14-700D
- 2 Bracket Assy, Upper Mounting L N3H1-14-770B
- 3 Spacer (2) L FE51-13-329
- 4 Bracket Assy, Lower Mounting L N3H1-14-780A
- 5 Grommet, Mtg L NF01-13-363
- 6 Spacer L NF01-13-364
- 7 Duct, Oil Cooler L N3H1-14-708C
- 8 Clip, Duct (3) L BC1D-56-145
- 9 Hose Assy, Cooler N3H1-14-830F
- 10 Grommet, Mtg NF01-13-363
- 11 Spacer NF01-13-364
- 12 Hose, Inlet N3H1-14-720B
- 13 Hose, Outlet N3H1-14-710A

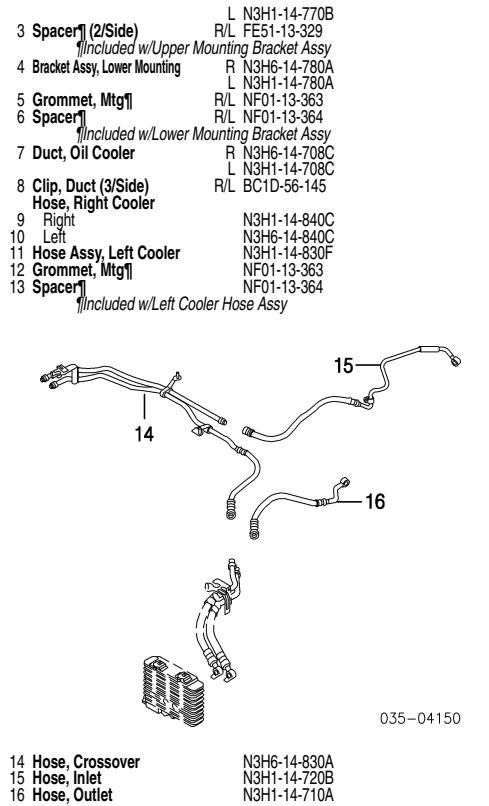
A/C REFRIGERANT CAPACITIES

A/C R-134a Refrigerant Capacity
2004: 14.8 Ozs (.93 Lbs)

A/C /HEATER/VENTILATION



- 1 Condenser/Drier F151-61-480
- 2 Sensor, Ambient F151-61-764
- 3 Hose, High Pressure F151-61-461A
- 4 Tube, Condenser F151-61-464A
- 5 Hose Assy, Low Pressure FE01-61-4T0B
- 6 Bracket, Hose FE01-61-473
- 7 Clip, Hose NC72-61-4H5
- 8 Tube Assy, Evaporator FE01-61-46XB
- 9 Switch, Pressure F151-61-503
- 10 Bracket, Tube F151-61-472
- 11 Clip, Tube NC73-61-4H5
- 12 Type 1 F151-61-4H5
- 13 Compressor F151-61-K00
- 14 Clutch/Pulley, Compressor F151-61-L10
- 15 Belt, Drive N3H1-15-908



AUTO TRANS

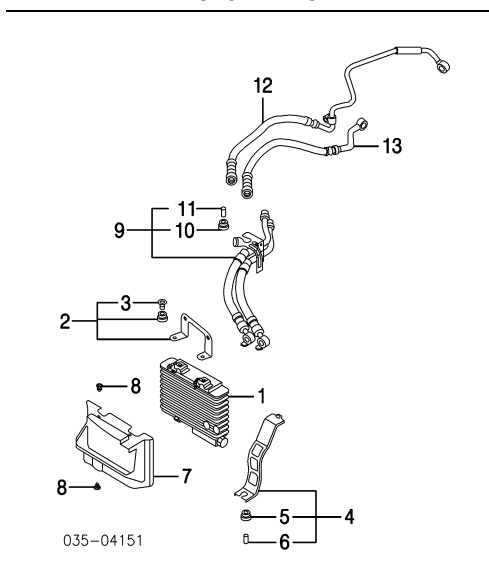
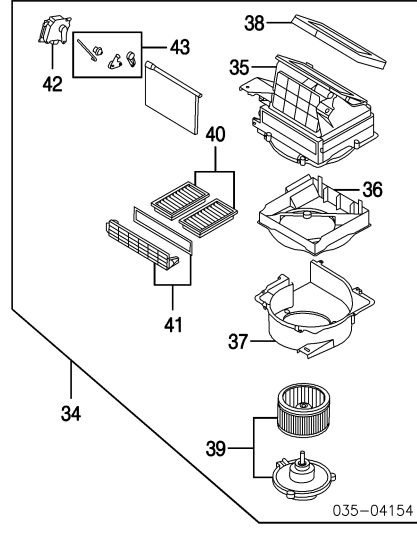
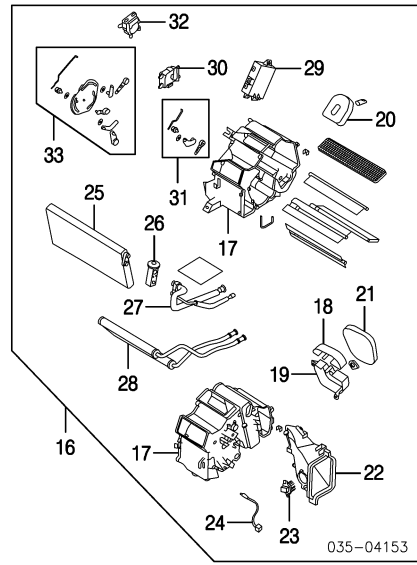


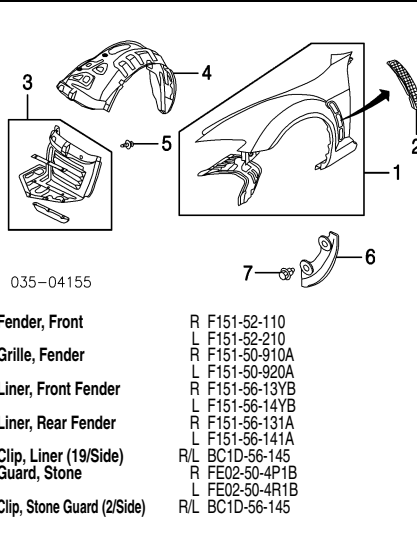
Illustration Located in Next Column

- 16 A/C/Heater Assy FE01-61-130E
- 17 Case, A/C/Heater Cover, Case R/L FE01-61-A01-2
- 18 Upper FE01-61-A03
- 19 Lower FE01-61-A04
- 20 Seal, Upper Case F151-61-J31
- 21 Seal, Lower Case FE01-61-J12
- 22 Duct, Air R FE01-61-A07
- 23 Resistor, Heater FE01-61-B15
- 24 Sensor, Valve F151-61-J22A
- 25 Core, Evaporator FE01-61-J10A
- 26 Valve, Expansion F151-61-J14A
- 27 Pipe, Evaporator FE01-61-46ZB
- 28 Core, Heater FE01-61-A10
- 29 Amplifier, Control FE01-61-540A
- 30 Actuator, Temp FE01-61-A60
- 31 Link, Temp FE01-61-A20
- 32 Actuator, Mode FE01-61-A70
- 33 Link, Mode FE01-61-A30
- 34 Blower Assy FE01-61-140B
- 35 Case, Upper Blower FE01-61-B01
- 36 Case, Center FE01-61-B03
- 37 Case, Lower Blower FE01-61-B02
- 38 Seal, Case F152-61-J04
- 39 Motor/Fan, Blower FE01-61-B10



- 40 Filter, Blower LDY4-61-J6X
- 41 Cover, Filter F151-61-D25
- 42 Actuator, Recycle/Fresh FE01-61-B60
- 43 Link, Recycle/Fresh FE01-61-B20

FRONT FENDER



- 1 Fender, Front R F151-52-110
- L F151-52-210
- 2 Grille, Fender R F151-50-910A
- L F151-50-920A
- 3 Liner, Front Fender R F151-56-13YB
- L F151-56-14YB
- 4 Liner, Rear Fender R F151-56-131A
- L F151-56-141A
- 5 Clip, Liner (19/Side) R/L BC1D-56-145
- 6 Guard, Stone R FE02-50-4P1B
- L FE02-50-4R1B
- 7 Clip, Stone Guard (2/Side) R/L BC1D-56-145

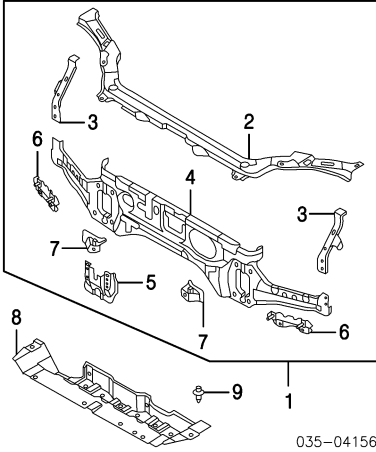
MAZDA RX-8 2004

UNDERHOOD DIMENSIONS

Information not available at time of publication.

FRONT INNER STRUCTURE

FRONT



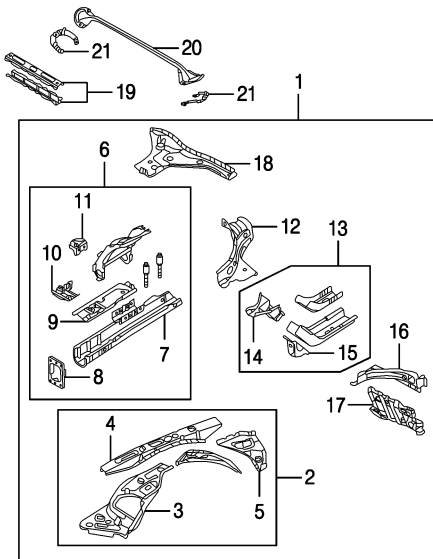
035-04156

- 1 Support Assy, Core FE01-53-100E
- 2 Bar, Upper Tie R FE01-53-150C
- 3 Bracket, Side L R F151-53-1E0
- 4 Bar, Lower Tie FE01-53-110B
- 5 Reinf, Center F151-53-152
- 6 Reinf, Side R/L F151-53-17YA
- 7 Brkt, Condenser Mtg R F151-53-19X
- 8 Plate, Seal F151-56-1Y1C
- 9 Clip, Seal BC1D-56-145

¶Included w/Core Support Assy

¶As Required

SIDE



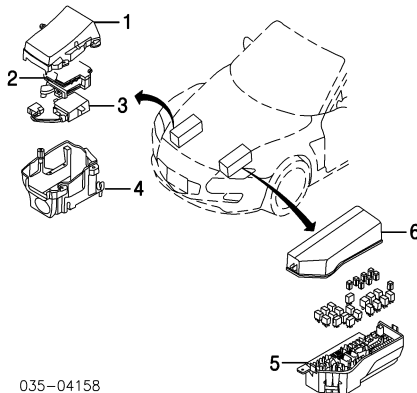
035-04157

- 1 Apron/Frame Assy R FE01-53-200
- 2 Apron Assy L FE01-54-200
- 3 Panel, Front Apron (a) R F151-53-210E
- 4 Reinf, Uptr Apron (a) L F151-54-210E
- 5 Reinf, Lwr Apron (a) R F151-53-220E
- 6 Rail Assy, Front Frame (a) L F151-54-220D
- 7 Rail, Front Frame (a) R F151-53-260A
- 8 Bracket, Bumper (a) L F151-54-260B
- 9 Plate, Closing (a) R F151-53-271
- 10 Reinf, Crossmember (a) L F151-54-271

(a) Included w/Apron Assy

- 11 Gusset, Side Rail (a) L F151-54-318
- 12 Reinf, Frame Rail (a) R FE01-53-342
- 13 Rail Assy, Rear Frame L FE01-54-342
- 14 End, Rear Rail (a) R F151-53-390A
- 15 Brkt, Rear Rail (a) L F151-54-391
- 16 Rail, Outer R F151-53-391
- 17 Box, Torque L F151-54-391
- 18 Reinf, Rear R F151-53-39Z
- 19 Crossmember, Front L F151-54-39Z
- 20 Bar, Strut Cross R F151-53-331
- 21 Bracket, Cross Bar L F151-54-331

ELECTRICAL COMPONENTS

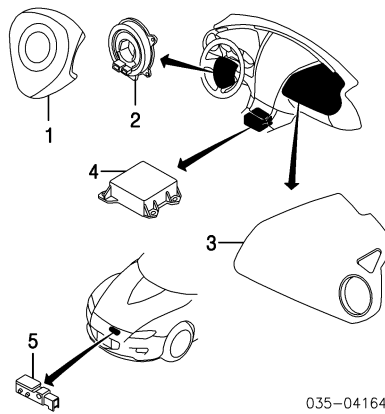


035-04158

- 1 Cover, Control Unit R F151-67-F10A
- 2 Case, Control Module-See Electrical Section
- 3 Control Unit, Pwr Strg-See Front Steering Linkage/Gear Section
- 4 Case, Control Unit R F151-67-F20B
- 5 Block, Fuse L F151-66-760
- 6 Cover, Fuse Block L F151-66-76YB

AIR BAG SYSTEM

FRONT



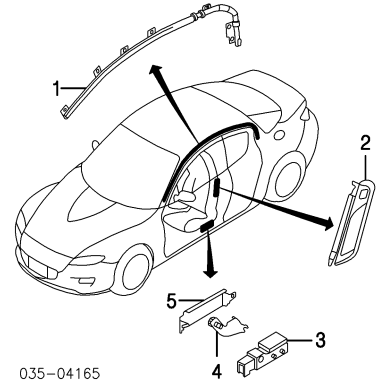
035-04164

- 1 Module, Driver Air Bag F151-57-K00E-02
- 2 Clockspring GJ6A-66-CS0
- 3 Module, Passenger Air Bag FEY1-57-K70
- 4 Control Unit, Diagnosis FE01-57-K30A
- 5 Sensor, Front Impact F151-57-K1X

SIDE

Illustration Located in Next Column

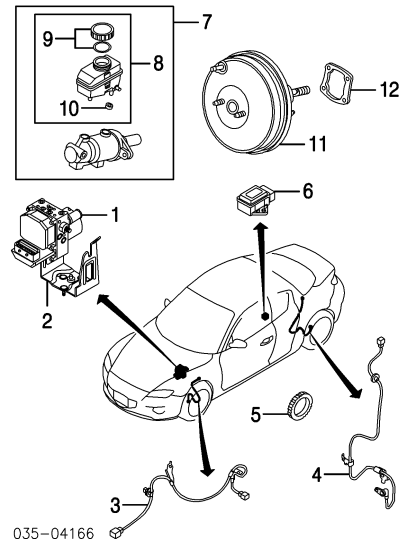
- 1 Module, Side Curtain Air Bag Driver Side F151-57-KN0B
- 2 Module, Side Air Bag Passenger Side F151-57-KM0B



035-04165

- Cloth Seats Driver Side FE02-57-KB0B
- Passenger Side FE02-57-KA0B
- Leather Seats Driver Side FE01-57-KB0B
- Passenger Side FE01-57-KA0B
- ¶Included w/Seat Back Assy-listed in Front Seat Section
- 3 Sensor, Side Impact Driver Side GJ6A-57-KC0
- Passenger Side GJ6A-57-KC0
- 4 Brkt, Outer Sensor Driver Side F152-57-KX0A
- Passenger Side F151-57-KX0A
- 5 Brkt, Inner Sensor Driver Side F154-57-KX0A
- Passenger Side F153-57-KX0A

ABS/BRAKES

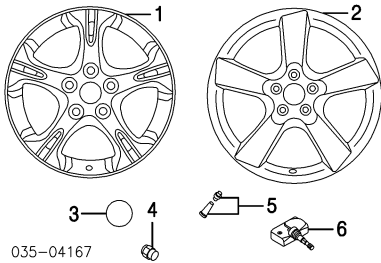


035-04166

- 1 Hydraulic Unit, ABS w/DSC F1Y3-43-7A0
- w/o DSC F1Y1-43-7A0
- 2 Bracket, Hydraulic Unit w/DSC F153-43-310
- w/o DSC F151-43-310
- 3 Sensor, Front ABS R F151-43-70XA
- L F151-43-73XA
- 4 Sensor, Rear ABS R F151-43-71Y
- L F151-43-72Y
- 5 Rotor, Rear Sensor-See Rear Drive Axle Section
- ¶Included w/Drive Axle Assy
- 6 Sensor, Yaw Rate w/DSC F153-43-7Y1
- 7 Cylinder Assy, Brake Master Man Trans FE06-43-40ZA
- w/DSC FE05-43-40ZA
- Auto Trans FE03-43-40ZA
- w/o DSC FE01-43-40ZA
- 8 Reservoir Assy Man Trans FE05-43-55Z
- Auto Trans FE01-43-55Z
- 9 Cap, Reservoir (a) F151-43-55Y
- 10 Grommet, Mtg (a) (2) F151-43-4M4
- ¶Included w/Brake Master Cylinder Assy
- (a) Included w/Reservoir Assy
- 11 Booster, Brake FEY1-43-80Z
- 12 Gskt, Brake Booster H001-43-443

WHEEL

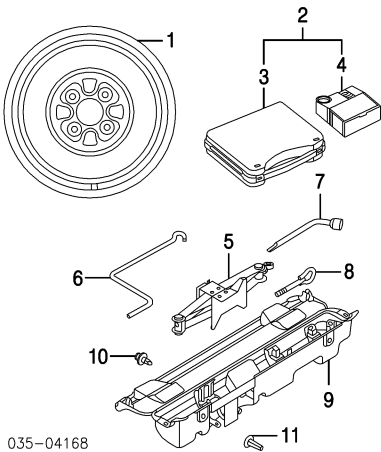
ALLOY WHEEL



035-04167

- | | |
|-------------------------|--------------|
| Wheel, Alloy | |
| 1 16x7-1/2" | 99650-47560 |
| 2 18x8" | |
| Hitachi Brand | 99650-48080 |
| U-Mold Brand | 99650-58080 |
| 3 Cap, Center | GJ6G-37-192 |
| 4 Nut, Lug | B002-37-160A |
| 5 Stem, Valve | 9963-60-4130 |
| 6 Sensor, Tire Pressure | FE01-37-14XA |

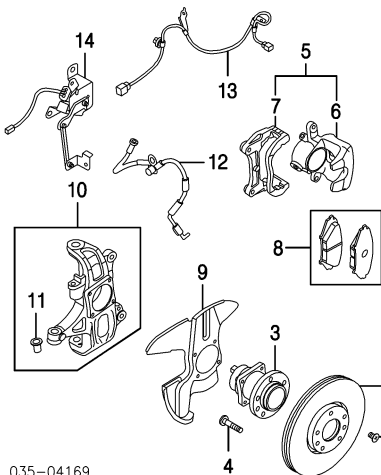
SPARE WHEEL & HARDWARE



035-04168

- | | |
|---|---------------------|
| 1 Wheel, Spare-Not Applicable | |
| 2 Repair Kit, Flat | FE01-37-C00B |
| 3 Case | F151-37-C01 |
| 4 Compressor, Air | FE01-37-C20 |
| *Included w/Flat Repair Kit | |
| 5 Jack | GA5R-37-790B |
| 6 Handle, Jack | GJ21-37-810A |
| 7 Wrench, Lug | NA01-68-070 |
| 8 Hook, Tow-See Front Bumper Section | |
| 9 Box, Tool | F151-69-67YE |
| 10 Clip, Tool Box | R/L GJ21-68-885B-02 |
| 11 Grommet | R/L KA01-68-86YA |

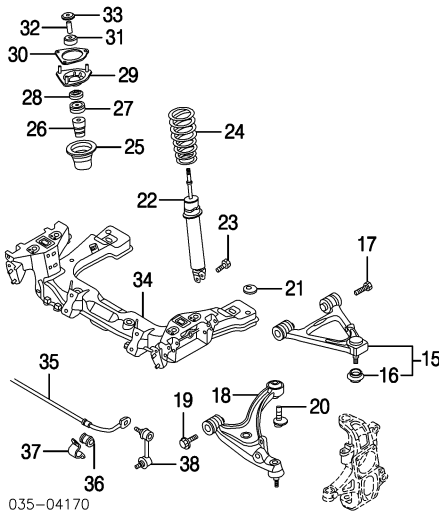
FRONT SUSPENSION



035-04169

- | | |
|-----------------------|--|
| 1 Rotor, Brake | |
|-----------------------|--|

- | | |
|--|-----------------|
| Std Susp | R/L F151-33-251 |
| Sport Susp | R/L F157-33-251 |
| 2 Bolt, Rotor (2/Side) | R/L 9983-10-816 |
| 3 Hub, Front Wheel | R/L F151-33-04X |
| 4 Stud, Lug (5/Side) | R/L F151-33-062 |
| 5 Caliper Assy, Brake | |
| Std Susp | R F1Z1-33-98Z |
| | L F1Z1-33-99Z |
| Sport Susp | R F1Z7-33-98Z |
| | L F1Z7-33-99Z |
| 6 Caliper, Brake | |
| | R F151-33-61X |
| | L F151-33-71X |
| 7 Support, Caliper | |
| Std Susp | R/L F151-33-281 |
| Sport Susp | R/L F157-33-281 |
| *Included w/Brake Caliper Assy | |
| 8 Pad Set, Brake | F1Y1-33-23ZB |
| 9 Shield, Splash | R F151-33-261A |
| | L F151-33-271A |
| 10 Knuckle Assy | R F151-33-020A |
| | L F151-33-030A |
| 11 Bushing, Knuckle | R/L F151-33-023 |
| *Included w/Knuckle Assy | |
| 12 Hose, Brake | R F151-43-980 |
| | L F151-43-990 |
| 13 Sensor, Front ABS-See ABS/Brakes Section | |
| 14 Sensor, Leveling w/DSC | L FE03-51-21YC |



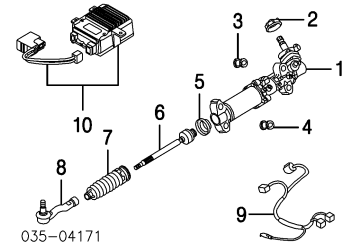
035-04170

- | | |
|--------------------------------------|------------------|
| 15 Arm Assy, Upper Control | R F151-34-200B |
| | L F151-34-250B |
| 16 Boot, Dust | R/L F151-34-541 |
| *Included w/Upper Control Arm Assy | |
| 17 Bolt, Up Cont Arm (2/Side) | R/L 9YA0-21-223 |
| 18 Arm, Lower Control | R F151-34-300 |
| | L F151-34-350 |
| Bolt, Lwr Cont Arm | |
| Front | R/L F151-34-66Z |
| Rear | R/L F151-28-66Z |
| 21 Plate, Cam | R/L F151-34-473 |
| 22 Strut, Front | |
| Std Susp | R/L F151-34-700C |
| Sport Susp | R/L F157-34-700C |
| 23 Bolt, Strut Mtg | R/L 9YA0-21-223 |
| 24 Spring, Coil | |
| Std Susp | R/L F151-34-011C |
| Sport Susp | R/L FE02-34-011 |
| 25 Mount, Lower Strut | R/L F151-34-012B |
| 26 Bumper, Rebound | R/L F151-34-111 |
| 27 Stopper | R/L F151-34-778 |
| 28 Bushing, Lower | R/L F151-28-776 |
| 29 Mount, Upper Strut | R/L F151-34-340 |
| 30 Gasket, Upper Mount | R/L F151-34-003 |
| 31 Bushing, Upper | R/L F151-28-775A |
| 32 Spacer | R/L F151-28-773 |
| 33 Retainer | R/L F151-28-774 |
| 34 Crossmember, Susp | FE01-34-800C |
| 35 Bar, Stabilizer | |
| Std Susp | F151-34-151 |
| Sport Susp | F157-34-151 |
| 36 Bushing, Stab | |
| Std Susp | R/L F151-34-156 |
| Sport Susp | R/L F157-34-156 |
| 37 Brkt, Bushing | R/L F151-34-155 |
| 38 Link, Stabilizer | R F151-34-150 |
| | L F151-34-170 |

FRONT STEERING LINKAGE/GEAR

Illustration Located in Next Column

- | | |
|-------------------------|---------------|
| 1 Gear, Steering | FE01-32-110 |
| 2 Cover, Lever | F151-32-112 |
| 3 Mount, Upper | R F152-32-123 |
| | L F151-32-123 |

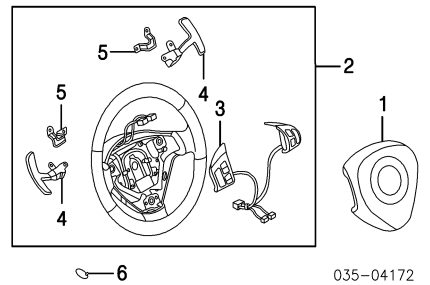


035-04171

- | | |
|----------------------------------|-----------------|
| 4 Mount, Lower | R/L F153-32-123 |
| 5 Washer, End | R/L F151-32-132 |
| 6 Rod, Inner Tie | R/L F151-32-240 |
| 7 Boot, Dust | R/L F151-32-125 |
| 8 End, Tie Rod | R F151-32-280 |
| | L F151-32-290 |
| 9 Harness, Steering Gear | F151-67-SH0B |
| 10 Control Unit, Pwr Strg | F151-67-880B |

STEERING WHEEL/COLUMN

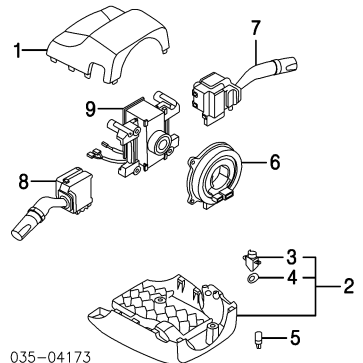
WHEEL & TRIM



035-04172

- | | |
|--|-----------------|
| 1 Module, Driver Air Bag-See Air Bag System Section | |
| 2 Wheel Assy, Steering | |
| Man Trans | |
| Black (Code FF3, FF6) | F157-32-980B-02 |
| Brown (Code FF5) | F157-32-980B-23 |
| Red (Code FF4) | F157-32-980B-15 |
| Auto Trans | |
| Black (Code FF3, FF6) | F155-32-980B-02 |
| Brown (Code FF5) | F155-32-980B-23 |
| Red (Code FF4) | F155-32-980B-15 |
| 3 Switch, Cruise/Radio | |
| Man Trans | F157-66-4M0 |
| Auto Trans | F155-66-4D1 |
| 4 Switch, Shifter | |
| Auto Trans | R F154-66-3P0 |
| | L F155-66-3P0 |
| 5 Cover, Switch Hole | |
| Auto Trans | R F154-66-4M1 |
| | L F155-66-4M1 |
| *Included w/Steering Wheel Assy | |
| 6 Cap, Steering Wheel | R/L F151-32-9L1 |

COLUMN TILT



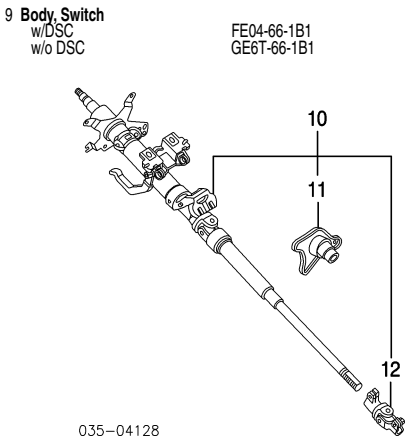
035-04173

- | | |
|---|--------------|
| 1 Cover, Upper Column | F151-60-221 |
| 2 Cover Assy, Lower Column | F151-60-230A |
| 3 Lamp, Steering Lock | F151-60-245A |
| 4 Lens, Lamp | F151-60-246 |
| *Included w/Lower Column Cover Assy | |
| 5 Bulb, Lamp | B456-60-223 |
| 6 Clockspring-See Air Bag System Section | GJ6A-66-128 |
| 7 Switch, Wiper | |
| w/Fog Lamps | GJ6H-66-122 |
| w/o Fog Lamps | GJ6R-66-122 |

MAZDA RX-8 2004

STEERING WHEEL/COLUMN Cont'd

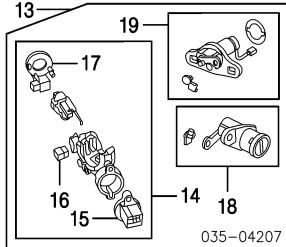
COLUMN TILT Cont'd



- 9 Body, Switch w/DSC w/o DSC FE04-66-1B1 GE6T-66-1B1
- 10 Column Assy, Steering FE01-32-10XD
- 11 Cover, Lever FE01-32-210B
- 12 Joint, Steering FE01-32-850

035-04128

†Included w/Steering Column Assy



035-04207

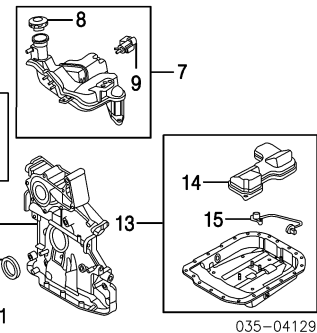
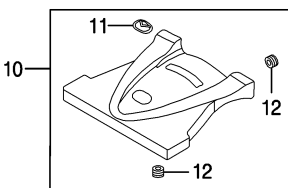
- 13 Lock Set, Vehicle w/Theft Deterrent Man Trans FE06-09-010A Auto Trans FE02-09-010A
- w/o Theft Deterrent Man Trans FE05-09-010A Auto Trans FE01-09-010A
- 14 Lock Assy, Ignition Man Trans FEY5-76-29X Auto Trans FEY1-76-29X
- 15 Switch, Ignition (a) LC70-66-151
- 16 Switch, Interlock (a) LC70-66-157
- 17 Coil, Immobilizer (a) Man Trans GK2A-66-938 Auto Trans GK2A-66-938A

(a) Included w/Ignition Lock Assy

- 18 Cylinder, Door Lock† See Front Door Section
- 19 Cylinder, Luggage Lid Lock† See Luggage Lid Section

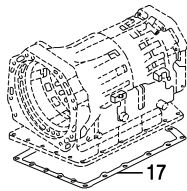
†Included w/Vehicle Lock Set

ENGINE/TRANS



035-04129

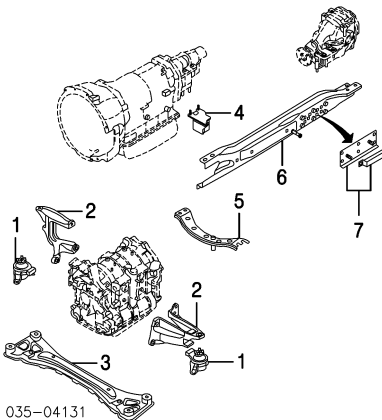
- 1 Pulley, Crankshaft N3H1-11-400C
- 2 Bolt, Crankshaft N3H1-11-406
- 3 Cover Assy, Front N3H1-10-500G
- 4 Seal, Front Cover† N3A1-10-507
- †Included w/Front Cover Assy
- 5 Pulley Assy, Idler N3H1-15-930
- 6 Pulley, Idler† N3H1-15-940B
- †Included w/Idler Pulley Assy
- 7 Filler Assy, Oil N3H4-10-D10D
- 8 Cap Assy, Oil Filler† N3H4-10-250
- Gskt, Oil Filler Cap† (a) 8871-10-252
- (a) Included w/Oil Filler Cap Assy
- 9 Valve, Solenoid (3) KL01-18-741
- Hose, Vacuum† (a) N.A.
- †Included w/Oil Filler Assy
- (a) Cut to Fit
- 10 Cover Assy, Engine N3H3-13-13XD
- 11 Emblem† L323-10-2D9
- 12 Bushing, Mtg† (4) N3H1-13-323A
- †Included w/Engine Cover Assy
- 13 Pan Assy, Engine Oil N3H8-10-4AXB
- 14 Baffle, Oil Pan† N3H1-10-40Y
- 15 Sensor, Oil Level† N3H1-10-470A
- †Included w/Engine Oil Pan Assy
- Sealant, Eng Oil Pan N.A.



035-04130

- 16 Pan, Trans Oil BW60-19-836
- 17 Gskt, Trans Oil Pan BW60-19-835

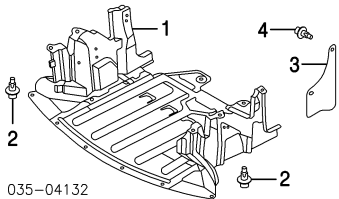
ENGINE/TRANS MOUNTS



035-04131

- 1 Mount, Engine R F151-39-040B L F151-39-050B
- 2 Brkt, Engine Mount R F151-39-021 L F151-39-031
- 3 Crossmember, Eng F151-34-H90
- 4 Damper, Trans Dynamic BW60-19-070A
- 5 Crossmember, Trans F152-56-H10
- 6 Beam, Support F151-39-710E
- 7 Damper, Dynamic F151-39-970C

ENGINE UNDER COVER

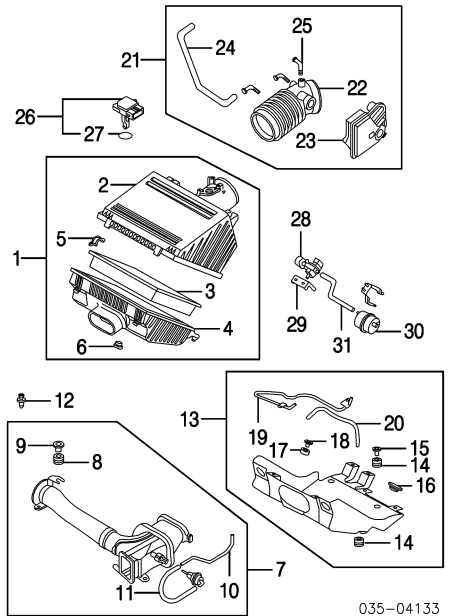


035-04132

- 1 Cover, Engine Under F151-56-110C
- 2 Clip, Under Cover† BC1D-56-145
- †As Required
- 3 Shield, Splash R/L F151-56-321E

- 4 Clip, Splash Shield† R/L BC1D-56-145
- †As Required

AIR CLEANER



035-04133

- 1 Cleaner Assy, Air Man Trans N3H3-13-320F Auto Trans N3H1-13-320G
- 2 Cover, Air Cleaner† Man Trans N3H3-13-Z01E Auto Trans N3H1-13-Z01G
- 3 Element, Air Cleaner† N3H1-13-Z40
- 4 Case, Air Cleaner† N3H1-13-Z02B
- 5 Clamp, Air Cleaner† (2) B593-13-Z27
- 6 Grommet, Mtg† R205-13-363
- †Included w/Air Cleaner Assy
- 7 Duct Assy, Air Inlet Man Trans N3H3-13-200C Auto Trans N3H1-13-200B
- 8 Grommet, Mtg† S501-13-349
- 9 Spacer† SLA1-13-321
- 10 Pipe, Vacuum† Man Trans N3H3-20-410
- 11 Hose, Vacuum† (a) N.A.
- Man Trans †Included w/Air Inlet Duct Assy
- (a) Cut to Fit
- 12 Clip, Mounting Man Trans (3) BC1D-56-145 Auto Trans (2) BC1D-56-145
- 13 Shield Assy, Heat Man Trans N3H3-13-3C0D Auto Trans N3H1-13-3C0B
- 14 Bushing, Mtg† (3) FE51-13-363
- 15 Spacer, Bushing† (2) FE51-13-329
- 16 Insulator† (4) L813-13-363A
- 17 Grommet, Mtg† (2) E367-13-208
- 18 Collar† (2) E367-13-211
- 19 Pipe, Vacuum† Man Trans N3H3-20-41XA
- 20 Hose, Vacuum† Man Trans N.A.
- Auto Trans †Included w/Heat Shield Assy
- 21 Hose Assy, Outlet Man Trans-Serviced by Components N3H2-13-220D
- 22 Hose, Outlet Man Trans N3H1-13-221D Auto Trans† N3H1-13-221D
- 23 Chamber, Resonator Man Trans N3H6-13-195A Auto Trans† N3H2-13-195A
- 24 Tube, Vacuum Man Trans N3H1-20-342B Auto Trans† N3H1-20-342B
- 25 Connector, Hose (3) Man Trans FEMJ-13-758 Auto Trans† FEMJ-13-758
- †Included w/Outlet Hose Assy
- 26 Sensor Assy, Mass Air Flow ZL01-13-215R-00
- 27 O-Ring, Sensor† ZL01-13-214
- †Included w/Mass Air Flow Sensor Assy
- 28 Valve, Solenoid Man Trans ZM03-18-741
- 29 Brkt, Solenoid Valve Man Trans N3H3-18-742
- 30 Chamber, Vacuum Man Trans BPD3-20-339
- 31 Hose, Vacuum† N.A.
- †Cut to Fit

EXHAUST

035-04178

1	Manifold, Exhaust	N3H3-13-450C
2	Gasket, Manifold	N3H1-13-461B
3	Sensor, Front Oxygen-See Emission System Section	N3H1-40-305
4	Gasket, Flange	N3H1-40-305
5	Converter Assy, Catalytic	N3H4-20-55XL
6	Gasket, Converter	L315-40-581
*Included w/Catalytic Converter Assy		
7	Sensor, Rear Oxygen-See Emission System Section	N3H1-40-600B
8	Pipe, Intermediate	N3H1-40-100H
9	Muffler	N3H1-40-100H

EMISSION SYSTEM

035-04189

1	Sensor, Front Oxygen	N3H3-18-8G1A
Man Trans		N3H2-18-8G1B
Auto Trans		N3H2-18-8G1B
2	Sensor, Rear Oxygen	N3H3-18-861B
Man Trans		N3H2-18-861C
Auto Trans		N3H1-13-81XB
3	Pump Assy, Air	N3H2-13-363
4	Insulator, Mounting (3)	N3H2-13-329
5	Spacer (3)	N3H2-18-051
6	Harness, Pump	N3H1-20-751
*Included w/Air Pump Assy		
7	Hose, Air	N3H1-13-363
8	Mount, Pump	N3H1-13-920
9	Brkt, Air Pump	N3H1-18-831
10	Resistor	KL47-18-211A
11	Sensor, Boost	N3H3-13-363A
12	Insulator, Mounting (2)	N3H1-13-990B
13	Valve, Air Control	N3H1-13-996
14	Gasket, Valve	N3H1-13-820A
15	Pipe, Air	N3H3-13-996
Man Trans		N3H1-13-996
Auto Trans		N3H4-13-970A
16	Gasket, Pipe	
17	Canister, Vapor	

ELECTRICAL

ALTERNATOR

035-04192

1	Alternator Assy	N3H1-18-300A
2	Pulley, Alternator	N3H1-18-W11
*Included w/Alternator Assy		
3	Belt, Drive-See Cooling Section	
4	Brkt, Adjuster	N3H1-18-360A
5	Bolt, Adjuster	N390-15-966

BATTERY

035-04193

1	Battery	N.A.
2	Hold-Down, Battery	H384-56-03XA
3	Bolt, Hold-Down (2)	0259-54-292A
4	Cover, Uptr Battery	N3H1-18-593D
5	Cover, Lwr Battery	N3H1-18-591D
6	Tray Assy, Battery	F151-56-040E
7	Brkt, Battery Tray	F151-56-04YB
*Included w/Battery Tray Assy		
8	Duct, Air	N3H1-18-596A
9	Clip, Duct (2)	GJ21-28-803
Cable, Positive-Serviced w/Engine Harness		
Cable, Negative-Serviced w/Engine Harness		
Harness, Engine		
Man Trans		F151-67-070C
Auto Trans		F154-67-070C

HORN

035-04194

1	Horn, High Note	F151-66-78Y
2	Horn, Low Note	F151-66-79Y

IGNITION

035-04195

1	Module, Powertrain Control	N3Z2-18-881J
Man Trans		N3Z1-18-881H
Auto Trans		
Bracket, Module		
2	Side	R N3H1-18-885
L		N3H2-18-885
3	Front	N3H1-18-883
4	Case, Control Module	F151-67-F21A
5	Duct, Right Air	N3H1-18-781B
6	Duct Assy, Left Air	N3H1-18-78YA
7	Hose, Air	N3H1-18-783
*Included w/Left Air Duct Assy		
8	Coil Assy, Ignition	N3H1-18-10XA
9	Coil, Ignition (4)	N3H1-18-100
10	Bracket, Coil	N3H1-18-105
*Included w/Ignition Coil Assy		
11	Wire Set, Ignition	N3H1-18-140A

NAVIGATION SYSTEM

035-04196

1	Display Assy, Navigation	F151-66-DV0A
2	Clip, Spring (10)	B30D-64-345
*Included w/Navigation Display Assy		
3	Control, Navigation	FE15-66-9L1
4	Navigation Unit	FE01-66-DF0
5	Antenna, GPS	F151-66-DY0

STARTER

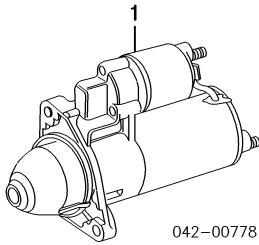
*Illustration Located in Next Column

1	Starter	N3H1-18-400
Man Trans		N3H2-18-X65
Auto Trans		

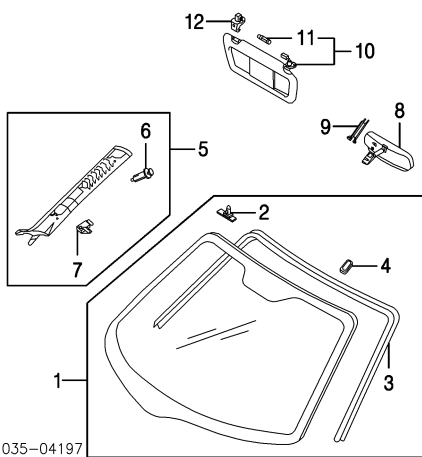
MAZDA RX-8 2004

ELECTRICAL Cont'd

STARTER Cont'd



WINDSHIELD



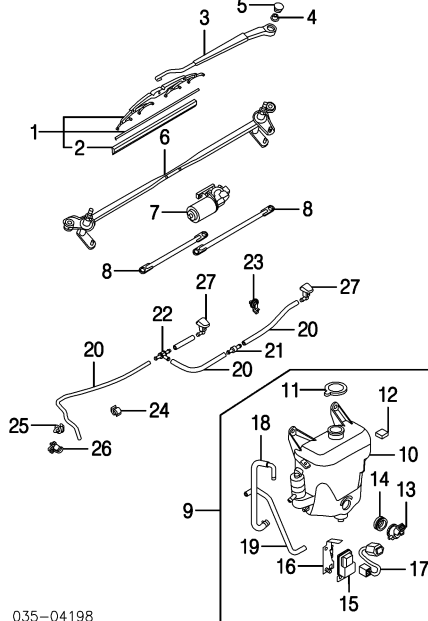
035-04197

- | | | |
|--|---------------------|--|
| 1 Glass Assy, Windshield | Mazda | |
| Man Day/Night Mirror w/VIN Plate | FE01-63-900E | |
| w/o VIN Plate | FE03-63-900A | |
| Auto Day/Night Mirror | FE02-63-900E | |
| 2 Pin, Moulding (3) | D376-63-938 | |
| 3 Moulding, Windshield (1) | FE15-50-601A | |
| 4 Mount, Mirror (1) | | |
| Man Day/Night Mirror | BC1C-69-240 | |
| Auto Day/Night Mirror-Serviced w/Windshield Glass Assy | | |
| Adhesive | N.A. | |
| 5 Garnish Assy, Windshield | | |
| R | F152-68-160C-77 | |
| L | F152-68-170C-77 | |
| Clip, Trim (1) | | |
| 6 Type 1 | R/L GJ6A-68-162 | |
| 7 Type 2 (2/Side) | R/L LB82-64-345 | |
| *Included w/Windshield Garnish Assy | | |
| 8 Mirror, Rear View | | |
| Man Day/Night | HG82-69-220A | |
| Auto Day/Night | GK2E-69-220A | |
| 9 Cover, Mirror | | |
| Auto Day/Night | FE01-69-225 | |
| 10 Visor Assy, Sun | | |
| R | FE01-69-270C-77 | |
| L | FE02-69-320B-77 | |
| 11 Bulb, Visor (1) | R/L N.A. | |
| *Included w/Sun Visor Assy | | |
| 12 Clip, Visor | R/L LC62-69-261A-77 | |

WIPER SYSTEM

Illustration Located in Next Column

- | | | |
|------------------------------|-------------|-------------|
| 1 Blade Assy, Wiper | | |
| R | BE5J-67-330 | |
| L | DC20-67-330 | |
| 2 Refill, Wiper (1) | | |
| R | B16B-67-333 | |
| L | H430-67-333 | |
| *Included w/Wiper Blade Assy | | |
| 3 Arm, Wiper | R | FE02-67-321 |
| | L | FE01-67-321 |
| 4 Nut, Wiper Arm | R/L | 9090-10-801 |
| 5 Cap, Wiper Arm | R/L | G22C-67-395 |
| 6 Link, Wiper | | |
| w/Cold Climate Spec | | FE02-67-360 |
| w/o Cold Climate Spec | | FE01-67-360 |
| 7 Motor, Wiper | | |
| w/Cold Climate Spec | | FE02-67-340 |
| w/o Cold Climate Spec | | FE01-67-340 |
| 8 Arm, Wiper Link | R | F151-67-361 |



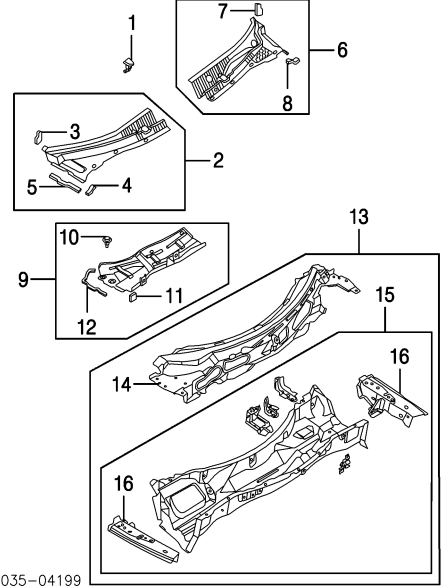
035-04198

- | | | |
|-----------------------------------|--|---------------|
| 9 Tank Assy, Washer | | |
| w/ H/Lamp Washers | | L F151-67-362 |
| w/o H/Lamp Washers | | FE03-67-480B |
| Std Capacity | | FE01-67-480A |
| Large Capacity | | FE02-67-480A |
| 10 Tank, Washer (1) | | |
| w/ H/Lamp Washers | | FE03-67-481A |
| w/o H/Lamp Washers | | FE01-67-481A |
| Std Capacity | | FE02-57-481A |
| Large Capacity | | GJ6A-67-483A |
| 11 Cap, Tank (1) | | |
| 12 Switch, Level (1) | | |
| w/ H/Lamp Washers | | FE03-67-488 |
| 13 Pump, Washer (1) | | FE01-67-482 |
| 14 Grommet, Pump (1) | | G22C-67-491 |
| 15 Pump, H/Lamp Washer (1) | | FE03-51-816 |
| 16 Bracket, Pump (1) | | FE03-51-815A |
| 17 Harness, Pump (1) | | FE05-51-213 |
| 18 Pipe, H/Lamp Washer (1) | | FE03-51-403 |
| 19 Hose, Washer Tank (1) | | |
| Std Capacity | | FE01-67-501 |
| Large Capacity | | FE02-67-501 |
| *Included w/Washer Tank Assy | | |
| 20 Hose, Washer Nozzle (1) | | N.A. |
| *Cut to Fit | | |
| Connector, Hose | | |
| 21 Type 1 | | E112-67-502 |
| 22 Type 2 | | F152-67-502 |
| Clip, Washer Hose | | |
| 23 Type 1 (2) | | F151-67-519 |
| 24 Type 2 (3) | | F152-67-519 |
| 25 Type 3 | | F153-67-519 |
| 26 Type 4 | | B367-18-867 |
| 27 Nozzle, Washer | | |
| R | | FE02-67-510 |
| L | | FE01-67-510 |

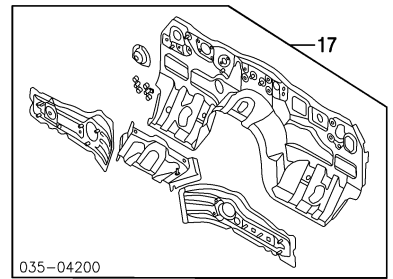
COWL & DASH

Illustration Located in Next Column

- | | |
|--|--------------|
| 1 Nozzle, Washer-See Windshield Section | |
| 2 Grille Assy, Right Cowl | FE01-50-7R0C |
| 3 Moulding, Cowl (1) | FE01-51-PB1B |
| Gasket, Right Cowl Grille (1) | |
| 4 Type 1 | F152-50-795 |
| 5 Type 2 | F156-50-795 |
| *Included w/Right Cowl Grille Assy | |
| 6 Grille Assy, Left Cowl | FE01-50-7S0C |
| 7 Moulding, Cowl (1) | F151-50-795 |
| 8 Gasket, Left Cowl Grille (1) | F151-50-795 |
| *Included w/Left Cowl Grille Assy | |
| 9 Grille Assy, Center Cowl | FE01-50-7P0A |
| 10 Clip, Cowl (6) | F151-51-833 |
| Gasket, Center Cowl Grille (1) | |
| 11 Type 1 | F154-50-795 |
| 12 Type 2 | FE01-50-795 |
| *Included w/Center Cowl Grille Assy | |
| 13 Cowl & Dash Assy | FE01-53-500C |
| 14 Panel, Cowl (1) | FE01-53-5A0A |
| 15 Panel Assy, Upper Dash (1) | FEY1-53-510 |
| 16 Plate, Upper Cowl (1) (a) | |
| R | FE01-53-580A |
| L | FE01-54-580A |
| *Included w/Cowl & Dash Assy | |
| (a) Included w/Upper Dash Panel Assy | |
| 17 Panel, Lower Dash | FE01-53-400 |

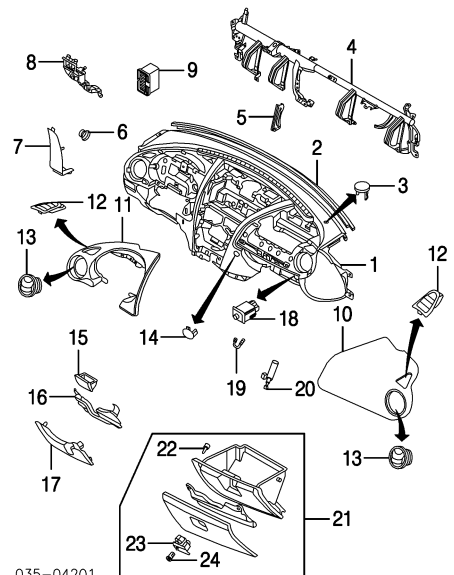


035-04199



035-04200

INSTRUMENT PANEL

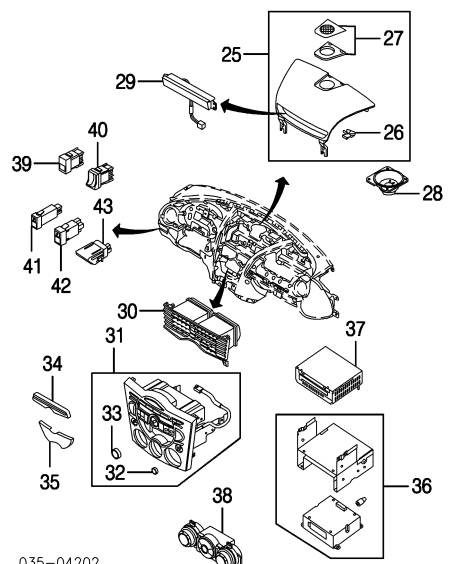


035-04201

- | | | |
|--|-------------------|-------------|
| 1 Panel, Instrument | N.A. | |
| 2 Seal, Inst Panel | | |
| No. 1 | F151-55-162 | |
| No. 2 | F151-55-163 | |
| 3 Cover, Sensor | FE01-61-799 | |
| 4 Member, Inst Panel | FE01-60-420C | |
| 5 Bracket, Member | FE01-60-453 | |
| 6 Cap, Inst Panel (2) | | |
| L | FE01-60-397 | |
| R | F151-64-950B-02 | |
| 7 Panel, Side | | |
| L | F151-64-960B-02 | |
| R | L F151-64-960B-02 | |
| 8 Panel, Switch | L | FE01-55-311 |
| 9 Block, Fuse | L | F151-66-730 |
| 10 Module, Passenger Air Bag-See Air Bag System Section | | |
| 11 Pad, Inst Panel | FE01-60-350A-02 | |

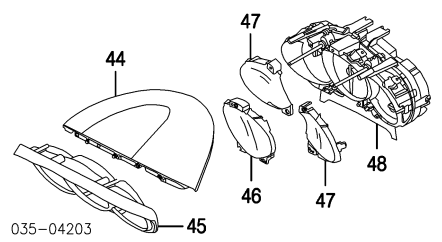
- 12 Grille, Defroster R F151-60-160
L F151-60-170
- 13 Grille, Side Vent R/L F151-64-730
- 14 Cover, Hole FE01-55-723A-02
- 15 Box, Coin L FE01-64-18YA-02
- 16 Bolster, Knee L FE01-60-K90
- 17 Panel, Lower L FE01-64-280-02
- 18 Switch, Valet GK2A-66-4K0
- 19 Striker, Glove Box F151-64-101
- 20 Damper, Glove Box FE01-64-08XB
- 21 Box Assy, Glove FE01-64-030-02
- 22 Bumper, Rubber (2) LB82-64-046
- 23 Lock, Glove Box (1) FE01-64-090A-02
- 24 Cylinder, Lock (1) GE4T-64-09YB-00

†Included w/Glove Box Assy



035-04202

- 25 Cover Assy, Center w/Navigation System (See Electrical Section w/o Navigation System) F151-55-210B
6 Speaker System F152-55-210B
9 Speaker System †Serviced w/Navigation Display Assy
- 26 Clip, Spring (a) (10) B30D-64-345
- 27 Grille, Speaker (a) 9 Speaker System F151-55-531
(a) Included w/Center Cover Assy
- 28 Speaker, Dash 9 Speaker System F151-66-960
- 29 Display, Information F151-61-1J0
- 30 Grille, Center Vent F151-64-930
- 31 Panel Assy, Center FE01-66-9H0
- 32 Knob, Control (2) F152-66-BC1
- 33 Knob, Volume (1) F151-66-BC1
†Included w/Center Panel Assy
- 34 Trim, Upper w/CD Changer F153-66-BG4
w/o CD Changer F152-66-BG4
- 35 Trim, Lower F151-66-BC0
- 36 Radio 6 Speaker System FE01-66-AS0
9 Speaker System FE02-66-AS0
- 37 Player, CD w/Auto Changer TC87-79-EG0
w/o Auto Changer GK1R-66-AG0
- 38 Control, A/C/Heater FE01-61-190
- 39 No. 1 (2) GJ6E-55-225
- 40 No. 2 w/DSC GJ6E-55-225
- 41 Rheostat F151-66-6R0A
- 42 Switch, Dynamic Stability Cont GJ6E-66-4T0
- 43 Switch, Luggage Lid GK2A-66-630

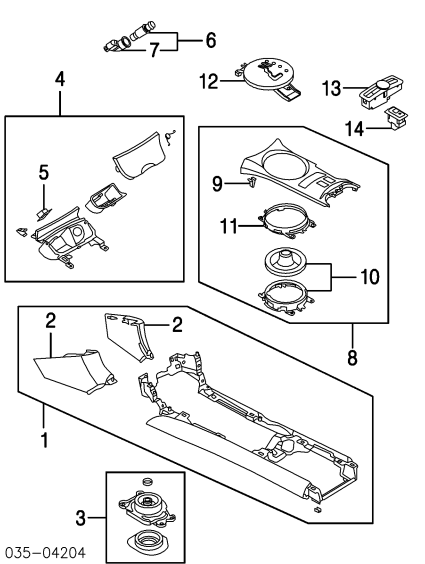


035-04203

- 44 Hood, Inst Cluster FE01-55-463-02
- 45 Panel, Cluster FE01-55-214-02
- 46 Lens, Cluster Center F151-55-447
- 47 Side R F157-55-447
L F154-55-447
- 48 Cluster, Instrument Man Trans FE05-55-471

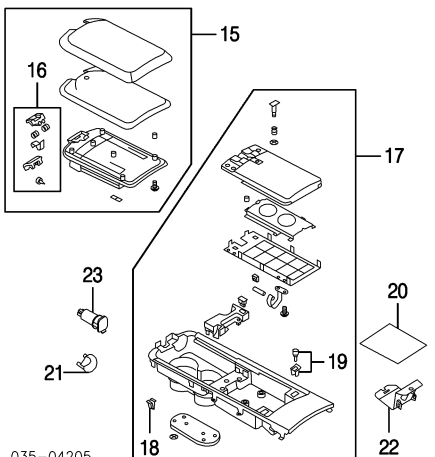
Auto Trans FE01-55-471

CENTER CONSOLE



035-04204

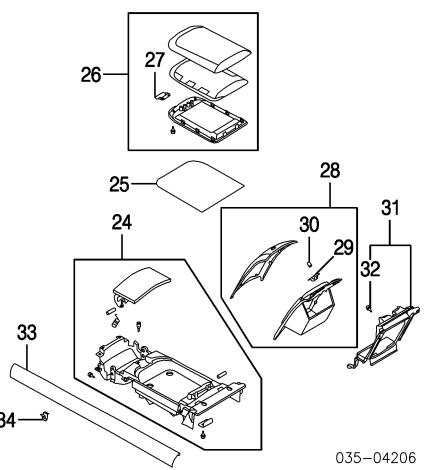
- 1 Console Assy, Front F151-64-320D-02
- 2 Panel, Side (1) R F151-64-231A-02
L F151-64-241-02
†Included w/Front Console Assy
- 3 Boot, Lower Shift Man Trans F157-64-490
- 4 Ashtray Assy F151-64-610A-02
- 5 Lamp, Ashtray (1) F151-64-61Y
†Included w/Ashtray Assy
- 6 Lighter Assy, Cigarette F151-66-250
- 7 Ring, Illumination (1) F151-66-251
†Included w/Cigarette Lighter Assy
- 8 Panel Assy, Front Console Man Trans w/Navigation System F152-64-430D-02
Cloth Seats FE20-64-430C-02
Leather Seats w/o Navigation System F151-64-430D-02
Cloth Seats FE04-64-430C-02
Leather Seats
- 9 Clip, Panel (a) (a) As Required F151-64-333
- 10 Plate, Trim (1) F151-64-330A
- 11 Boot, Shift (1) Man Trans F151-64-330A
†Included w/Front Console Panel Assy
- 12 Indicator, Shift Auto Trans FE01-64-350A
- 13 Control, Navigation-See Electrical Section R GJ6E-66-420-02
L GJ6A-66-420-02
- 14 Switch, Seat Heater



035-04205

- 15 Lid Assy, Console F151-64-36YB-02
- 16 Latch, Console Lid (1) F151-55-28XA
†Included w/Console Lid Assy

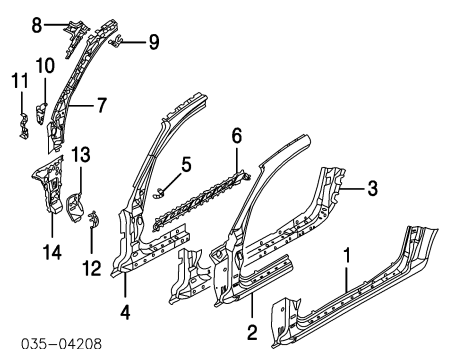
- 17 Holder Assy, Cup w/Navigation System FE05-64-39XB-02
w/o Navigation System FE01-64-39XB-02
- 18 Clip, Panel (a) (a) As Required S47P-64-345
- 19 Bumper, Lid (1) F151-64-47X
†Included w/Cup Holder Assy
- 20 Mat, Console F151-64-393B
- 21 Cover, Front Hole F151-55-721
- 22 Cover, Rear Hole F151-55-723A
- 23 Socket, Power GK2A-66-290



035-04206

- 24 Box, Rear Console w/Navigation System F152-64-440A-02
w/o Navigation System F151-64-440B-02
- 25 Mat, Box w/Navigation System F152-64-449A
w/o Navigation System F151-64-449A
- 26 Lid Assy, Box F151-64-460-02
- 27 Latch, Lid (1) F151-64-453
†Included w/Box Lid Assy
- 28 Box Assy, Storage F151-64-50XA-02
- 29 Lock, Storage Box (1) F151-64-45YA
- 30 Cylinder, Lock (1) GE4T-64-09YB-00
†Included w/Storage Box Assy
- 31 Frame Assy, Back F151-64-510
- 32 Cushion, Console Box (3) LB82-64-046
†Included w/Back Frame Assy
- 33 Panel, Side Console R F151-64-421
L F152-64-421
- 34 Clip, Panel (1) R/L S47P-64-345
†As Required

ROCKER/PILLARS/FLOOR SHEET METAL



035-04208

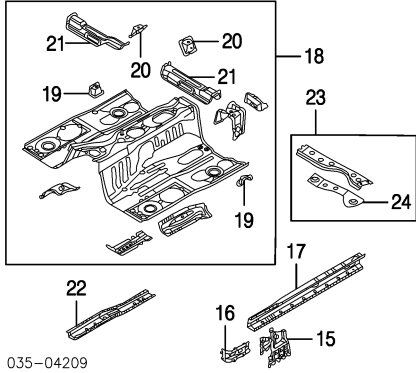
- 1 Panel, Outer Side Sill R F1Y1-70-270
L F1Y1-71-270
- 2 Pillar, Outer Hinge R F1Y1-70-220A
L F1Y1-71-220
- 3 Panel, Inner Side Sill R F1Y1-70-27XA
L F1Y1-71-27X
- 4 Reinf, Hinge Pillar R F1Y1-70-030A
L F1Y1-71-030
- 5 Bracket, Pillar R F151-70-21Y
L F151-71-21Y
- 6 Gusset, Sill R F151-70-135
L F151-71-135
- 7 Pillar, Inner Hinge R F1Y1-70-240
L F1Y1-71-240
- 8 Reinf, Up Pillar R F151-70-24Z
L F151-71-24Z
- 9 Brkt, Front Assist Handle R FE01-70-192
L FE01-71-26XA
- 10 Brkt, Inst Panel R FE01-70-260
L FE01-71-260
- 11 Brkt, Inner Pillar R F151-70-071D
L F151-71-071D
- 12 Brkt, Fender

MAZDA RX-8 2004

ROCKER/PILLARS/FLOOR Cont'd

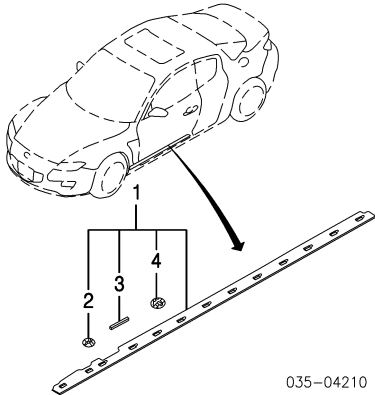
SHEET METAL Cont'd

- 13 Reinf, Lwr Hinge Pillar R F151-70-058
L F151-71-058
- 14 Reinf, Side Cowl R F151-70-651
L F151-71-651



- 15 Panel, Upper Sill R F151-53-95ZA
L F151-54-95ZA
 - 16 Gusset, Sill R/L F151-56-521
 - 17 Sill, Floor R F151-53-950D
L F151-54-950C
 - 18 Panel Assy, Front Floor F151-53-600E
 - 19 Bracket, Front Seat R/L F151-53-630A
 - 20 Bracket, Rear Seat R F151-53-620A
L F151-54-620A
 - 21 Crossmember, Floor F151-53-650B
L F151-54-650B
 - 22 Support, Front Floor R/L F151-53-660A
 - 23 Bracket Assy, Center F151-56-H20B
 - 24 Bracket, Tunnel F151-56-H20B
- †Included w/Front Floor Panel Assy*
†Included w/Center Bracket Assy

EXTERIOR TRIM

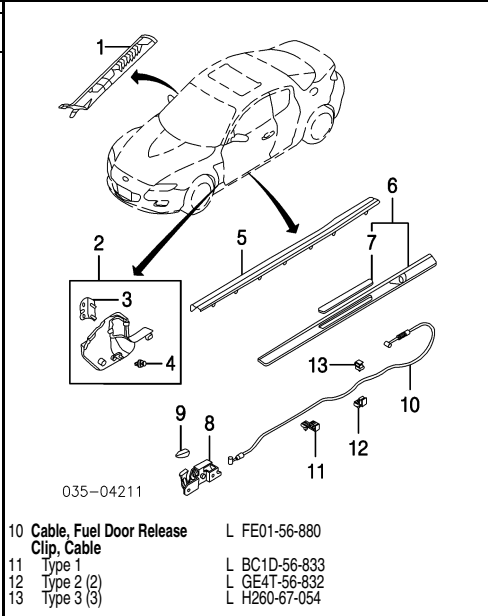


- 1 Guard Assy, Stone w/Sport Susp R F159-50-480A
L F159-50-490A
 - 2 Clip, Front (2/Side) R/L C100-51-SJ3A
 - 3 Gasket R/L F151-50-856
 - 4 Clip, Rear (1/Side) R/L F151-51-SJ3A
- †Included w/Stone Guard Assy*

INTERIOR TRIM

Illustration Located in Next Column

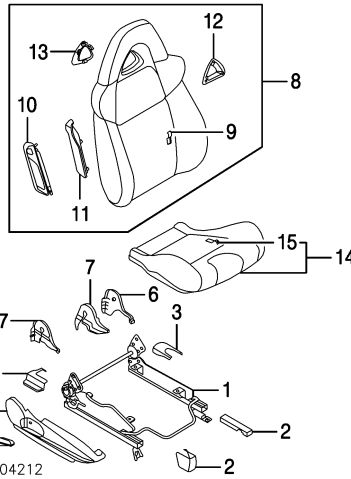
- 1 Garnish Assy, Windshield-See Windshield Section
- 2 Panel Assy, Cowl Trim R F151-68-370B-02
L FE01-68-390B-02
- 3 Cover, Trim Panel F151-68-381B-02
- 4 Clip, Trim (2/Side) R/L GE4T-68-865A
- 5 Plate, Inner Scuff R F151-68-710B-02
L F151-68-720B-02
- 6 Plate Assy, Outer Scuff R F151-68-730C-02
L F151-68-740B-02
- 7 Insert, Scuff Plate R/L F151-68-715A
- 8 Release, Fuel Door L FE01-56-860A
- 9 Knob, Release L ET11-56-862A



- 10 Cable, Fuel Door Release L FE01-56-880
- Clip, Cable
- 11 Type 1 L BC1D-56-833
- 12 Type 2 (2) L GE4T-56-832
- 13 Type 3 (3) L H260-67-054

FRONT SEAT

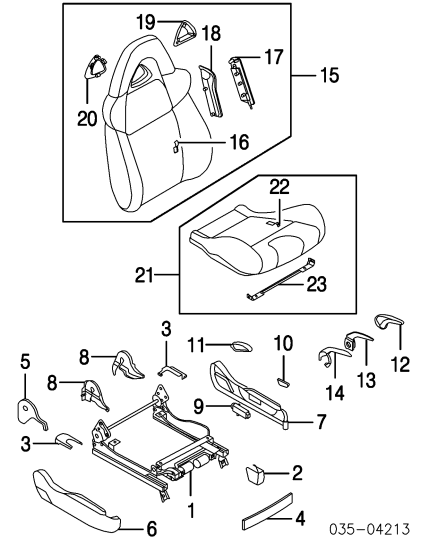
PASSENGER SIDE



- 1 Track, Seat FE01-88-A00
- 2 Cover, Front Seat Track R F151-57-041-02
L F151-57-042-02
- 3 Cover, Rear Seat Track R F151-57-051-02
L F151-57-052-02
- 4 Panel, Seat Trim R FE01-88-1GX-02
- 5 Knob, Adjuster R F151-88-1G5-02
- 6 Cover, Outer Bracket L F151-88-1LX-02
- 7 Cover, Inner Bracket R F151-88-1F4-02
L FE01-88-1F7-02
- 8 Back Assy, Seat
Cloth FE01-88-130A-02
Leather
Black (Code FF3) FE02-88-130A-02
Brown/Black (Code FF5) FE02-88-130A-23
Red/Black (Code FF4) FE02-88-130B-15
- 9 Trim, Seat Back
Cloth FE01-88-131A-02
Leather
Black (Code FF3) FE02-88-131A-02
Brown/Black (Code FF5) FE02-88-131A-23
Red/Black (Code FF4) FE02-88-131A-15
- Heater, Seat Back
Leather Seat FE02-88-122
- 10 Module, Side Air Bag-See Air Bag System Section
- 11 Cover, Side
Cloth Seat F151-88-2M2
Leather Seat F153-88-2M2
F151-88-1L9A
- 12 Bezel, Front Seat Hole
13 Bezel, Rear Seat Hole
Cloth Seat F151-88-1M9
- 14 Cushion Assy, Seat
Cloth Seat F151-88-110-02
Leather Seat
Black (Code FF3) FE02-88-110-02
Brown/Black (Code FF5) FE02-88-110-23
Red/Black (Code FF4) FE02-88-110A-15
- 15 Trim, Seat Cushion
Cloth Seat F151-88-111A-02

- Leather Seat FE02-88-111-02
 - Black (Code FF3) FE02-88-111-23
 - Brown/Black (Code FF5) FE02-88-111A-15
 - Red/Black (Code FF4)
 - Heater, Seat Cushion FE02-88-121
 - Leather Seat
- †Included w/Seat Cushion Assy*

DRIVER SIDE



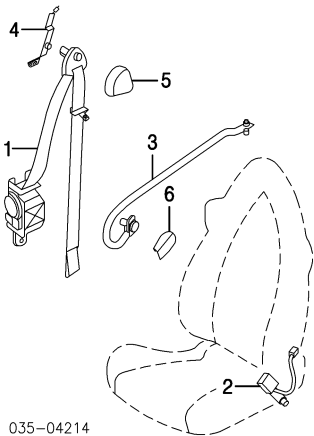
- 1 Track, Seat
Man Seat FE01-88-H50A
Pwr Seat FE02-88-AFC
- 2 Cover, Front Seat Track R/L F151-57-041-02
- 3 Cover, Rear Seat Track R F151-57-053-02
L F151-57-054-02
- 4 Trim, Front Seat
Pwr Seat FE02-88-1K9-02
- 5 Panel, Right Seat Trim F151-88-1MX-02
- 6 Pwr Seat FE02-88-1MX-02
- 7 Panel, Left Seat Trim
Man Seat FE01-88-1HX-02
Pwr Seat FE02-88-1HX-02
- 8 Cover, Inner Bracket
Man Seat R FE01-88-1G4-02
L F151-88-1G7-02
Pwr Seat R FE02-88-1G4-02
L FE02-88-1G7-02
L GK3J-88-158
- 9 Switch, Pwr Seat
- 10 Knob, Switch
Recliner L GK3J-88-1H5-02
Lumbar L FE02-88-188
Slide L GK3J-88-167-02
- 11 Knob, Recliner
Man Seat F151-88-1H5-02
- 12 Lever, Lifter
Man Seat L GJ6A-88-857-02
- 13 Lever, Inner
Man Seat L GJ6A-88-15Y
- 14 Cover, Lever
Man Seat L GJ6A-88-4E5-02
- 15 Back Assy, Seat
Cloth FE01-88-180B-02
Leather
Black (Code FF3) FE02-88-180C-02
Brown/Black (Code FF5) FE02-88-180C-23
Red/Black (Code FF4) FE02-88-180C-15
- 16 Trim, Seat Back
Cloth FE01-88-181A-02
Leather
Black (Code FF3) FE02-88-181A-02
Brown/Black (Code FF5) FE02-88-181-23
Red/Black (Code FF4) FE02-88-181A-15
- Heater, Seat Back
Leather Seat FE02-88-122
- 17 Module, Side Air Bag-See Air Bag System Section
- 18 Cover, Side
Cloth Seat F151-88-2M3
Leather Seat F153-88-2M3
F151-88-1L9A
- 19 Bezel, Front Seat Hole
20 Bezel, Rear Seat Hole
Cloth Seat F151-88-1M9
- 21 Cushion Assy, Seat
Cloth Seat FE01-88-160-02
Leather Seat
Black (Code FF3) FE02-88-160A-02
Brown/Black (Code FF5) FE02-88-160A-23
Red/Black (Code FF4) FE02-88-160B-15
- 22 Trim, Seat Cushion
Cloth Seat F151-88-161A-02
Leather Seat
Black (Code FF3) FE02-88-161A-02
Brown/Black (Code FF5) FE02-88-161-23
Red/Black (Code FF4) FE02-88-161A-15
- Heater, Seat Cushion

Leather Seat FE02-88-121
 23 Bracket, Seat Cushion¶ F153-88-164
 Leather Seat F153-88-164
 ¶Included w/Seat Cushion Assy

REAR SEAT

SEAT BELTS

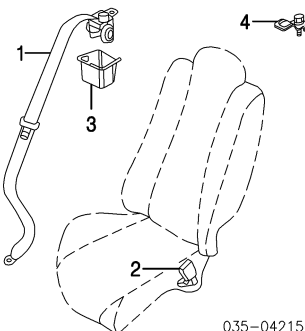
FRONT



035-04214

- | | |
|------------------------------------|--|
| 1 Belt, Seat | R FE01-57-L30D-02
L F151-57-L30D-02 |
| 2 Buckle, Seat Belt
Cloth Seats | R F151-57-620A
L F152-57-620A |
| Leather Seats | R/L F152-57-620A |
| 3 Rail, Seat Belt | R F151-57-93Y
L F151-57-99Y |
| 4 Bracket, Seat Belt | R F151-57-92X
L F151-57-99X |
| 5 Cover, Anchor | R/L S47P-57-631 |
| 6 Cap, Rail | R/L F151-57-638A |

REAR



035-04215

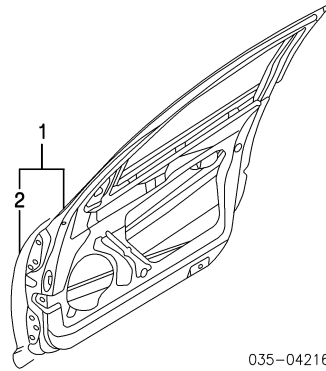
- | | |
|----------------------|---------------------------------|
| 1 Belt, Seat | R/L F151-57-730A-02 |
| 2 Buckle, Seat Belt | R/L F151-57-720 |
| 3 Cover, Retractor | R/L F152-57-988-9 |
| 4 Anchor, Child Seat | R GJ64-57-77ZA
L DE60-57-77Z |

FRONT DOOR

SHEET METAL

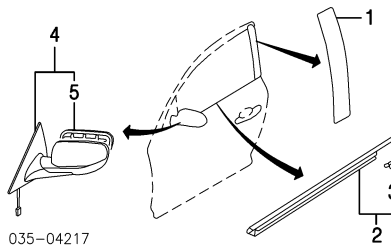
Illustration Located in Next Column

- | | |
|-----------------------|----------------------------------|
| 1 Shell Assy, Door | R F1Y1-58-02X
L F1Y1-59-02X |
| 2 Panel, Door Repair¶ | R F151-58-031D
L F151-59-031D |
- ¶Included w/Door Shell Assy



035-04216

EXTERIOR TRIM



035-04217

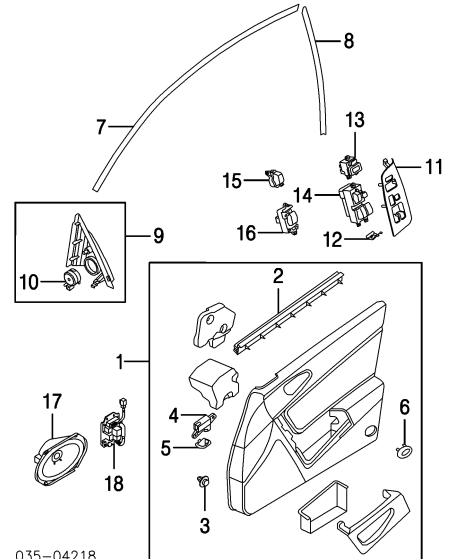
- | | |
|-----------------------------|----------------------------------|
| 1 Tape, Black-Out | R F151-50-8V1A
L F151-50-8W1A |
| 2 Moulding Assy, Outer Belt | R F151-50-640
L F151-50-650 |
| 3 Protector, Belt Moulding¶ | R F151-50-645
L F151-50-655 |
- ¶Included w/Outer Belt Moulding Assy
- | | |
|------------------------------------|--|
| 4 Mirror Assy, Rear View
Heated | R FE02-69-120F-PZ
L FE02-69-180F-PZ |
| Lightning Yellow (Code A4J) | R FE02-69-120C-93
L FE02-69-180F-93 |
| Nordic Green (Code 27C) | R FE02-69-120C-97
L FE02-69-180C-97 |
| Sunlight Silver (Code 22V) | R FE02-69-120C-67
L FE02-69-180F-67 |
| Titanium Gray (Code 29Y) | R FE02-69-120F-01
L FE02-69-180F-01 |
| Velocity Red (Code 27A) | R FE02-69-120F-87
L FE02-69-180F-87 |
| Winning Blue (Code 27B) | R FE02-69-120C-94
L FE02-69-180F-94 |
- | | |
|-----------------------------|--|
| Non-Heated | R FE01-69-120C-PZ
L FE01-69-180C-PZ |
| Lightning Yellow (Code A4J) | R FE01-69-120C-93
L FE01-69-180E-93 |
| Nordic Green (Code 27C) | R FE01-69-120C-97
L FE01-69-180E-97 |
| Sunlight Silver (Code 22V) | R FE01-69-120C-67
L FE01-69-180C-67 |
| Titanium Gray (Code 29Y) | R FE01-69-120C-01
L FE01-69-180E-01 |
| Velocity Red (Code 27A) | R FE01-69-120F-87
L FE01-69-180C-87 |
| Winning Blue (Code 27B) | R FE01-69-120C-94
L FE01-69-180F-94 |

- | | |
|------------------|--------------------------------|
| 5 Glass, Mirror¶ | R FE02-69-1G1
L FE02-69-1G7 |
| Non-Heated | R FE01-69-1G1
L FE01-69-1G7 |
- ¶Included w/Rear View Mirror Assy

INTERIOR TRIM

Illustration Located in Next Column

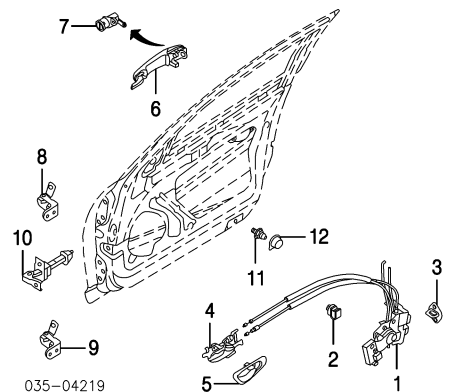
- | | |
|------------------------------|--|
| 1 Panel Assy, Trim
Cloth | R FE01-68-420C-02
L FE01-68-450C-02 |
| Leather | R FE02-68-420C-02
L FE02-68-450C-02 |
| Brown/Black (Code FF5) | R FE02-68-420C-23
L FE02-68-450C-23 |
| Red/Black (Code FF4) | R FE02-68-420C-15
L FE02-68-450C-15 |
| 2 Weatherstrip, Inner Belt¶ | R F151-58-821
L F151-59-821 |
| 3 Clip, Trim Panel¶ (9/Side) | R/L GJ6A-68-AB1 |



035-04218

- | | |
|------------------------|--------------------------------|
| 4 LED Unit¶ | R/L F151-66-100 |
| 5 Lens, LED¶ | R FE01-66-110
L F151-66-110 |
| 6 Lens, Courtesy Lamp¶ | R/L F151-68-4G1 |
- ¶Included w/Trim Panel Assy
- | | |
|-------------------------|--|
| 7 Tape, Upper Black-Out | R F151-50-8V3C-00
L F151-50-8W3C-00 |
| 8 Tape, Rear Black-Out | R F151-50-8V5D-00
L F151-50-8W5D-00 |
- | | |
|--|----------------------------------|
| 9 Trim Assy, Inner
6 Speaker System | R FE01-69-11YB
L FE01-69-17YB |
| 9 Speaker System | R F152-69-11YC
L F152-69-17YC |
- | | |
|--------------------|-----------------|
| 10 Speaker, Upper¶ | R/L GK2A-66-960 |
| 6 Speaker System | R/L F154-66-960 |
| 9 Speaker System | R/L F154-66-960 |
- ¶Included w/Inner Trim Assy
- | | |
|--------------------------|----------------------------------|
| 11 Panel, Switch | R FE01-68-4L1B
L FE01-68-4L6B |
| 12 Clip, Panel | R/L GE4T-68-8N1 |
| 13 Switch, Mirror | R GJ6A-66-600 |
| 14 Switch, Master Window | L FE01-66-350 |
| 15 Switch, Door Lock | R FE01-66-660 |
| 16 Switch, Assist Window | R F151-66-370 |
- | | |
|--|-----------------|
| 17 Speaker, Lower Door
6 Speaker System | R/L GJ6A-66-960 |
| 9 Speaker System | R/L F152-66-960 |
- | | |
|---|------------------|
| 18 Amplifier, Speaker
9 Speaker System | R/L F152-66-920A |
|---|------------------|

HARDWARE



035-04219

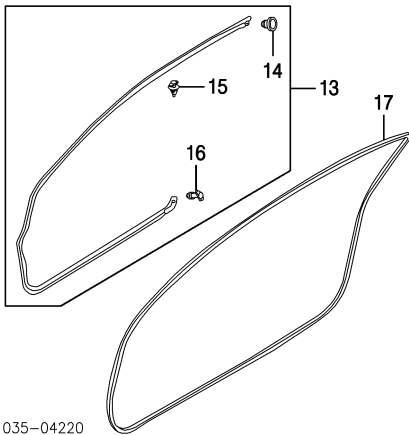
- | | |
|---|--|
| 1 Latch, Door
w/Theft Deterrent | R FE02-58-310B
L FE01-59-310B |
| w/o Theft Deterrent | R FE01-58-310
L FE01-59-310B |
| 2 Clip, Latch Cable | R/L H260-67-054 |
| 3 Striker, Front Door-See Rear Door Section | |
| 4 Handle, Inside | R F151-58-330B-02
L F151-59-330B-02 |
| 5 Bezel, Inside Handle | R F151-58-303B-02
L F151-59-303B-02 |
| 6 Handle, Outside
Brilliant Black (Code A3F) | R GJ6A-58-410D-PZ
L GJ6A-59-410E-PZ |
| Lightning Yellow (Code A4J) | R GJ6A-58-410D-93
L GJ6A-59-410E-93 |
| Nordic Green (Code 27C) | R GJ6A-58-410D-97 |

MAZDA RX-8 2004

FRONT DOOR Cont'd

HARDWARE Cont'd

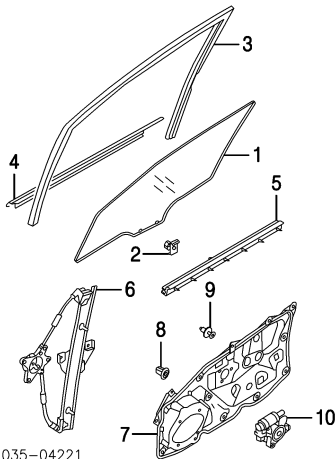
- | | | |
|----------------------------|-------------------|-------------------|
| Sunlight Silver (Code 22V) | L GJ6A-59-410E-97 | R GJ6A-58-410D-67 |
| Titanium Gray (Code 29Y) | L GJ6A-59-410E-67 | R GJ6A-58-410D-66 |
| Velocity Red (Code 27A) | L GJ6A-59-410E-66 | R GJ6A-58-410D-87 |
| Winning Blue (Code 27B) | L GJ6A-59-410E-87 | R GJ6A-58-410D-94 |
| | L GJ6A-59-410E-94 | R GJ6A-58-410D-94 |
- 7 **Cylinder, Door Lock**†
 †Included w/Vehicle Lock Set-listed in Steering Wheel/Column Section
 L FEY1-76-220
- 8 **Hinge, Upper Door** R F151-58-210
 L F151-59-210
- 9 **Hinge, Lower Door** R F151-59-210
 L F151-58-210
- 10 **Check, Door** R/L F152-58-270A
- 11 **Pin, Catch** R/L F151-58-917
- 12 **Cover, Catch Pin** R/L F151-58-973



035-04220

- 13 **Weatherstrip Assy, Door** R F151-58-760B
 L F151-59-760B
- Clip, Weatherstrip**†
- 14 Type 1 R/L F151-58-762
- 15 Type 2 (23/Side) R/L F154-58-762
- 16 Type 3 R/L F152-58-762
- †Included w/Door Weatherstrip Assy
- 17 **Weatherstrip, Door Opng** R F151-72-771A
 L F151-73-771E

GLASS & PARTS

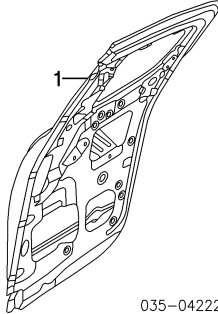


035-04221

- 1 **Glass, Front Door**
 Mazda R F151-58-511
 L F151-59-511
- 2 **Holder, Glass (2/Side)** R/L D350-58-502
- 3 **Run, Glass** R F151-58-605B
 L F151-59-605B
- 4 **Moulding Assy, Outer Belt-See Exterior Trim Section**
- 5 **Weatherstrip, Inner Belt**†-See Interior Trim Section
 †Included w/Trim Panel Assy
- 6 **Regulator, Window** R F151-58-590B
 L F151-59-590C
- 7 **Panel, Inner Mtg**
 6 Speaker System R F151-58-97XA
 L F151-59-97XA
- 9 Speaker System R F152-58-97XE
 L F152-59-97XD

- 8 **Grommet, Panel (12/Side)** R/L F151-58-975
- 9 **Clip, Panel** R/L BC1D-56-145
- 10 **Motor, Window** R GJ6A-58-58XB
 L G22C-59-58XB

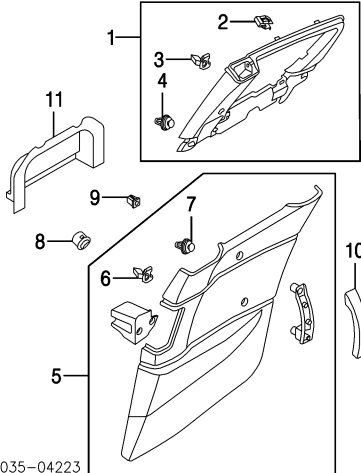
REAR DOOR SHEET METAL



035-04222

- 1 **Shell, Rear Door** R F151-72-020E
 L F151-73-020E

INTERIOR TRIM



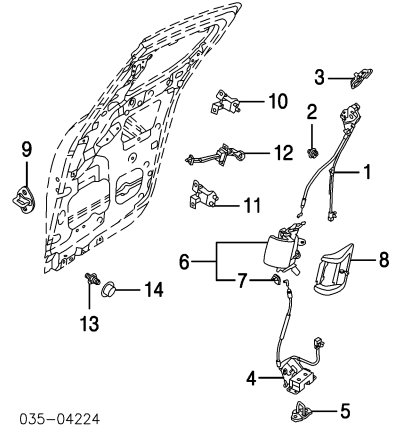
035-04223

- 1 **Panel Assy, Upper Trim** R F151-68-190G-02
 L F151-68-210G-02
- Clip, Trim**†
- 2 Type 1 (2/Side) R/L F151-68-865A
- 3 Type 2 R/L M020-68-865A
- 4 Type 3 (7/Side) R/L GE4T-68-865A
- †Included w/Upper Trim Panel Assy
- 5 **Panel Assy, Lower Trim**
 Cloth R FE01-68-520C-02
 L FE01-68-550C-02
- Leather
- Black (Code FF3) R FE02-68-520C-02
 L FE02-68-550C-02
- Brown/Black (Code FF5) R FE02-68-520C-23
 L FE02-68-550C-23
- Red/Black (Code FF4) R FE02-68-520C-15
 L FE02-68-550C-15
- Clip, Trim Panel**†
- 6 Type 1 R/L GJ21-68-865
- 7 Type 2 (6/Side) R/L GJ6A-68-AB1
- †Included w/Lower Trim Panel Assy
- 8 **Grommet, Trim Panel** R/L E001-68-506
- 9 **Grommet, Screw (2/Side)** R/L B316-69-361
- 10 **Cap, Pull Handle** R F151-68-D62B-02
 L F151-68-D82B-02
- 11 **Shield, Moisture** R/L F151-72-861

HARDWARE

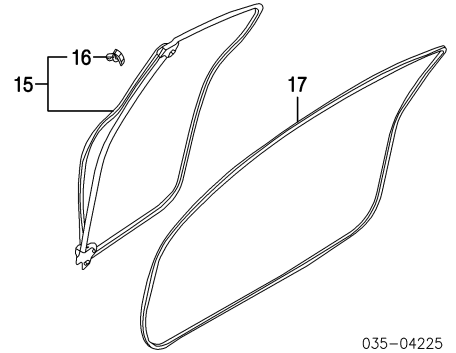
Illustration Located in Next Column

- 1 **Latch, Upper Door** R F151-72-310
 L F151-73-310B
- 2 **Clip, Cable** R/L B001-58-309A
- 3 **Striker, Upper Latch** R F151-72-361
 L F151-73-361
- 4 **Latch, Lower Door** R F152-72-310B
 L F152-73-310B
- 5 **Striker, Lower Latch** R/L F152-72-361A



035-04224

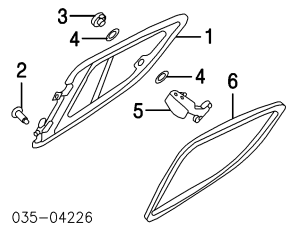
- 6 **Handle Assy, Door** R F151-72-330C-02
 L F151-73-330C-02
- 7 **Clip, Cable**†
 R DC69-59-315
 L DC69-58-315
- †Included w/Door Handle Assy
- 8 **Bezel, Door Handle** R F151-72-303C-02
 L F151-73-303C-02
- 9 **Striker, Front Door** R/L F151-58-361
- 10 **Hinge, Upper Door** R F151-72-210
 L F151-73-210
- 11 **Hinge, Lower Door** R F151-73-210
 L F151-72-210
- 12 **Check, Door** R/L F151-72-270
- 13 **Pin, Catch** R/L F151-58-917
- 14 **Cover, Catch Pin** R/L F151-58-973



035-04225

- 15 **Weatherstrip Assy, Door** R F151-72-760C
 L F151-73-760F
- 16 **Clip, Weatherstrip**†
 Type 1 (26/Side) R/L BC1D-58-762
- Type 2 (5/Side) R/L FD01-58-762
- Type 3 (2/Side) R/L F151-58-762
- Type 4 R/L F152-58-762
- †Included w/Door Weatherstrip Assy
- 17 **Weatherstrip, Door Opng-See Front Door Section**

GLASS & PARTS



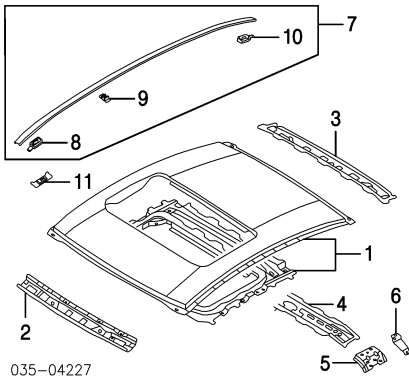
035-04226

- 1 **Glass, Rear Door**
 Mazda R FE01-72-5G0D
 L FE01-73-5G0D
- 2 **Bolt, Mounting (2/Side)** R/L 9YA5-30-604
- 3 **Nut, Glass** R/L 0419-72-525
- 4 **Washer, Glass (2/Side)** R/L S05B-72-523A
- 5 **Latch, Glass** R/L F151-72-3G0A
- 6 **W/Strip, Glass** R/L F151-72-7G1D

ROOF

SHEET METAL/EXTERIOR TRIM

Illustration Located in Next Column



035-04227

- 1 Panel, Roof
w/Sunroof F1Y3-70-60X
w/o Sunroof F1Y1-70-60X
- 2 Panel, Front Header F151-70-641
- 3 Panel, Rear Header F151-70-700
- 4 Reinf, Roof F151-70-660
- 5 Gusset, Roof Panel
w/Sunroof R F153-70-635
L F153-71-635
w/o Sunroof R F151-70-635
L F151-71-635
- 6 Brkt, Sunroof R F153-70-623
L F153-71-623

- 7 Moulding Assy, Roof
Brilliant Black (Code A3F) R F151-50-9H0-PZ
L F151-50-9L0-PZ
Lightning Yellow (Code A4J) R F151-50-9H0-93
L F151-50-9L0-93
Nordic Green (Code 27C) R F151-50-9H0-97
L F151-50-9L0-97
Sunlight Silver (Code 22V) R F151-50-9H0B-67
L F151-50-9L0C-67
Titanium Gray (Code 29Y) R F151-50-9H0-66
L F151-50-9L0C-01
Velocity Red (Code 27A) R F151-50-9H0-87
L F151-50-9L0-87
Winning Blue (Code 27B) R F151-50-9H0-94
L F151-50-9L0-94

- 8 Cap, Front Moulding
Brilliant Black (Code A3F) R F151-50-9H1-PZ
L F151-50-9L1-PZ
Lightning Yellow (Code A4J) R F151-50-9H1-93
L F151-50-9L1-93
Nordic Green (Code 27C) R F151-50-9H1-97
L F151-50-9L1-97
Sunlight Silver (Code 22V) R F151-50-9H1A-67
L F151-50-9L1A-67
Titanium Gray (Code 29Y) R F151-50-9H1-66
L F151-50-9L1-66
Velocity Red (Code 27A) R F151-50-9H1-87
L F151-50-9L1-87
Winning Blue (Code 27B) R F151-50-9H1-94
L F151-50-9L1-94

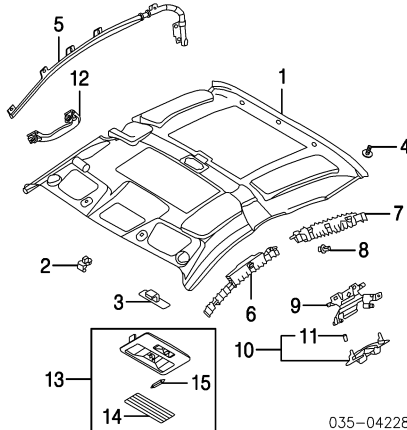
- 9 Protector, Moulding (2/Side) R/L GJ6A-50-9H9
- 10 Cap, Rear Moulding
Brilliant Black (Code A3F) R F151-50-9H2-PZ
L F151-50-9L2-PZ
Lightning Yellow (Code A4J) R F151-50-9H2-93
L F151-50-9L2-93
Nordic Green (Code 27C) R F151-50-9H2-97
L F151-50-9L2-97
Sunlight Silver (Code 22V) R F151-50-9H2A-67
L F151-50-9L2A-67
Titanium Gray (Code 29Y) R F151-50-9H2-66
L F151-50-9L2-66
Velocity Red (Code 27A) R F151-50-9H2-87
L F151-50-9L2-87
Winning Blue (Code 27B) R F151-50-9H2-94
L F151-50-9L2-94

- 11 Clip, Moulding (3/Side) R/L GJ6A-50-629

INTERIOR TRIM

Illustration Located in Next Column

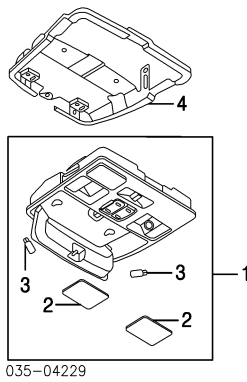
- 1 Headliner
w/Sunroof FE03-68-030D-77
w/o Sunroof FE01-68-030H-77
- 2 Clip, Visor-See Windshield Section
- 3 Clip, Ctr Headliner F151-68-0C0A
- 4 Clip, Rear Headliner (3) GJ21-68-885B-03
- 5 Module, Side Curtain Air Bag-See Air Bag System Section
- 6 Pad, Front Impact R FE01-68-H10C
L FE01-68-H20C
- 7 Pad, Rear Impact R F152-68-H50C
L F152-68-H60C
- 8 Clip, Rear Pad R/L H380-68-885
- 9 Bracket, Side Trim R F151-68-DL1A
L F151-68-DL6A
- 10 Trim Assy, Side R F151-68-12XA-02



035-04228

- 11 Clip, Trim (2/Side) L F151-68-12YA-02
R/L LA10-68-D21
*Included w/Side Trim Assy
- 12 Handle, Assist R GJ6A-69-470B-77
- 13 Lamp Assy, Dome D350-51-310D-77
- 14 Lens, Dome Lamp D350-51-311B
- 15 Bulb, Dome Lamp 9970-05-100L
*Included w/Dome Lamp Assy

OVERHEAD CONSOLE



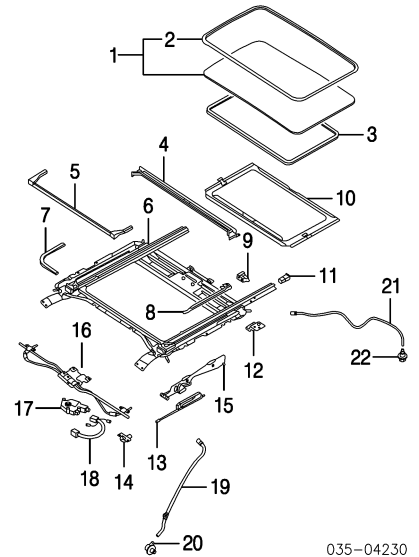
035-04229

- 1 Console Assy, Overhead
w/Sunroof GK2A-69-970B-77
w/o Sunroof GK2E-69-970-77
- 2 Lens (3) R GJ6A-69-973
L GJ6E-69-973
- 3 Bulb (1) R/L 0000-11-0194
*Included w/Overhead Console Assy
- 4 Brkt, Overhead Console
w/Sunroof F153-69-98X
w/o Sunroof F151-69-98XA

SUNROOF

Illustration Located in Next Column

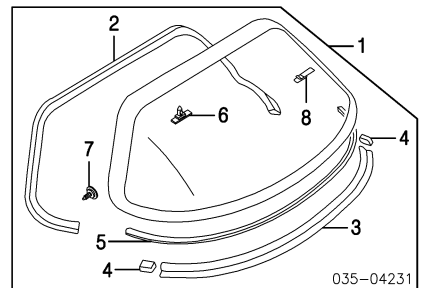
- 1 Glass Assy, Sunroof F153-69-810
- 2 W/Strip, Glass (1) F153-69-825
*Included w/Sunroof Glass Assy
- 3 Welt, Sunroof F153-69-981-77
- 4 Rail, Drip F153-69-867
- 5 Deflector F153-69-880
- 6 Frame, Sunroof F153-69-840
- 7 Cushion, Frame F153-69-849
- 8 Link, Sunroof R F153-69-9H1
L F153-69-9H2
- 9 Plate, Set R F153-69-858
L F153-69-859
- 10 Sunshade F153-69-890-77
- 11 Stopper, Sunshade R/L F153-69-892
- 12 Bracket, Sunroof R/L F153-69-843-4
- 13 Cable, Drive R/L F153-69-912-3
- 14 Guide, Front Cable R F153-69-877
L F156-69-877
- 15 Guide, Rear Cable R/L F153-69-862-3
- 16 Drive Unit F153-69-860
- 17 Motor, Sunroof F153-69-870
- 18 Harness, Sunroof F153-69-872
- 19 Hose, Front Drain R N.A.
L F153-69-920A
- 20 Grommet, Front Hose R/L G14T-69-926A
- 21 Hose, Rear Drain R F156-69-920
L F160-69-920



035-04230

- 22 Grommet, Rear Hose R/L LC73-61-557A

BACK WINDOW

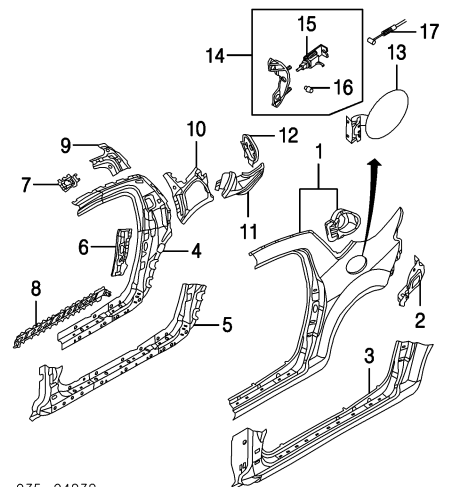


035-04231

- 1 Window Assy, Back Mazda FE01-63-930B
- 2 Moulding, Upper F151-50-611A
- 3 Moulding, Lower F151-50-614
- 4 Gasket, Joint (1) R/L F151-50-6G6A
- 5 Weatherstrip, Lower F151-50-899
- 6 Clip, Pin (3) Type 1 (3) D376-63-938
Type 2 F151-63-938A
- 7 Bolt, Stud (1) R/L F151-63-939A
- 8 Terminal, Glass (3) FB01-63-959
*Included w/Back Window Assy

QUARTER PANEL

SHEET METAL



035-04232

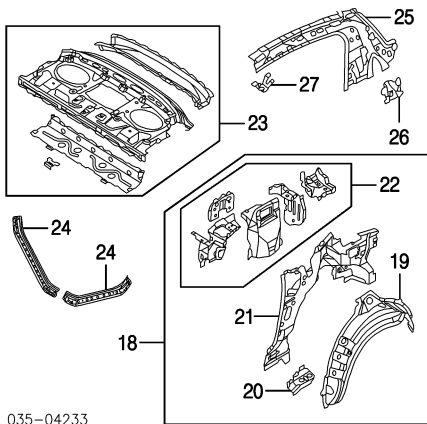
- 1 Panel, Outer Quarter R F1Y1-70-410D
L F1Y1-71-410C

MAZDA RX-8 2004

QUARTER PANEL Cont'd

SHEET METAL Cont'd

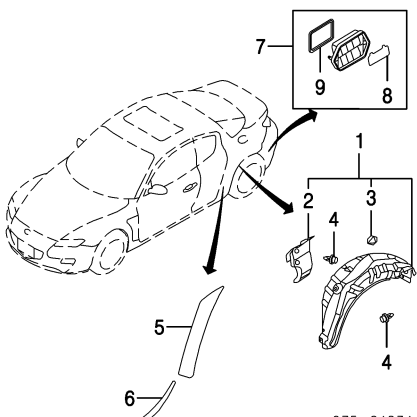
- 2 Panel, Lower Quarter R F151-70-4A1
L F151-71-4A1
- 3 Panel, Outer Side Sill-See Rocker/Pillars/Floor Section
- 4 Reinf, Rear Pillar R F1Y1-70-12YA
L F1Y1-71-12YA
- 5 Panel, Inner Side Sill-See Rocker/Pillars/Floor Section
- 6 Reinf, Door Hinge R F151-70-381
L F151-71-381
- 7 Reinf, Upper Striker R F151-70-390
L F151-71-390
- 8 Gusset, Sill-See Rocker/Pillars/Floor Section
- 9 Reinf, Roof Rail R F151-70-252
L F151-71-252
- 10 Reinf, Upr Quarter Panel R F151-70-122
L F151-71-122
- 11 Rail, Rear Drain R F151-70-441
L F151-71-441
- 12 Plate, Corner R F151-70-480C
L F151-71-481D
- 13 Door, Fuel L F151-42-410B
- 14 Latch Assy, Fuel Door L F151-56-83XD
- 15 Latch, Fuel Door L EA01-56-890D
- 16 Stopper, Fuel Door (2) L O187-70-491
*Included w/Fuel Door Latch Assy
- 17 Cable, Fuel Door Release-See Rocker/Pillars/Floor Section



035-04233

- 18 Panel Assy, Inner Quarter R F151-70-100F
L F151-71-100F
- 19 Wheelhouse, Outer R F151-70-115
L F151-71-115
- 20 Reinf, Sill R F151-70-272
L F151-71-272
- 21 Wheelhouse, Inner R F151-70-110C
L F151-71-110F
- 22 Support, Package Tray R F151-70-180B
L F151-71-180B
*Included w/Inner Quarter Panel Assy
- 23 Tray, Package F151-70-500
- 24 Brace, Package Tray R/L F151-56-55YB
- 25 Panel, Upr Inner Quarter R F1Y1-70-05Y
L F1Y1-71-05Y
- 26 Reinf, Inner Quarter Panel R F151-70-791A
L F151-71-791A
- 27 Brkt, Rear Assist Handle R FE01-70-192

EXTERIOR TRIM

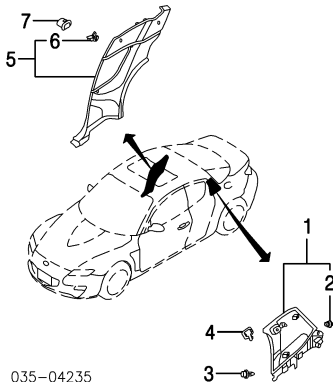


035-04234

- 1 Liner Assy, Wheelhouse w/Sport Susp R F157-56-1H0C
L F157-56-1J0C
- 2 Protector, Fuel Filler

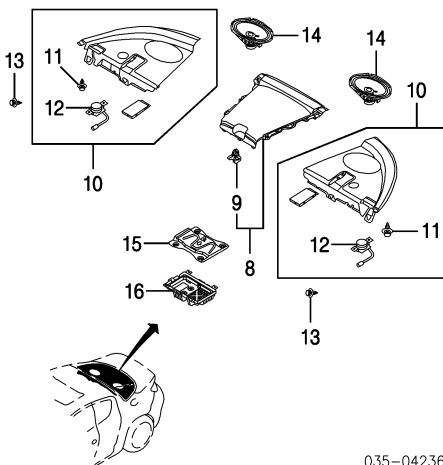
- Std Susp-See Fuel Tank Section
- Sport Susp L F157-42-298
- 3 Grommet R/L C100-51-SJ3A
*Included w/Wheelhouse Liner Assy
- 4 Clip, Liner R/L BC1D-56-145
*As Required
- 5 Guard, Upper Stone R FE01-50-4P1A
L FE01-50-4R1A
- 6 Guard, Lower Stone R FE01-50-4P2C
L FE01-50-4R2C
- 7 Chamber Assy, Extractor R/L D350-51-920
- 8 Valve, Extractor (2/Side) R/L D350-51-923
- 9 Gasket, Chamber R/L E016-51-922
*Included w/Extractor Chamber Assy

INTERIOR TRIM



035-04235

- 1 Panel Assy, Upper Trim R F152-68-250C-77
L F152-68-260C-77
- 2 Clip, Trim Panel Type 1 R/L LA10-68-D21
Type 2 (2/Side) R/L GE4T-68-865A
*Included w/Upper Trim Panel Assy
- 3 Fastener, Trim Panel R/L GJ21-68-885B-02
- 4 Cover, Trim Panel R F152-68-2G1A-77
L F152-68-2H1A-77
- 5 Panel Assy, Lower Trim Cloth R FE01-68-58YC-02
L FE01-68-59YC-02
- Leather Black (Code FF3) R FE02-68-58YC-02
L FE02-69-58YC-02
- Brown/Black (Code FF5) R FE02-68-58YC-23
L FE02-68-59YC-23
- Red/Black (Code FF4) R FE02-68-58YC-15
L FE02-68-59YC-15
- 6 Clip, Trim Panel (4/Side) R/L GJ21-68-865
*Included w/Lower Trim Panel Assy
- 7 Grommet, Trim Panel (4/Side) R/L E001-68-506

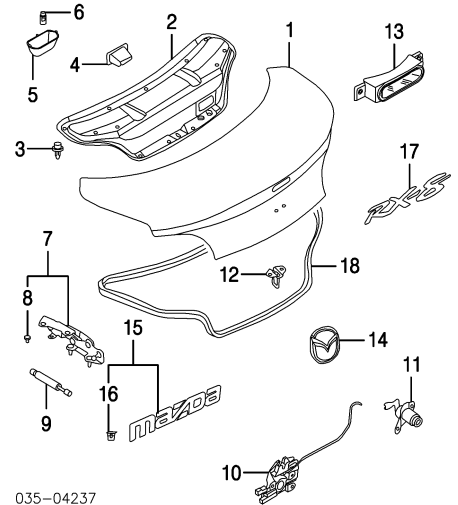


035-04236

- 8 Panel Assy, Inner Package Tray F151-68-3A0A-02
- 9 Clip, Panel (2) GJ12-68-865
*Included w/Inner Package Tray Panel Assy
- 10 Panel Assy, Outer Package Tray
- 6 Speaker System R F151-68-3WX-02
L F151-68-3WY-02
- 9 Speaker System R F154-68-3WX-02
L F154-68-3WY-02
- 11 Clip, Panel (2/Side) R/L GJ12-68-865
- 12 Speaker, Tweeter R/L F153-66-960
*Included w/Outer Package Tray Panel Assy
- 9 Speaker System
- 13 Clip, Panel Type 1 R/L B041-68-865-02
Type 2 R/L GJ21-68-885B-02
*As Required
- 14 Speaker, Rear

- 6 Speaker System R/L F155-66-960
- 9 Speaker System R/L F156-66-960
F151-66-A21
- 15 Brkt, Amplifier
- 16 Amplifier, Power
- 9 Speaker System F151-66-920
Cloth Seats F153-66-920A
Leather Seats

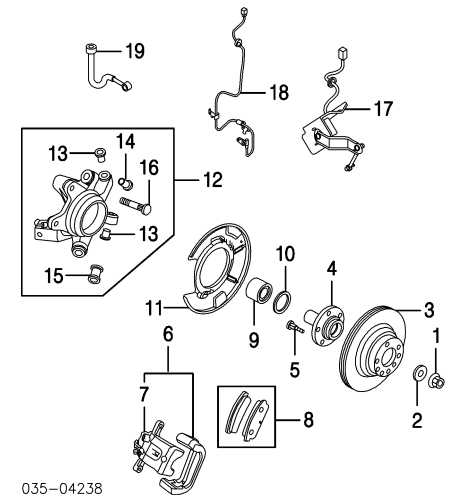
LUGGAGE LID



035-04237

- 1 Lid, Luggage F151-52-610B
- 2 Trim, Luggage Lid F151-68-8WXD
- 3 Clip, Trim B040-68-865A-00
*As Required
- 4 Bezel, Trim Panel GJ6A-68-966-02
- 5 Lens, Luggage Lamp B100-51-441
- 6 Bulb 0000-11-0194
- 7 Hinge Assy, Lid R F151-52-710B
L F151-52-720B
- 8 Cushion, Hinge (2/Side) R/L GJ6A-56-802A
*Included w/Lid Hinge Assy
- 9 Strut, Luggage Lid R/L F151-56-930
- 10 Latch, Luggage Lid R/L FE01-56-820B
- 11 Cylinder, Luggage Lid Lock w/Theft Deterrent FEY2-76-230
w/o Theft Deterrent FEY5-76-230
*Included w/Vehicle Lock Set-listed in Steering Wheel/Column Section
- 12 Striker F151-56-840A
- 13 Lamp Assy, Stop-See Rear Lamps Section
- 14 Emblem F152-51-731A
- 15 Nameplate Assy "MAZDA" F151-51-710B
F151-51-958
- 16 Clip, Nameplate (3) *Included w/Nameplate Assy
- 17 Nameplate (Adhesive) RX-8 F151-51-721A
F151-56-951D
- 18 W/Strip, Luggage Lid

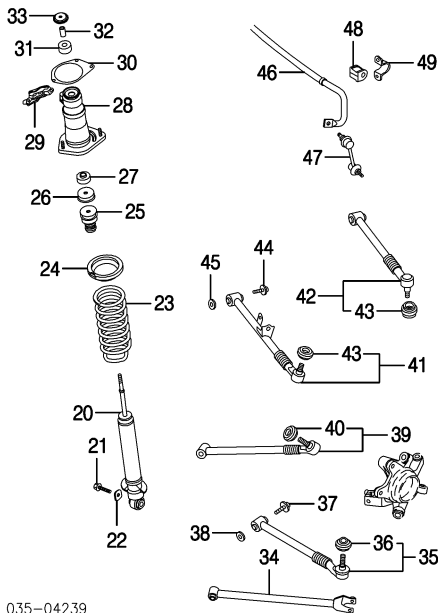
REAR SUSPENSION



035-04238

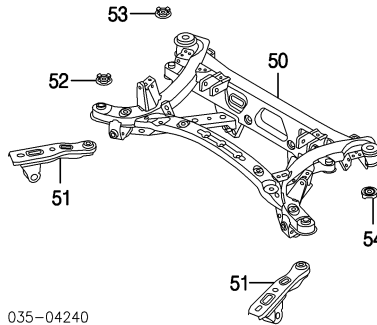
- 1 Nut, Axle R/L LA01-33-042B
- 2 Washer R/L J001-26-114A
- 3 Rotor, Brake R/L F151-26-251
- 4 Hub, Axle R/L F151-26-241A
- 5 Stud, Lug (5/Side) R/L B455-33-062

- 6 Caliper Assy, Brake R F1Z1-26-98Z
L F1Z1-26-99Z
- 7 Caliper, Brake R F151-26-61X
L F151-26-71X
¶Included w/Brake Caliper Assy
- 8 Pad Set, Brake F1Y1-26-43Z
- 9 Bearing, Axle R/L F151-26-151
- 10 Retainer, Bearing R/L GE4T-33-048
- 11 Shield, Splash R/L F151-26-261A
- 12 Knuckle Assy R F151-26-11XA
L F151-26-12XA
- Bushing, Knuckle¶**
- 13 Type 1 (2/Side) R/L F151-33-024
- 14 Type 2 R/L F152-33-024
- 15 Type 3 R/L F151-28-430
- 16 Bolt, Mounting R/L F151-26-118
¶Included w/Knuckle Assy
- 17 Sensor, Leveling w/DSC L FE03-51-22YB
- 18 Sensor, Rear ABS-See ABS/Brakes Section
- 19 Hose, Brake R/L F151-43-810



035-04239

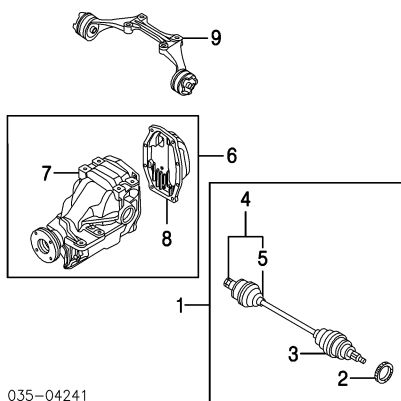
- 20 Strut, Rear Std Susp R/L F151-28-700C
Sport Susp R/L F157-28-700C
- 21 Bolt, Strut Mtg R/L 9YA0-21-289
- 22 Washer R/L F151-28-999
- 23 Spring, Coil Std Susp R/L F151-28-011A
Sport Susp R/L FE02-28-011
- 24 Seat, Spring R/L F151-28-012
- 25 Bumper, Rebound R/L F152-28-1A1A
- 26 Cap, Bumper R/L F151-28-777
- 27 Bushing, Lwr Strut R/L F151-28-776
- 28 Mount, Strut R F151-28-340C
L F151-28-34XC
- 29 Bracket, Mount R/L F151-28-721
- 30 Gasket, Mount R/L F151-28-003
- 31 Bushing, Upr Strut R/L F151-28-775A
- 32 Spacer R/L F151-28-773
- 33 Retainer R/L F151-28-774
- 34 Arm, Front Trailing R/L F151-28-200A
- 35 Link Assy, Toe Control R/L F151-28-45XB
L F151-28-4A3
- 36 Boot, Dust¶ *¶Included w/Toe Control Link Assy*
- 37 Bolt, Adjuster R/L FE01-28-66Z
- 38 Plate, Cam R/L FD16-28-473
- 39 Arm Assy, Rear Trailing R F151-28-D00B
L F151-28-D10B
- 40 Boot, Dust¶ R/L F151-28-4B3
¶Included w/Rear Trailing Arm Assy
- Link Assy, Lateral**
- 41 Front w/DSC R F151-28-500A
L FE03-28-550A
w/o DSC R F151-28-500A
L F151-28-550A
- 42 Rear R F151-28-600A
L F151-28-650A
- 43 Boot, Dust¶ (2/Side) R/L F151-28-503
¶Included w/Lateral Link Assy
- 44 Bolt, Adjuster R/L F151-28-66Z
- 45 Plate, Cam R/L F151-28-473
- 46 Bar, Stabilizer Std Susp F151-28-151
Sport Susp F157-28-151
- 47 Link, Stabilizer R/L F151-28-170
- 48 Bushing, Stab R/L FD15-28-156A
- 49 Brkt, Stabilizer R/L FD01-28-155A



035-04240

- 50 Crossmember, Rear F151-28-80XB
- 51 Plate, Mounting R/L F151-28-88Z
- Washer, Stopper
- 52 Front R/L F151-28-88X
- 53 Center R/L F151-28-998
- 54 Rear R/L F151-28-880

REAR DRIVE AXLE



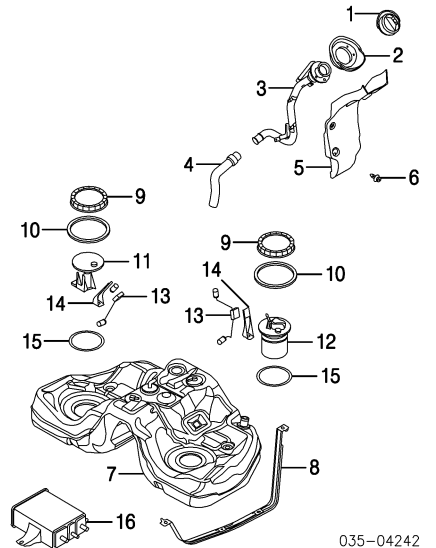
035-04241

- 1 Axle Assy, Drive Man Trans R MA02-25-50XA
Auto Trans L MA02-25-60XA
R MA01-25-50X
L MA01-25-60X
R/L GA2G-33-471A
- 2 Rotor, Rear Sensor¶
- 3 Boot Set, Outer¶ Man Trans R/L MA02-22-530
Auto Trans R/L MA01-22-530
- 4 Joint Assy, Inner¶ Man Trans R/L MA02-22-520
Auto Trans R/L MA01-22-520
- 5 Boot Set, Inner¶ (a) Man Trans R/L MA02-22-540
Auto Trans R/L MA01-22-540
¶Included w/Drive Axle Assy (a) Included w/Inner Joint Assy
- 6 Differential Assy Man Trans RS04-27-100E
Auto Trans w/LSD RS04-27-100E
w/o LSD RA14-27-100D
- 7 Housing, Diff¶ RA12-27-150B
- 8 Cover, Diff¶ RA12-27-320A
¶Included w/Differential Assy
- 9 Mount, Differential F151-39-730A

FUEL TANK

Illustration Located in Next Column

- 1 Cap, Fuel Filler FE01-42-250A
- 2 Cover, Lever FE01-42-24Z
- 3 Pipe, Fuel Filler FE01-42-210B
- 4 Hose, Fuel Filler FE01-42-231
- 5 Protector, Fuel Filler Std Susp L F157-56-1J0C
Sport Susp¶-See Quarter Panel Section
¶Included w/Wheelhouse Liner Assy
- 6 Clip, Protector (3) L BC1D-56-145
- 7 Tank, Fuel FE01-42-110A
- 8 Strap, Fuel Tank R/L F151-42-710
- 9 Ring, Retainer R/L F151-42-A14A
- 10 O-Ring, Upper R/L F151-42-A15B
- 11 Pipe, Fuel R F151-42-18XA
L N3H1-13-35ZD
- 12 Pump, Fuel R F151-60-960A
L F151-60-970B
- 13 Sender, Fuel R F151-42-117
- 14 Brkt, Fuel Sender

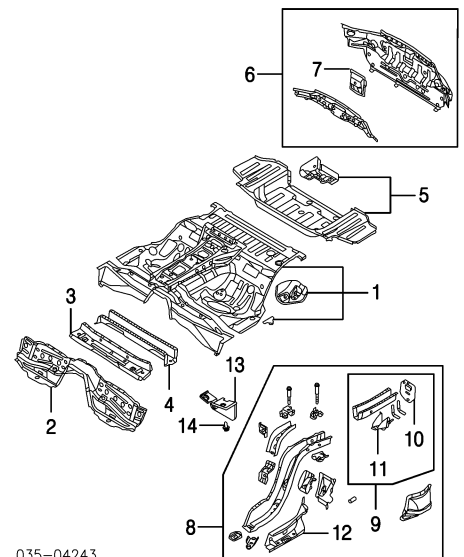


035-04242

- L F151-42-116
- R/L F151-42-A61
- 15 O-Ring, Lower
- 16 Canister, Vapor-See Emission System Section

REAR BODY

SHEET METAL/EXTERIOR TRIM



035-04243

- 1 Pan, Rear Floor F1Y1-53-710G
- 2 Crossmember, Front F151-53-900E
- 3 Crossmember, Center F151-53-920D
- 4 Crossmember, Rear F151-53-940B
- 5 Pan, Luggage Compartment F1Y1-53-75XC
- 6 Panel Assy, Rear FE01-70-750C
- 7 Reinf, Striker¶ F151-70-780
¶Included w/Rear Panel Assy
- 8 Rail Assy, Side R F151-53-810K
L F151-54-810K
- 9 Rail Assy, Rear¶ R F1Y1-53-81XC
L F1Y1-54-81XD
- 10 Reinf, Rail¶ (a) R F151-53-816A
L F151-54-816A
- 11 Brkt, Lower Bumper¶ (a) R F151-53-89XA
L F151-54-89XA
(a) Included w/Rear Rail Assy
- 12 Sill, Rear Side¶ R F151-53-812D
L F151-54-812D
¶Included w/Side Rail Assy
- 13 Spoiler, Side R F151-51-9B1
L F151-51-9C1
- 14 Clip, Spoiler (2/Side) R/L B092-51-833

INTERIOR TRIM

Illustration Located in Next Column

- 1 Panel, Rear Trim FE01-68-89XC