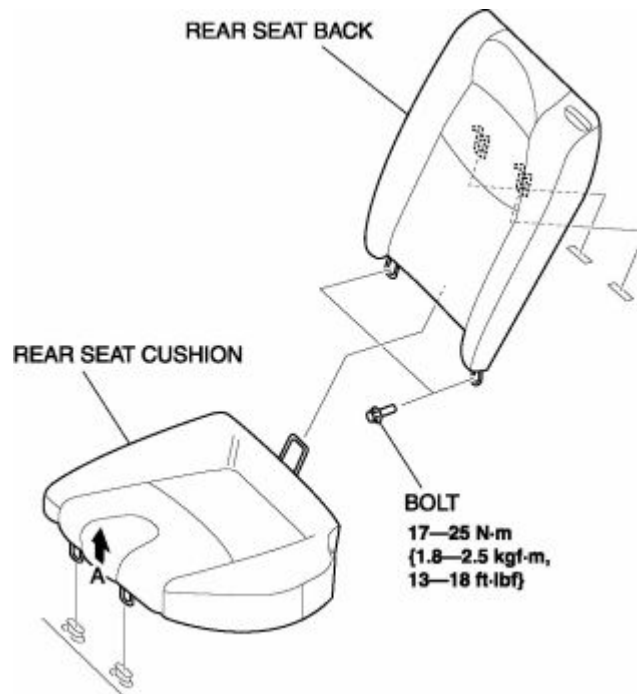


REAR SEAT

REAR SEAT REMOVAL/INSTALLATION

1. Lift the point A in the direction of the arrow, then remove the rear seat cushion.



2. Remove the bolts, then remove the rear seat back.
3. Install in the reverse order of removal.