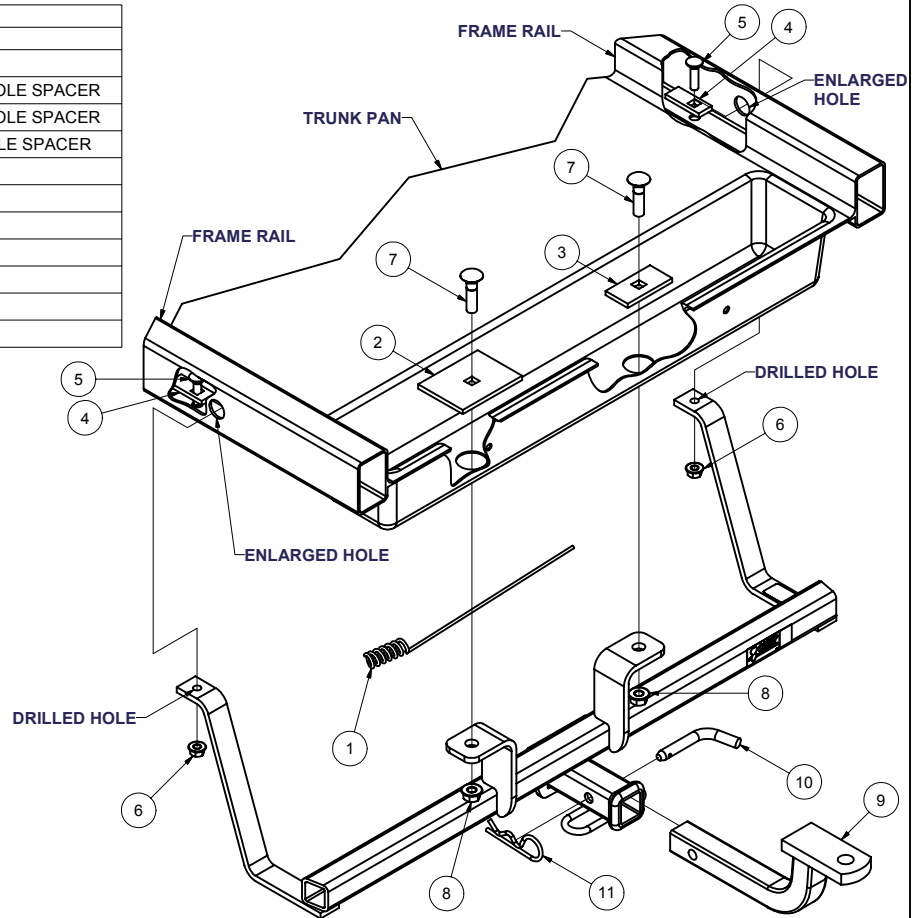


GROSS LOAD CAPACITY WHEN USED AS A WEIGHT CARRYING HITCH: 2000 LBS. TRAILER WEIGHT & 200 LBS. TONGUE WEIGHT.  
**\*\*\*DO NOT EXCEED VEHICLE MANUFACTURER'S RECOMMENDED TOWING CAPACITY.\*\*\***

Parts List			
ITEM	QTY	PART NUMBER	DESCRIPTION
1	1	CM-.375-FW	FISHWIRE TOOL
2	1	CM-SP28	.250 x 3.00 x 4.00" SQUARE HOLE SPACER
3	1	CM-SP4	.250 x 1.50 x 3.00" SQUARE HOLE SPACER
4	2	CM-SP2	.250 x .88 x 2.25" SQUARE HOLE SPACER
5	2	3/8-16 x 1 1/2	CARRIAGE BOLT
6	2	3/8-16	HEX FLANGE NUT
7	2	1/2 - 13 x 2"	CARRIAGE BOLT
8	2	1/2 - 13	HEX FLANGE NUT
9	1	D-20	1 1/4" BALLMOUNT
10	1	F-4 PIN	HITCH PIN
11	1	F-4 CLIP	HITCH PIN CLIP



HITCH WEIGHT: 25 LBS.

INSTALL TIME: 60 MINUTES

INSTALL NOTES:

DRILLING REQUIRED  
FISHWIRE FASTENERS

## INSTALLATION STEPS

- 1.) Remove jack and jack box from trunk by removing (2) plastic fasteners and (1) bolt, reuse later.
- 2.) Remove rubber plugs from under carpet in the trunk pan and from sides of frame rails, discard.
- 3.) Install 1/2" carriage bolts and spacers through trunk as shown. **(Note: Use silicone to seal holes in trunk.)**
- 4.) Pull heat shield back and raise hitch into position securing with flange nuts.
- 5.) Using the hitch as a template mark and center punch hitch arm holes on the frame rails.
- 6.) Lower hitch and drill center punched holes using a 1/2" drill.
- 7.) Enlarge holes in sides of frame rails to 1".
- 8.) Fishwire 3/8" carriage bolts and spacers through enlarged holes and out drilled holes.
- 9.) Raise hitch into position over carriage bolts and secure with flange nuts as shown.
- 10.) Torque all 1/2" fasteners to 75 lb-ft and all 3/8" fasteners to 30 lb-ft.
- 11.) Reinstall jack box and jack removed in step 1.

**PERIODICALLY CHECK THIS RECEIVER HITCH TO INSURE THAT ALL FASTENERS ARE TIGHT AND THAT ALL STRUCTURAL COMPONENTS ARE SOUND.**