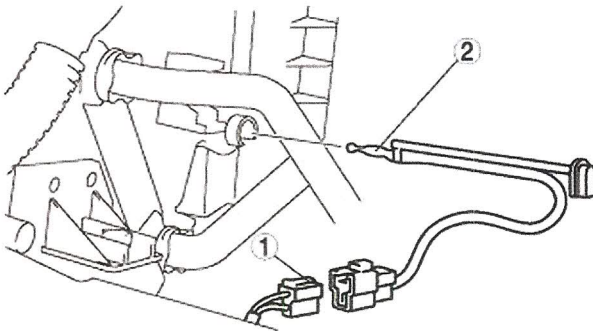


EVAPORATOR TEMPERATURE SENSOR

EVAPORATOR TEMPERATURE SENSOR REMOVAL/INSTALLATION

1. Disconnect the negative battery cable.
2. Remove the glove compartment. (See GLOVE COMPARTMENT REMOVAL/INSTALLATION .)
3. Remove the keyless control module. (See KEYLESS CONTROL MODULE REMOVAL/INSTALLATION .)
4. Remove in the order indicated in the table.



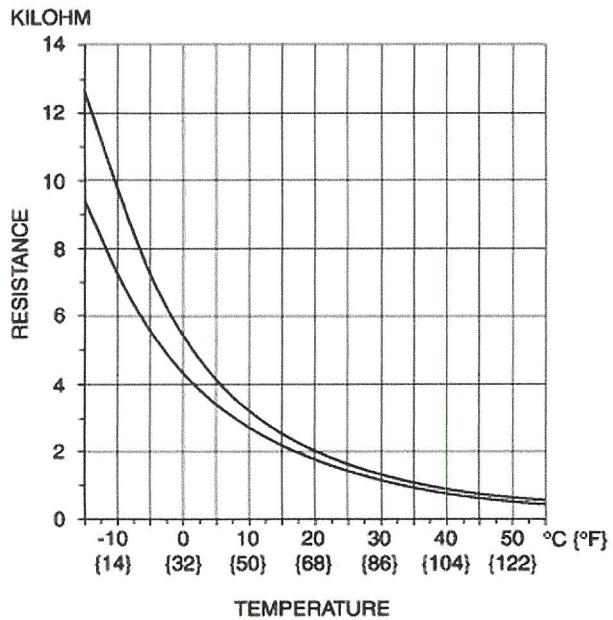
1	Evaporator temperature sensor connector
2	Evaporator temperature sensor

5. Install in the reverse order of removal.

EVAPORATOR TEMPERATURE SENSOR INSPECTION

NOTE:

- Inspect the evaporator temperature sensor when it is installed to the A/C unit.
 1. Set the fan switch to 4th speed.
 2. Set the temperature control to MAX COLD.
 3. Set the air intake mode to RECIRCULATE.
 4. Turn the A/C switch off.
 5. Close all of the doors and roll up all the windows.
 6. Wait for **5 min** .
 7. Disconnect the evaporator temperature sensor connector.
 8. Measure the temperature at the air intake.
 9. Measure the resistance between evaporator temperature sensor terminals.
 - If the characteristics of the evaporator temperature sensor are not as shown in the graph, replace the evaporator temperature sensor.



Notes: