

AUTOMATIC TRANSMISSION [SJ6A-EL]

ATF Condition		Condition	Possible cause
Clear dark red		Normal	—
Light red (pink)		Contaminated with water	<ul style="list-style-type: none"> Damaged oil cooler inside of the radiator Problem could occur to parts inside the transmission by water contamination. It is necessary to overhaul the transmission and detect defected parts. If necessary, replace the transmission.
Reddish brown	Has burnt smell and metal particles are found	Deteriorated ATF	Defective the powertrain components inside the transmission: Particles cause wide range of problems by plugging up in oil pipe, control valve body and oil cooler in radiator. <ul style="list-style-type: none"> When large amount of metal particles are found, overhaul the transmission and inspect for defective parts. If necessary, replace the transmission. Implement flushing operation as there is a possibility to have particles plugging up the oil pipe or oil cooler inside the radiator.
	Has no burnt smell	Normal	<ul style="list-style-type: none"> Discoloration by oxidation

05-13B

Automatic Transmission Fluid (ATF) Level Inspection

Note

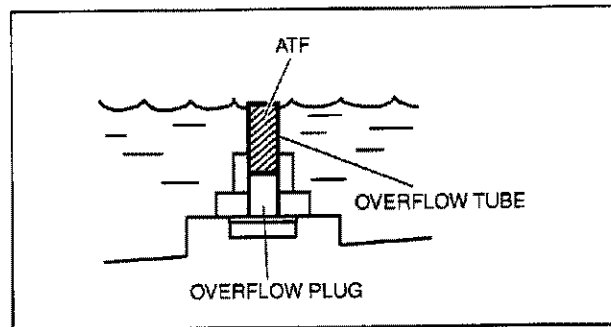
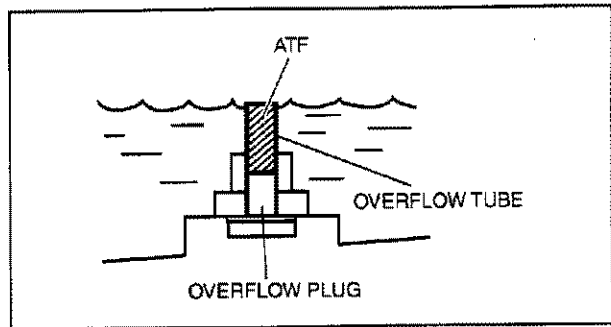
- An overflow-type SJ6A-EL automatic transmission has been adopted with an overflow tube installed to the oil pan for inspection of the ATF level. Therefore, no dipstick has been equipped.

- Stop the vehicle on a level surface and shift to the P position.

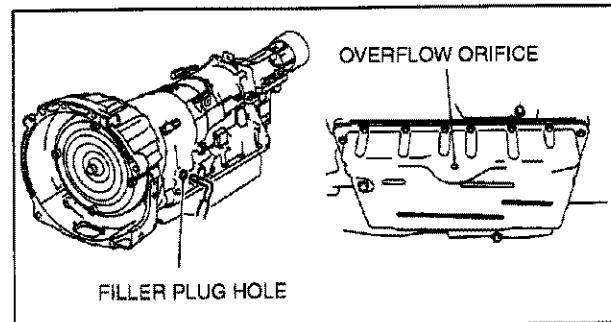
Note

- Perform with the AT cooled sufficiently (leave it for one night), ATF must be below 54 °C {129 °F}.
- ATF which collected in the overflow tube will drip when the overflow plug is removed, even when the ATF level is low, perform the following procedures.

- Start the engine and idle it for **approx. 1 min.**
- Turn the ignition switch to the LOCK position.



- Remove the overflow plug, then inspect whether the ATF is dripping from the overflow orifice. If there is no ATF dripping, fill with ATF from the filler plug hole until it starts dripping.
- Apply ATF to a new O-ring and install it on a filler plug.
- Install the filler plug.



Tightening torque

23.5—54.9 N·m {2.4—5.5 kgf·m, 17.4—40.4 ft·lbf}