

© 2009 Mazda Motor of America, Inc.

Subject: HIGH OIL CONSUMPTION DUE TO WRONG AIR INTAKE HOSE SERVICE PARTS	Bulletin No: 01-030/09
	Last Issued: 07/10/2009

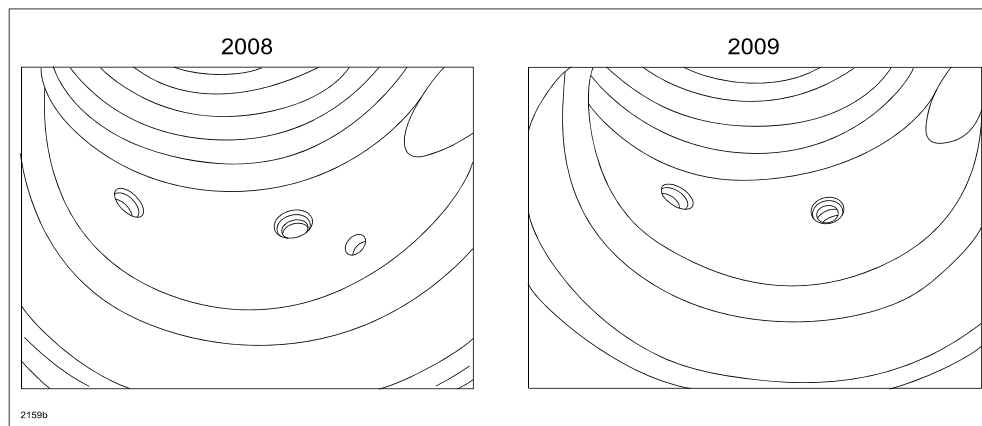
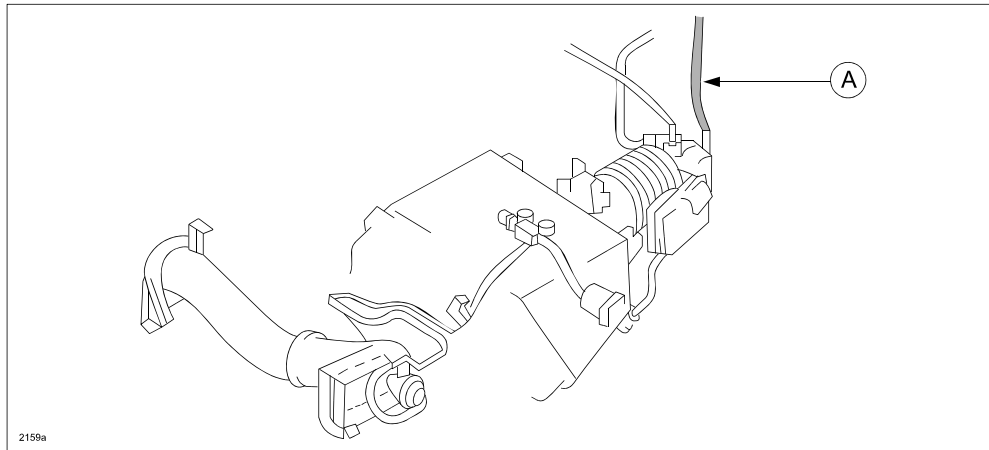
APPLICABLE MODEL(S)/VINS

2004-2008 RX-8

DESCRIPTION

Some vehicles may experience high oil consumption if the air intake hose was replaced with service parts. The cause of this is the number of ventilation holes on the hose was changed from three (3) to two (2) for 2009. However, it appears that the service part hose for 2009 was shipped for 2004-2008 RX-8 by mistake since January 8, 2008. If the hose for a 2009 model is installed on a 2004-2008 RX-8, the barometric pressure, which is normally applied on a small hose (A) connected to the metering oil nozzle is plugged. Engine vacuum then goes to the metering oil nozzle instead so that oil is supplied inside the engine is more than the Metering Oil Pump (MOP) injects, resulting in high oil consumption.

Customers having this concern should have their vehicle repaired using the following repair procedure.



CONSUMER NOTICE: The information and instructions in this bulletin are intended for use by skilled technicians. Mazda technicians utilize the proper tools/equipment and take training to correctly and safely maintain Mazda vehicles. These instructions should not be performed by "do-it-yourselfers." Customers should not assume this bulletin applies to their vehicle or that their vehicle will develop the described concern. To determine if the information applies, customers should contact their nearest authorized Mazda dealership. Mazda North American Operations reserves the right to alter the specifications and contents of this bulletin without obligation or advance notice. All rights reserved. No part of this bulletin may be reproduced in any form or by any means, electronic or mechanical---including photocopying and recording and the use of any kind of information storage and retrieval system ---without permission in writing.

Bulletin No: 01-030/09 © 2009 Mazda Motor of America, Inc.	Last Issued: 07/10/2009
--	--------------------------------

REPAIR PROCEDURE

Verify if the vehicle has had the air intake hose replaced after January 8, 2008, then replace the hose with the correct one.

PART(S) INFORMATION

Part Number	Description	Qty.	Notes
N3H1-13-221E	Hose, Air	1	For 2004-2008 RX-8 (with 3 holes)

WARRANTY INFORMATION

NOTE:

- This warranty information applies only to verified customer complaints on vehicles eligible for warranty repair.
- This repair will be covered under Mazda's New Vehicle Limited Warranty term.
- Additional diagnostic time cannot be claimed for this repair.

Warranty Type	A
Symptom Code	16
Damage Code	9N
Part Number Main Cause	N3H1-13-221E
Quantity	1
Operation Number / Labor Hours:	XXE24XRX / 0.2 Hrs