

Subject: REAR QUARTER WINDOW GLASS LOCK BECOMES LOOSE	Bulletin No: 09-011/04
	Last Issued: 4/7/2004

APPLICABLE MODEL(S)/VINS

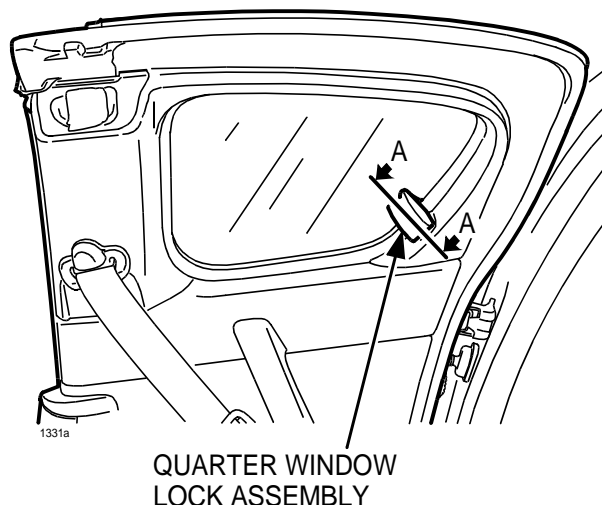
2004 RX-8 - Up to VIN JM1FE173*40120423

DESCRIPTION

Some customers may complain the rear quarter window glass may not stay locked in the open position and closes unexpectedly and/or the rear quarter window glass may not stay locked in the closed position and pops open when a front door is closed.

Adjustment procedures have been established to address this concern. Customers having this concern should have their vehicle repaired using the following repair procedure.

REAR DOOR



REPAIR PROCEDURE

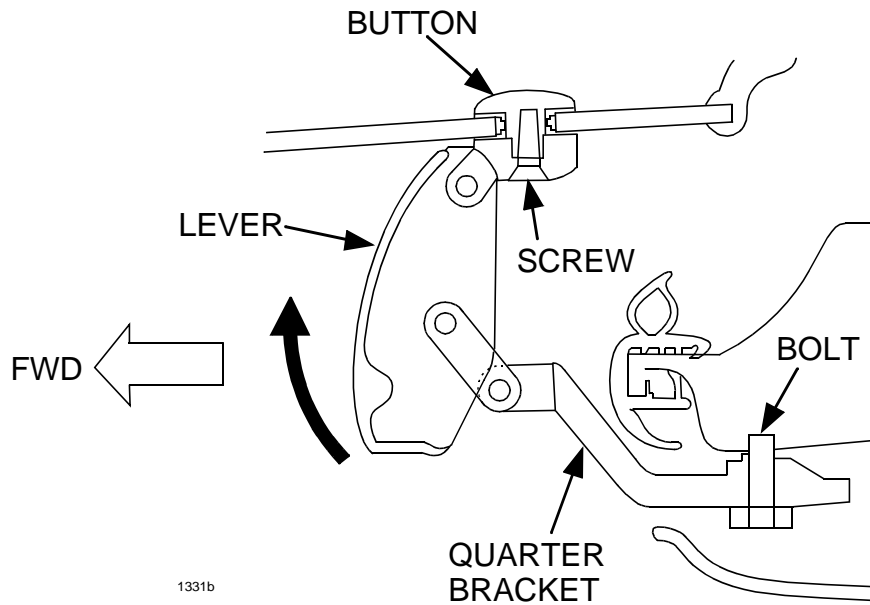
ADJUSTMENT "A"

1. Verify customer concern.
2. Open rear door and open rear quarter window.
3. Identify button attaching lock assembly to window glass. Loosen screw on back side of button attaching button to glass.

4. Move button and lever toward rear of glass as far as possible (at least 2mm (.08")) and re-tighten screw.
5. Verify repair.

NOTE: If problem still exists after the above procedure, go to ADJUSTMENT "B".

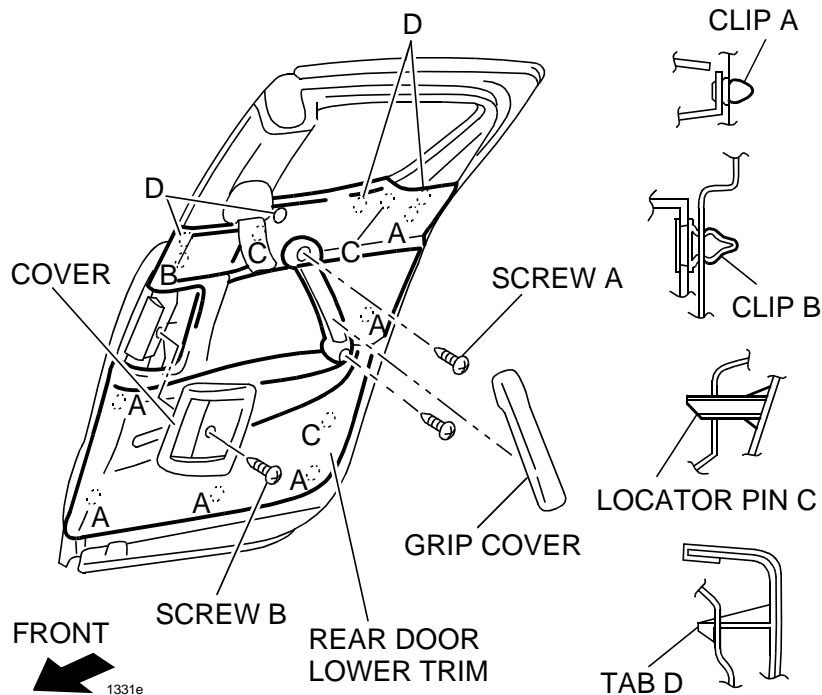
A-A CROSS SECTION



ADJUSTMENT "B"

NOTE: Only perform ADJUSTMENT "B" after ADJUSTMENT "A" has been performed.

1. Pull firmly along edges to remove the grip cover, then remove both screws (SCREW A).
2. Using a small, flathead screwdriver, open the screw cap on door latch cover and remove screw (SCREW B).
3. Remove cover by rotating to the front.

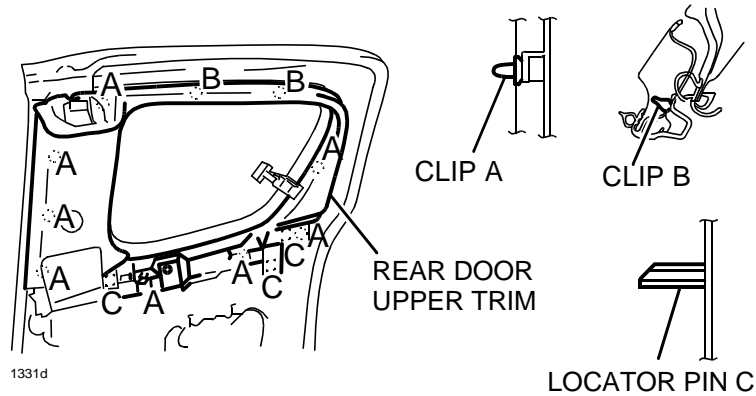


4. Detach clips "A" and "B" from the rear door using a fastener remover and firmly pulling away from door.

NOTE: Failure to follow next step may cause damage to rear door lower trim.

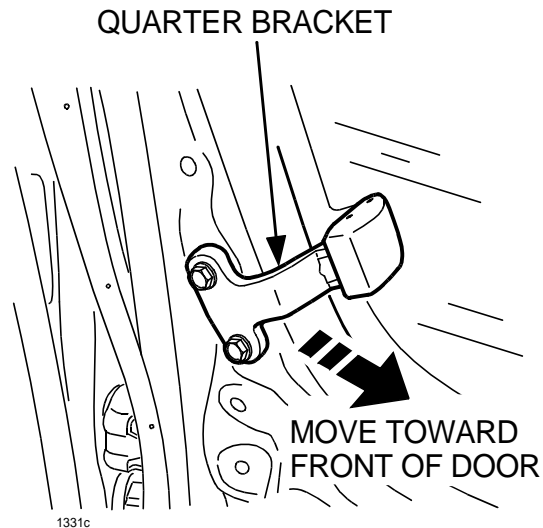
5. After detaching clips, carefully detach clips "D" by sliding lower trim upward.
6. Detach locating pins "C".
7. Remove rear door lower trim.
8. Remove seatbelt trim cover and remove bolt attaching seatbelt anchor to door.

9. Pull the rear door upper trim outward to detach clips "A" and "B" and locator pins "C" from the door.



10. Remove the rear door upper trim.
11. Loosen bolts (2) securing lock assembly quarter bracket to the door.
12. Move quarter bracket toward front of door as far as possible and re-tighten bolts.

NOTE: Mounting holes in quarter bracket may need to be elongated using a round file if sufficient adjustment cannot be made.



13. Ensure rear quarter window lock functions correctly.
14. Install rear door upper and lower trim in reverse of removal. Tighten seat belt anchor bolt to specification.
Tightening torque: 36.3-53.9 N.m (26.8-39.7 lb-ft).
15. Verify repair.

WARRANTY INFORMATION

NOTE:

- This warranty information applies only to verified customer complaints on vehicles eligible for warranty repair. Refer to the SRT microfiche for warranty term information.
- Additional diagnostic time cannot be claimed for this repair.

	ADJUSTMENT "A" (Both Sides)	ADJUSTMENT "A" + "B" (Both Sides)	ADJUSTMENT "A" (One Side) & "A" + "B" (One Side)
Warranty Type	A	A	A
Symptom Code	42	42	42
Damage Code	9H	9H	9H
Part Number Main Cause	FE01-72-5G0* or FE01-73-5G0*	FE01-72-5G0* or FE01-73-5G0*	FE01-72-5G0* or FE01-73-5G0*
Quantity	0	0	0
Operation Number / Labor Hours:	XX662XR1 / 0.2 Hrs	XX662XR2 / 0.6 Hrs	XX662XR3 / 0.4 Hrs