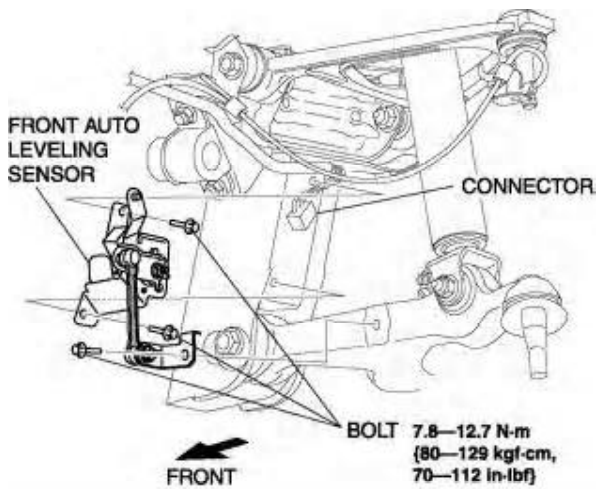


HEADLIGHT AUTO LEVELING SYSTEM

FRONT AUTO LEVELING SENSOR REMOVAL/INSTALLATION

1. Disconnect the negative battery cable.
2. Jack up the vehicle and remove the wheel and tire.
3. Disconnect the connector.

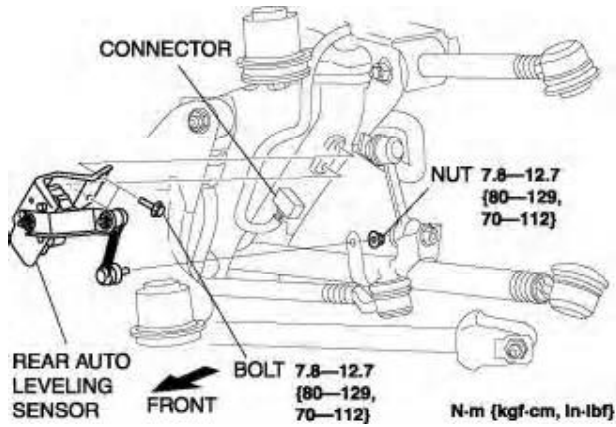


4. Remove the bolts and then remove the front auto leveling sensor.
5. Install in the reverse order of removal.

REAR AUTO LEVELING SENSOR REMOVAL/INSTALLATION

1. Disconnect the negative battery cable.
2. Jack up the vehicle and remove the wheel and tire.

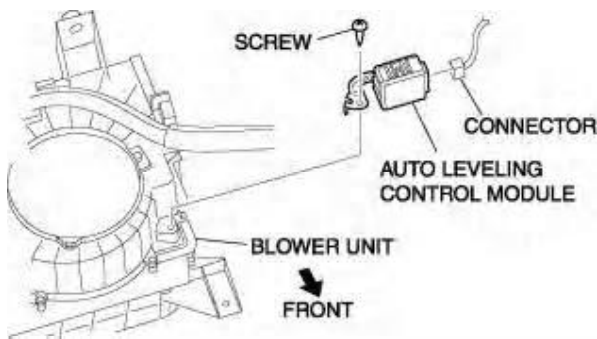
3. Disconnect the connector.



4. Remove the bolts and nut, then remove the rear auto leveling sensor.
5. Install in the reverse order of removal.

AUTO LEVELING CONTROL MODULE REMOVAL/INSTALLATION

1. Disconnect the negative battery cable.
2. Disconnect the connector.



3. Remove the screw and then remove the auto leveling control module.
4. Install in the reverse order of removal.