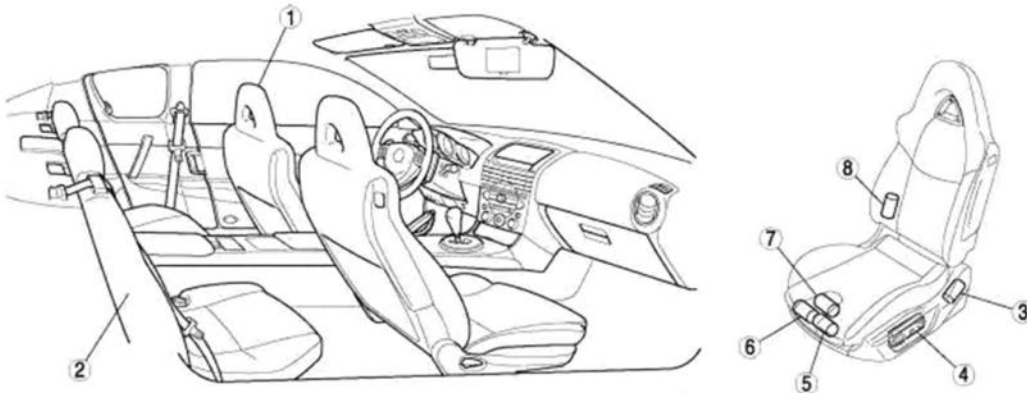


## SEATS

### SEATS LOCATION INDEX



	Front seat
1	(See FRONT SEAT REMOVAL/INSTALLATION .) (See FRONT SEAT DISASSEMBLY/ASSEMBLY .)
	Rear seat
2	(See REAR SEAT REMOVAL/INSTALLATION .) (See REAR SEAT DISASSEMBLY/ASSEMBLY .)
3	Recliner motor (See RECLINER MOTOR INSPECTION .)
4	Power seat switch (See POWER SEAT SWITCH INSPECTION .)
5	Front tilt motor (See FRONT TILT MOTOR INSPECTION .)
6	Rear tilt motor (See REAR TILT MOTOR INSPECTION .)
7	Slide motor (See SLIDE MOTOR INSPECTION .)
8	Lumbar support motor

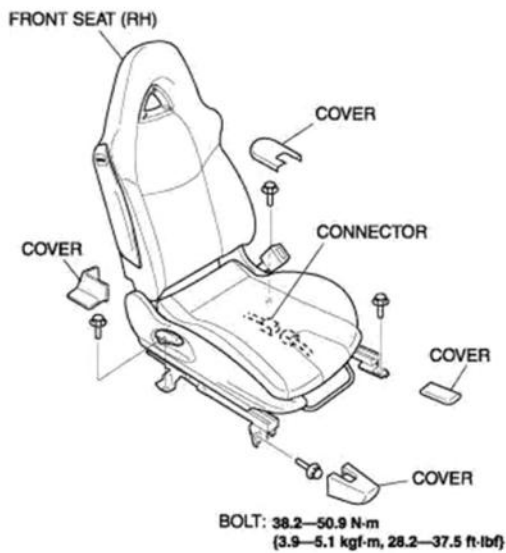
(See LUMBAR SUPPORT MOTOR INSPECTION .)

## FRONT SEAT

### FRONT SEAT REMOVAL/INSTALLATION

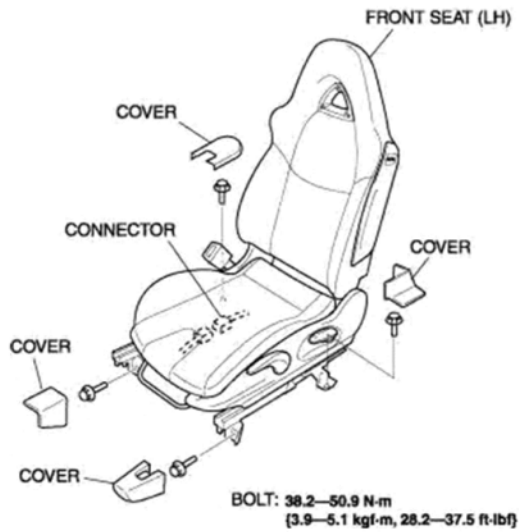
#### WARNING:

- Handling the front seat (with a side air bag) improperly can accidentally deploy the side air bag, which may seriously injure you. Read the service warnings before handling the front seat (with a side air bag).(See SERVICE WARNINGS .)
1. Turn the ignition switch to the LOCK position.
  2. Disconnect the negative battery cable and wait for **1 min or more** .
  3. Disconnect the connector.



(w)

RX-8 Body  
Page 159



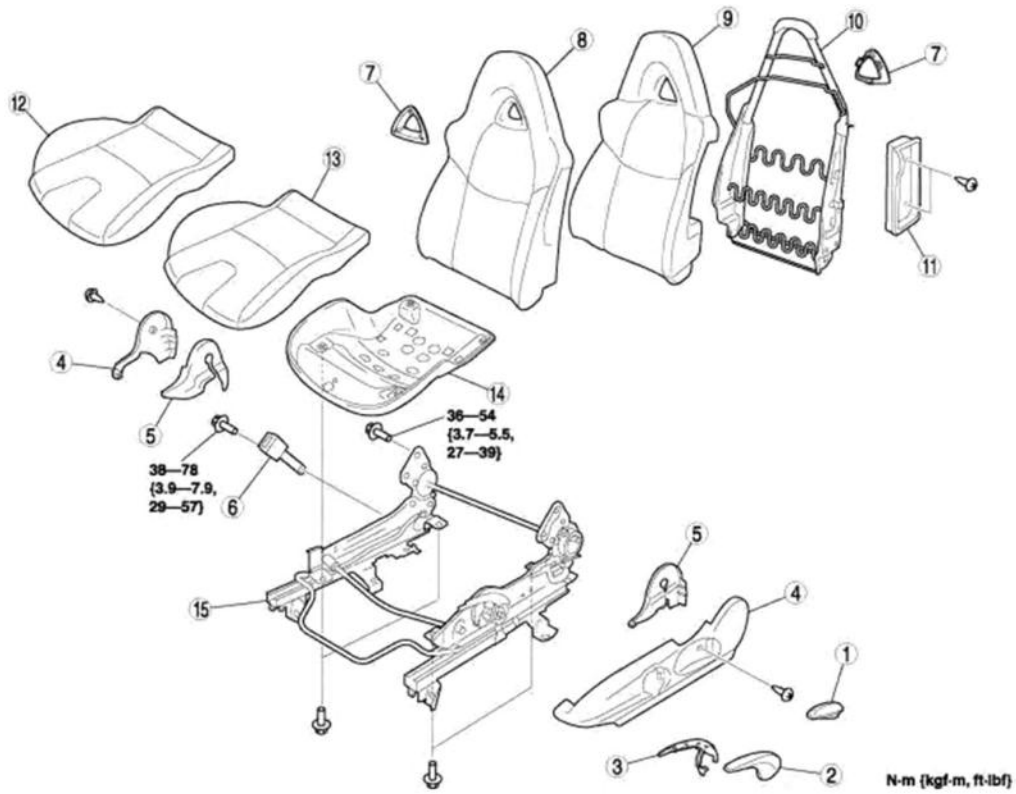
4. Remove the covers.
5. Remove the bolts, then remove the front seat.
6. Install in the reverse order of removal.

#### FRONT SEAT DISASSEMBLY/ASSEMBLY

##### WARNING:

- Handling the front seat (with a side air bag) improperly can accidentally deploy the side air bag, which may seriously injure you. Read the service warnings before handling the front seat (with a side air bag). (See SERVICE WARNINGS .)
1. For vehicles with side air bags, remove the side air bag module. (See SIDE AIR BAG MODULE REMOVAL/INSTALLATION .)
  2. Disassemble in the order indicated in the table.
  3. Assemble in the reverse order of disassembly.

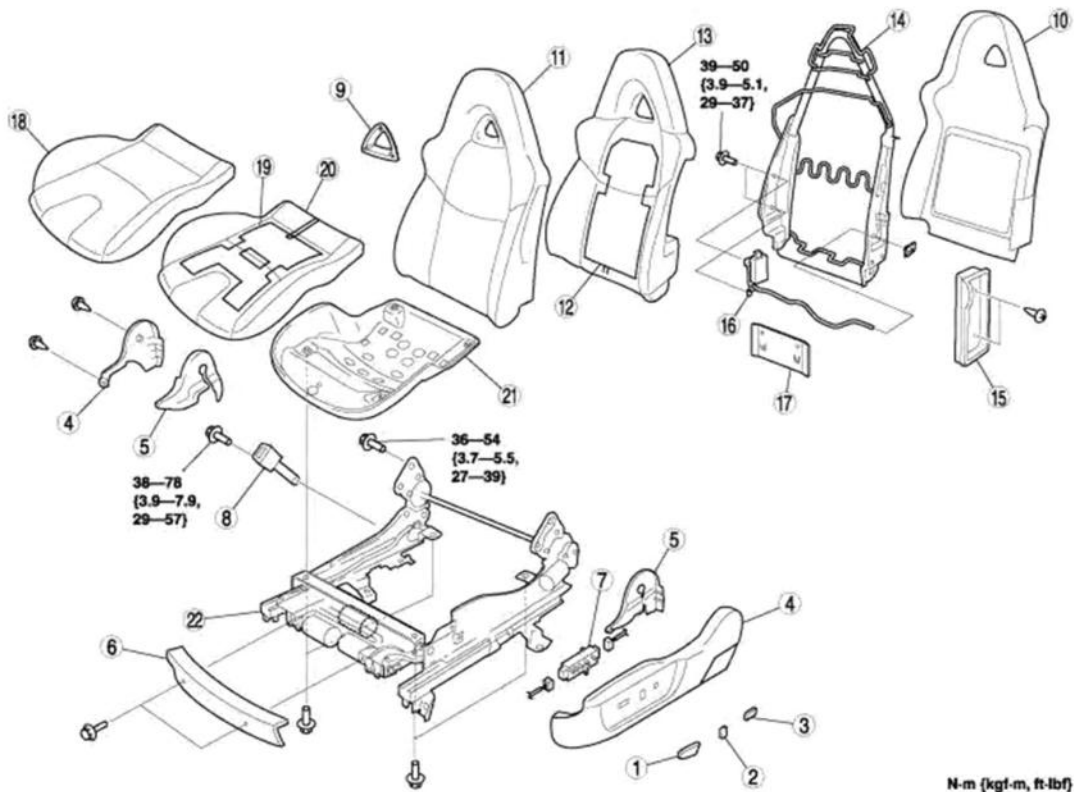
Manual Seat (LH)



1	Recliner lever
2	Outer lift lever
3	Inner lift lever
4	Side cover
5	Reverse cover
6	Front buckle
7	Cover
8	Seat back trim
9	Seat back pad
10	Seat back frame
11	Side air bag cover
12	Seat cushion trim
13	Seat cushion pad
14	Seat cushion frame
15	Slide adjuster

(w) RX-8 Body  
Page 161

## Power Seat



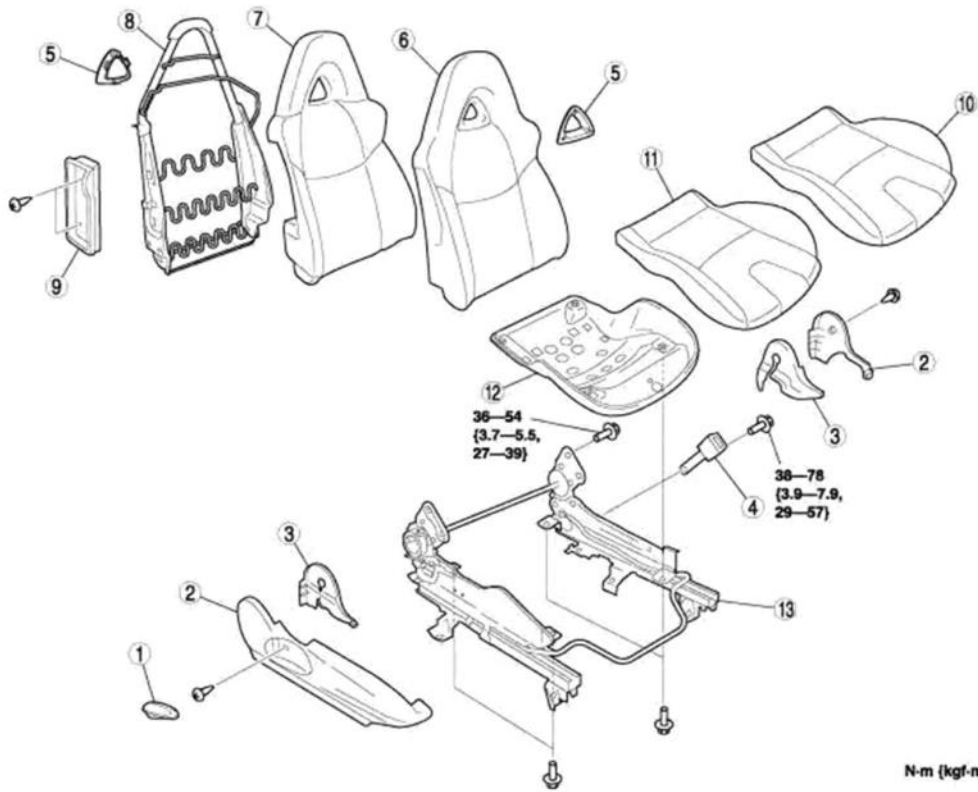
1	Slider switch knob
2	Recliner switch knob
3	Lumbar support switch knob
4	Side cover
5	Reverse cover
6	Front cover
7	Power seat switch
8	Front buckle
9	Cover
10	Seat back cover
11	Seat back trim
12	Seat warmer unit
13	Seat back pad
14	Seat back frame
15	Side air bag cover
16	Lumbar support motor

(w) RX-8 Body  
Page 162

17	Seat back hardboard
18	Seat cushion trim
19	Seat warmer unit
20	Seat cushion pad
21	Seat cushion frame
22	Slide adjuster

Notes:

Manual Seat (RH)



N-m (kgf-m, ft-lbf)

1	Recliner lever
2	Side cover
3	Reverse cover
4	Front buckle
5	Cover
6	Seat back trim
7	Seat back pad
8	Seat back frame
9	Side air bag cover
10	Seat cushion trim
11	Seat cushion pad
12	Seat cushion frame
13	Slide adjuster

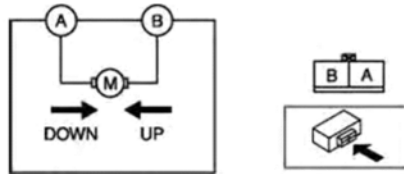
(w)

RX-8 Body  
Page 164

# POWER SEAT

## FRONT TILT MOTOR INSPECTION

1. Disconnect the front tilt motor connector.
2. Connect battery positive voltage to front tilt motor terminal A or B, then verify that the front tilt motor operate as shown in the table.

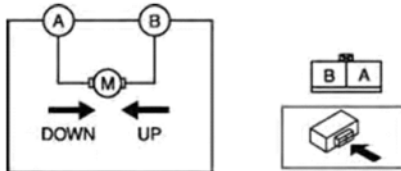


- If the front tilt motor does not operate as indicated in the table, replace the front tilt motor.

Motor operation	Connection	
	B+	GND
Up	B	A
Down	A	B

## REAR TILT MOTOR INSPECTION

1. Disconnect the rear tilt motor connector.
2. Connect battery positive voltage to rear tilt motor terminal A or B, then verify that the rear tilt motor operate as shown in the table.

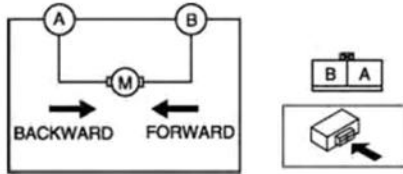


- If the rear tilt motor does not operate as indicated in the table, replace the rear tilt motor.

Motor operation	Connection	
	B+	GND
Up	B	A
Down	A	B

## SLIDE MOTOR INSPECTION

1. Disconnect the slide motor connector.
2. Connect battery positive voltage to slide motor terminal A or B, then verify that the slide motor operate as shown in the table.

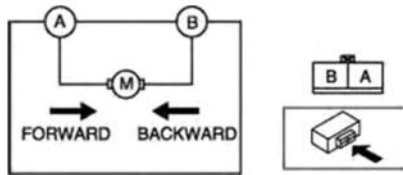


- If the slide motor does not operate as indicated in the table, replace the slide motor.

Motor operation	Connection	
	B+	GND
Forward	B	A
Backward	A	B

## RECLINER MOTOR INSPECTION

1. Disconnect the recliner motor connector.
2. Connect battery positive voltage to recliner motor terminal A or B, then verify that the recliner motor operate as shown in the table.

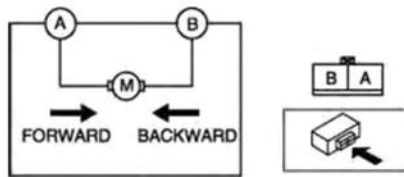


- If the recliner motor does not operate as indicated in the table, replace the recliner motor.

Motor operation	Connection	
	B+	GND
Forward	A	B
Backward	B	A

## LUMBAR SUPPORT MOTOR INSPECTION

1. Disconnect the lumbar support motor connector.
2. Connect battery positive voltage to lumbar support motor terminal A or B, then verify that the lumbar support motor operate as shown in the table.



- If the lumbar support motor does not operate as indicated in the table, replace the lumbar support motor.

Motor operation	Connection	
	B+	GND
Forward	A	B
Backward	B	A

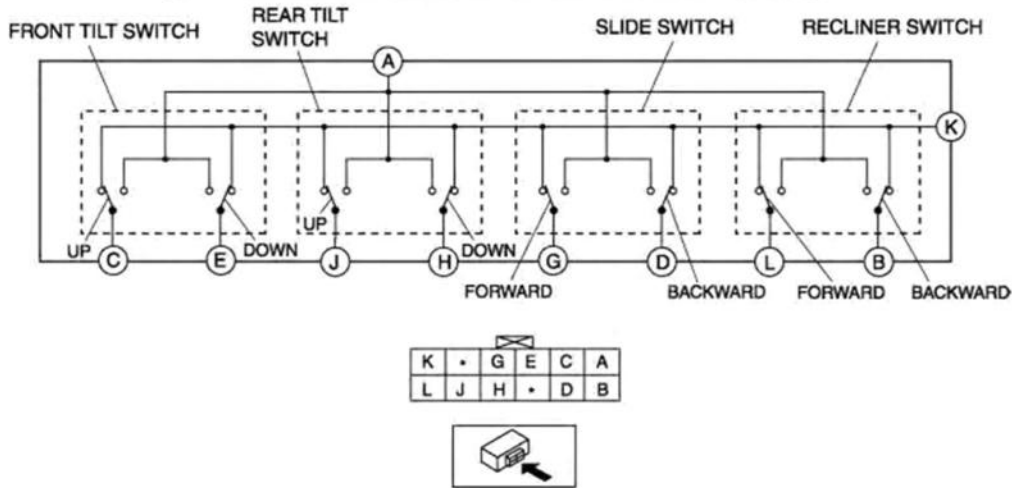
## POWER SEAT SWITCH INSPECTION

### Power Seat Switch

1. Disconnect the power seat switch connector.
2. Verify that the continuity between the power seat switch terminals is as indicated in the table.
  - If not as indicated in the table, replace the power seat switch.

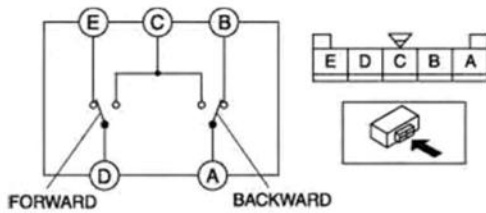
○—○ : Continuity

Switch position	Terminal										
	A	B	C	D	E	G	H	J	K	L	
Front tilt	UP	○		○		○				○	
	OFF			○		○				○	
	DOWN	○				○				○	
Rear tilt	UP	○						○	○	○	
	OFF							○	○	○	
	DOWN	○						○		○	
Slide	FORWARD	○			○		○			○	
	OFF				○		○			○	
	BACKWARD	○			○					○	
Recliner	FORWARD	○								○	○
	OFF		○							○	○
	BACKWARD	○								○	○



**Lumbar Support Switch**

1. Disconnect the lumbar support switch connector.
2. Verify that the continuity between the lumbar support switch terminals is as indicated in the table.



- If not as indicated in the table, replace the lumbar support switch.

○—○ : Continuity

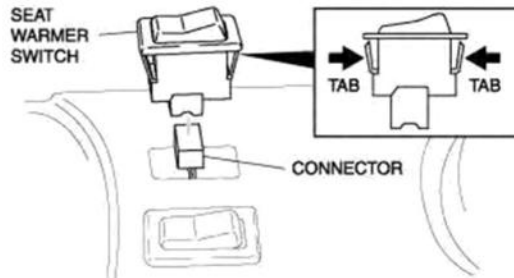
Switch position	Terminal				
	C	E	B	D	A
FORWARD	○		○	○	○
OFF		○	○	○	○
BACKWARD	○	○		○	○

Notes:

# SEAT CUSHION WARMER

## SEAT WARMER SWITCH REMOVAL/INSTALLATION

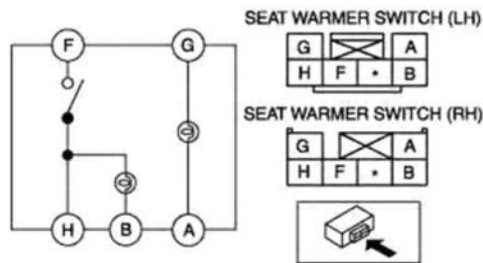
1. Disconnect the negative battery cable.
2. Remove the upper panel. (See CONSOLE REMOVAL/INSTALLATION .)
3. Disconnect the connector.



4. Squeeze the tabs of seat warmer switch and pull it outward to remove it.
5. Install in the reverse order of removal.

## SEAT WARMER SWITCH INSPECTION

1. Disconnect the negative battery cable.
2. Verify that the continuity between the seat warmer switch terminals is as indicated in the table.



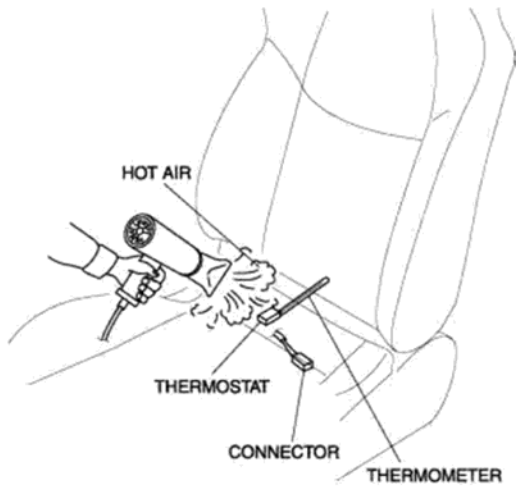
- If not as indicated in the table, replace the seat warmer switch.

○—○: Continuity    ○⊕○: Bulb

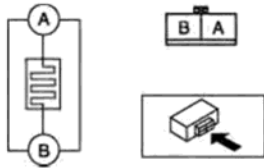
Switch position	Terminal				
	B	H	F	A	G
ON	○⊕○	○—○	○—○	○⊕○	○⊕○
OFF	○⊕○	○—○		○⊕○	○⊕○

## SEAT WARMER INSPECTION

1. Remove the front seat.(See FRONT SEAT REMOVAL/INSTALLATION .)
2. Remove the seat cushion trim.(See FRONT SEAT DISASSEMBLY/ASSEMBLY .)
3. While inspecting for continuity between the terminals A and B of the connector, use a dryer to warm the thermostat of the seat warmer unit on seat cushion.



4. Verify that the continuity between the seat warmer terminals is as indicated in the table.



- If not as indicated in the table, replace the seat warmer switch.

○—○ : Continuity

Thermostat temperature	Terminal	
	A	B
More than approx. 37 °C {99 °F}		
Less than approx. 28 °C {82 °F}	○—○	○—○