

Subject: DASHBOARD UPPER SURFACE POOR APPEARANCE	Bulletin No: 09-038/12
	Last Issued: 09/19/2012

BULLETIN NOTE

- This bulletin supersedes the previous bulletin 09-032/09, issued on 07/07/2009. The APPLICABLE MODEL(S)/VINS have been revised.
- Changes are noted below in Red beside the change bar.

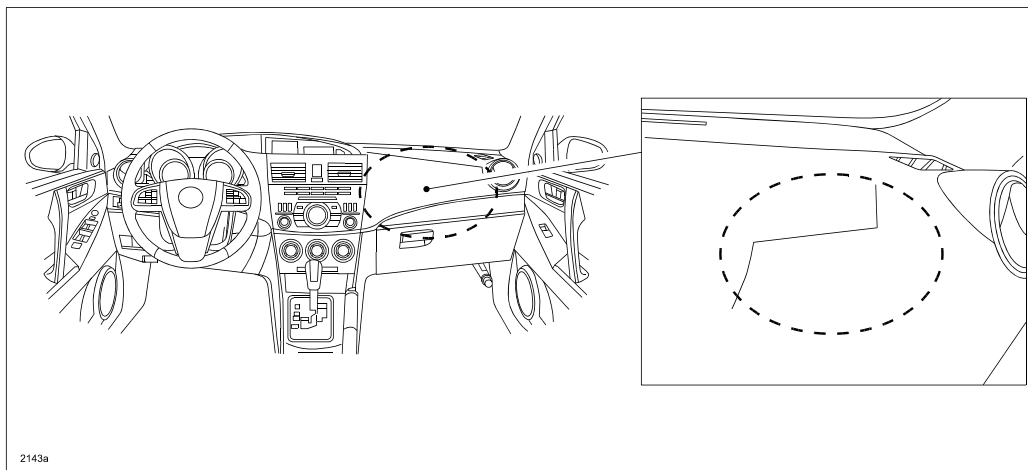
APPLICABLE MODEL(S)/VINS

2006-2013 MX-5	2004-2013 Mazda3	2003-2013 Mazda6	2007-2013 CX-9
2004-2011 RX-8	2006-2010 Mazda5	2013 CX-5	
2011-2013 Mazda2	2012 Mazda5	2007-2012 CX-7	

DESCRIPTION

Some customers may complain of a poor appearance or lines on upper surface of dashboard on the passenger side. Please explain to the customer that the appearance is normal and does not require repair. The lines are internal and are part of the air bag deployment system. This is normal and does not affect vehicle performance.

NOTE: The line appearance will vary with different lighting conditions.



For your information:

The airbag cover is made of a thin plastic with a tear line incorporated internally for deployment. The appearance concern does not affect vehicle performance and does not require repair.