

## **Please Read! Before starting the installation**

### **Supplementary Instruction for Navigation TV-Tuner and Navigation Video Switcher System**

This is a supplementary instruction that accompanied our New Version of **Navigation TV-Tuner/Video Switcher System**. This instruction only explains the new Navigation option. Please follow the original instruction for the rest of the standard TV-Tuner/Video Switcher installation and operation. *(Please, Read and Follow all the “Warning and Safety Instructions” that accompany the product/s especially about – “Parking/Hand Brake Safety Wire” – It’s Illegal to display any kind of video in the view of the driver while the car is in motion).* We suggest to temporary connecting the system and see if everything works before permanently installs it in. Contact us at [techsupport@avelectronic.com](mailto:techsupport@avelectronic.com) or (770) 418-1793 if you have any question.

1. Locate the RGB(Red/Blue/Green) & Sync **Signal** wires behind either the Navigation Display or Navigation DVD unit **depending on car**. Cut the RGB&Sync wires off at about 3 inches from the connector. Now there are total of 8 wires; 3-RGB & 1-Sync wires going to the Nav. Screen and the other 3-RGB & 1-Sync wires going to the Nav. ECU-Unit. (Note: the wire insulation color may not represent the actual RGB & Sync. Signal color).
2. Now observe the cable from the Navigation TV Tuner/Video Switcher system (labeled: **To Navigation System**). There are 2 bundles of wire labeled: “**To Navigation Unit**”, “**To Navigation Screen**”, and a “**Black-Ground Wire**”.
3. Below are the **Signal (R/G/B/Sync) wires ID chart** of the Navigation TV Tuner/Video Switcher system:

#### **To Navigation Unit:**

Grey wire = Red Color Signal  
Brown/White wire = Green Color Signal  
Light Blue wire = Blue Color Signal  
Pink wire = Sync. Signal

#### **To Navigation Screen:**

Yellow wire = Red Color Signal  
Orange wire = Green Color Signal  
Red wire = Blue Color Signal  
Brown wire = Sync. Signal

**Note: The “Video Ground (Black)” should be connected to a Good Chassis Ground Point of the Navigation Screen or Navigation ECU/DVD.**

4. Next connect all the wires up accordingly (by soldering for better connection) following the label on the wires and the “**Signal wires ID chart**” above. Use black electrical tape and tape up all the wire-joints to prevent from shorting.
5. An optional **Ground Wire** may be connected to the body of the Navigation TV Tuner/Video Switcher box and to a good car chassis ground to avoid ground loop/video distortion problem. Please follow the TV Tuner/Video Switcher instruction for the rest of the installation. Make sure to test the whole system before replacing all the removed panels.

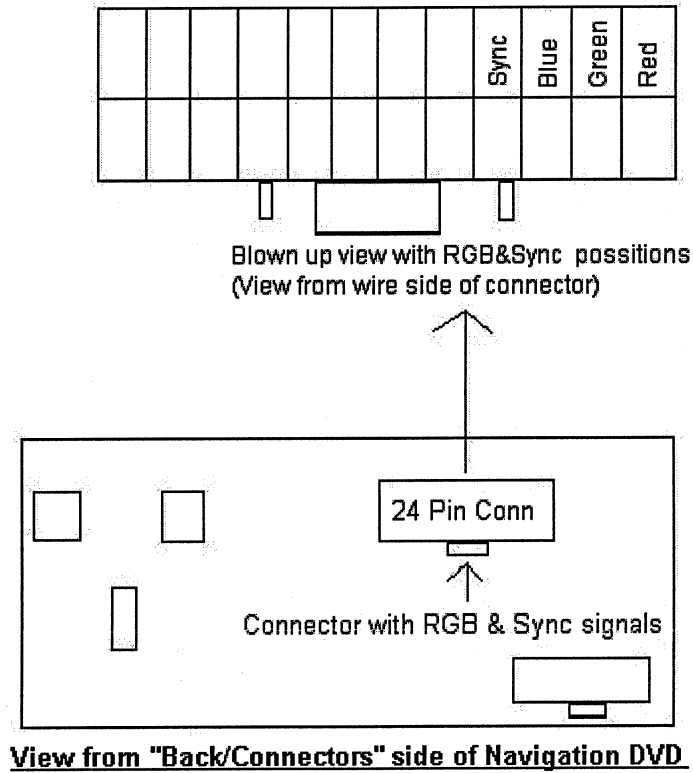
### **IMPORTANT INFORMATION:**

Please obey all state and local laws & regulations when operating the front monitor. Check laws regarding the installation and use of automotive products before purchasing. We are not responsible for any accident and/or violation, and also any damage to your system due to improper installation or miss use of our product. **For safety reason and also State/Federal laws requirement, the “Parking/Hand Brake Safety” wire should be connected to the Parking Brake Light Switch (-12 Volt).**

**For best video/picture: Use a good quality (name brand) DVD player.**

**Ver: mc6-5b14gy**

## AVElectronic, Inc – Mazda3/6/RX8 Wiring



**This Schematic is the property of AV Electronic, Inc.  
Please Do Not distributes.**

## Navigation Multi AV Switcher

Audio/Video 4 In - 4 Out Switcher  
with RF Wireless Remote Control

## Warning and Safety Instructions:

The Navigation TV-Tuner & Navigation Video Switcher systems are intended solely for Off-Road use or when the vehicle is in Park Position Only.

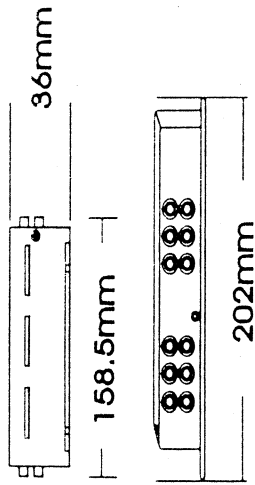
Please obey all Federal, State, and local laws and regulations when operating the front monitor. Check laws regarding the installation and use of any automotive products before purchasing. The manufacturer/seller cannot be held liable for any accident and/or violations, and also any damage to your system due to improper installations or miss use of this product.

Special Installation Note on Navigation TV-Tuner & Navigation Video Switcher system - For Safety Reason and State/Federal laws requirement, the "Parking/Hand Brake Safety Wire" from the Navigation TV-Tuner and Navigation Video Switcher system must be connected to the Parking Brake Light Signal (-); so the Video Output from the Navigation TV-Tuner and Navigation Video Switcher system will operate ONLY when the Parking/Hand Brake is engaged (vehicle is in parking position).

The operator/owner of the vehicle is/are solely responsible for the safe operation of the vehicle and the safety of the passenger/s. Failure to abide by these "Warning and Safety Instruction" could result in serious bodily injury or even death. Manufacture/Seller shall not be hold liable for any direct or indirect damages resulting from using this product. By purchasing/installing/using this product, the operator/owner/buyer is therefore agreeing to all the "Warning and Safety Instruction".

## Specification:

POWER SOURCE	DC 12V
POWER CONSUMPTION	3W max.
VIDEO BAND WIDTH	10MHz
AUDIO BAND WIDTH	15KHz
IMPEDANCE OF VIDEO INPUT	75 OHM
IMPEDANCE OF AUDIO INPUT	8.2K OHM
OPERATING TEMPERATURE	-5 C°~60C°
STORAGE TEMPERATURE	-30C°~80C°
WEIGHT	1200g (2.7lbs.)



**AV Electronic, Inc.**

Phone: (770)418-1793

email: [Sales@AVElectronic.com](mailto:Sales@AVElectronic.com)

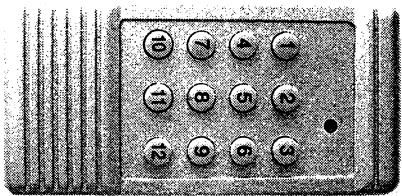
# Navigation Multi A/V Switcher

## Audio/Video 4 In - 4 Out Switcher

### with RF Wireless Remote Control

#### Remote Control Functions:

- 1 - Monitor 1
- 2 - Monitor 2
- 3 - Monitor 3
- 4 - Navigation Display
- 5 - Nav/Video Selector
- 6 - N/A
- 7 - N/A
- 8 - N/A
- 9 - N/A
- 10 - L. Cam On/Off
- 11 - N/A
- 12 - R. Cam On/Off



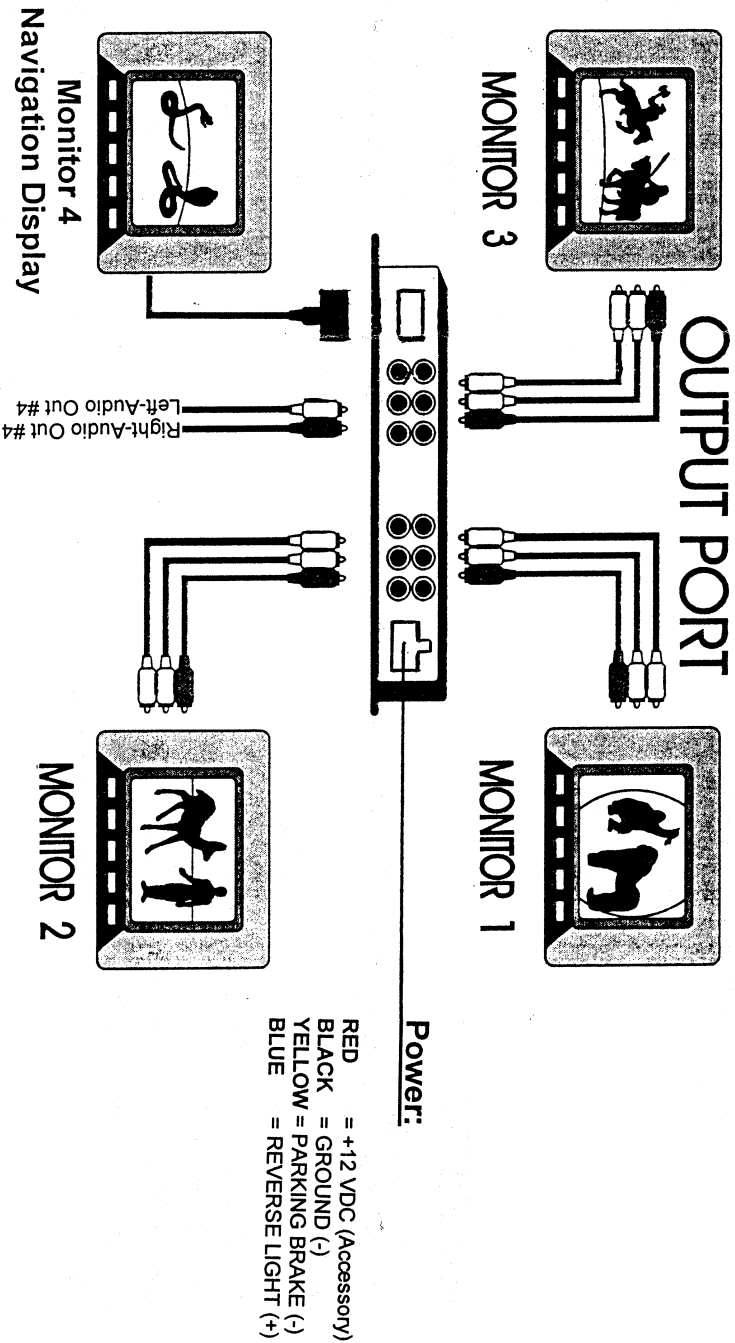
Each time button 1 - 4 is press, the Input Source to the corresponding Monitor changes source (1-4).

To enter L/R Camera mode, press either button #10 or #12. While in L/R Camera mode, user can switch between the L/R cameras without exiting first. To Exit just press the current active camera button one more time. (eg. Current active camera is L. Cam, press button #10 will exit L/R Camera mode)

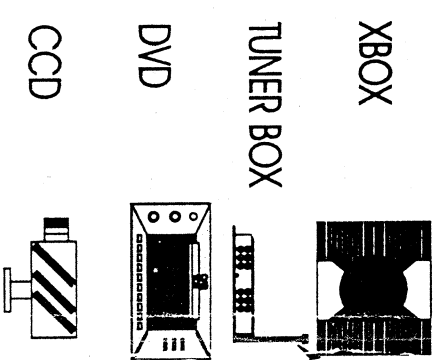
## AV Electronic, Inc.

Phone: (770)418-1793  
 email: [Sales@AVElectronic.com](mailto:Sales@AVElectronic.com)

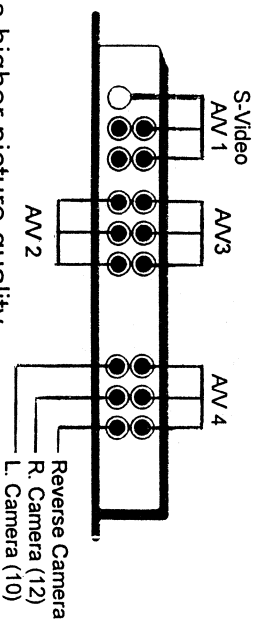
# All 4 Monitors can select 4 different sources independently



Accepts 4 different input sources for example



## INPUT PORT



~ S-Video input provides higher picture quality.

(Recommended for Car PC)

~ R. Camera & L. Camera can be use for:

- Left/Right Camera
- Front Camera
- Baby Camera (Rear Facing Infant)