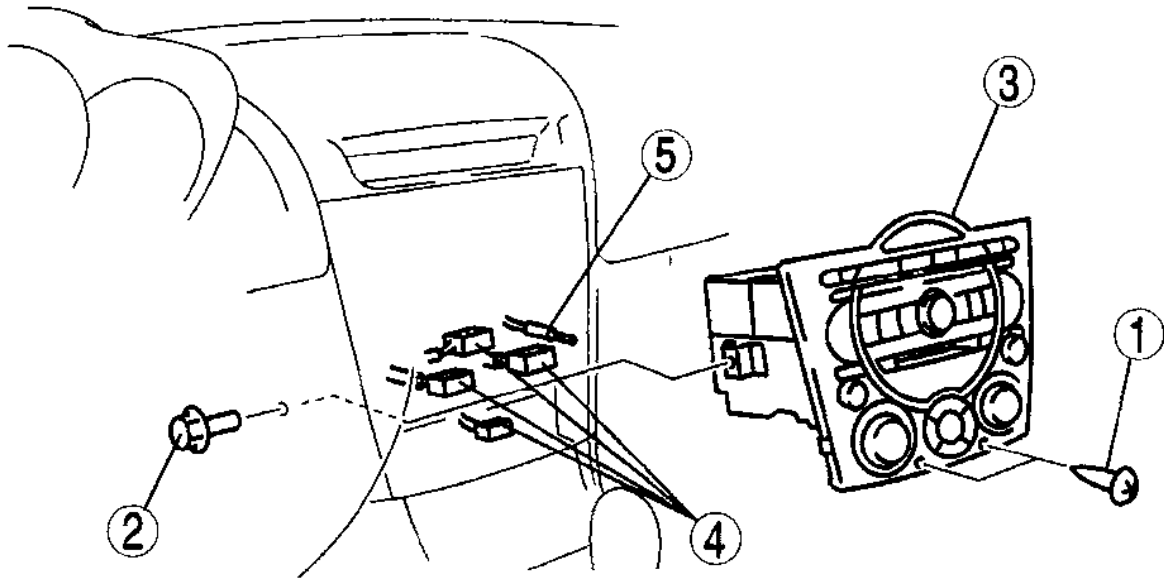


2006 Mazda RX-8 Sport
Fig. 3: Removing Center Panel Module
Courtesy of MAZDA MOTORS CORP.



BHE0920WR02

1	Screw
2	Bolt
3	Center panel module
4	Connector
5	Antenna feeder