

GENUINE SIDE SKIRT SET**INSTALLATION AND USER'S INSTRUCTIONS**

Thank you for purchasing a genuine Mazda accessory.

Before removal and installation, be sure to thoroughly read these instructions.

Please read the contents of this booklet in order to properly install and use the side skirt set. Your safety depends on it.

Keep these instructions with your vehicle records for future reference.

⚠ WARNING

- There are several **⚠WARNING** and **⚠CAUTION** sections in this booklet concerning safety when installing or removing the side skirt set. Always read and follow them in order to prevent injuries, accidents, and possible damage to the vehicle.

⚠ WARNING: Indicates a situation in which serious injury or death could result if the warning is ignored.

⚠ CAUTION: Indicates a situation in which bodily injury or damage to the vehicle could result if the caution is ignored.

- Do not modify the side skirt set.
- Do not install the side skirt set in any way other than described in the following instructions.
- If in any doubt, please ask your Mazda dealer to install the accessory in order to prevent errors in installation.
- If you have any questions about the use of the accessory, ask your Mazda dealer for proper advice before using it.
- Mazda and its suppliers are not responsible for injuries, accidents, and damage to persons and property that arise from the failure of the dealer or installer to follow these instructions.
- To ensure safety and reliability of the work, installation, removal and disposal work must be carried out by an Authorized Mazda Dealership.
- Be careful not to lose removed parts, and be sure that they are kept free from scratches, grease or other dirt.

PART NAME: SIDE SKIRT SET
PART NUMBER: QSEA 70 900A
VEHICLE: Mazda RX-8

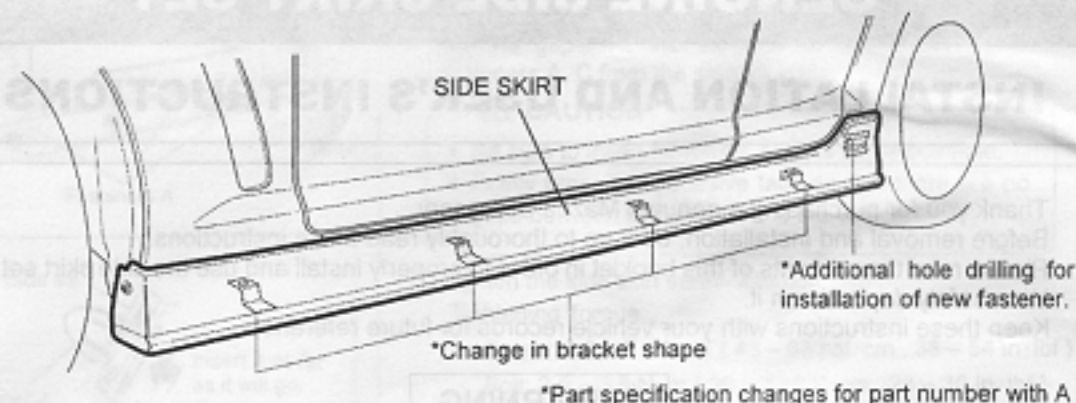
NOTE**To the dealer**

- Please turn over these instructions to the customer after installation.

To the customer

- Keep these instructions after installation. The instructions may be necessary for installing other optional parts or removal of this accessory.
- Should the vehicle or this accessory be resold, always leave these instructions with it for the next owner.

1 INSTALLATION VIEW



2 PARTS

Note

- Before installation, verify that the kit includes all the following parts and that they are free of dirt, scratches, or damage.

Part	Part name	Spec	Qty.	Part	Part name	Spec	Qty.
	Side skirt (RH, LH)	Same as the body color	1 ea.		Clip	-	4
	Screw	M6 x 20	2		Bolt	M5 x 15	4
	Speed nut	-	2		Fastener A	Resin fastener, white	6
	Protect seal	Urethane (30 x 30)	12		Fastener C	Resin fastener, white	2
	Fastener B	Resin fastener, black	8		Packing seal	Neoprene rubber	12
	Installation and user's instructions	Paper	1		Paper pattern set (A, B, C, D, E)	Paper patterns A, B, C, E (A3 size) Paper pattern D (A4 size)	5

3 BEFORE INSTALLATION

REQUIRED TOOLS

Prepare the following tools or items before installation.

- | | | | | |
|---------------------------|--------------------|--------------|-------------|------------------|
| ★ Drill bit (3 mm, 8 mm) | ★ Clean rags | ★ Round file | ★ Cutter | ★ Oil base pen |
| ★ Phillips screwdriver | ★ Fastener remover | ★ Hacksaw | ★ Drill | ★ Vacuum cleaner |
| ★ IPA (Isopropyl alcohol) | ★ Masking tape | ★ Scissors | ★ Duct tape | |

WARNING

When installing the accessory, park the vehicle on level ground, use wheel blocks, and apply the side brake securely.



CAUTION

Be sure to cover the vehicle body with protectors or mats to prevent stains, scratches and damage when removing/installing the vehicle parts.



Using improper tools may cause damage and/or broken parts. Use the correct tool for the job.



Before installing the parts with double-sided adhesive tape, wipe dust and dirt off the surface where the double-sided adhesive tape contacts. Otherwise, the parts may come off, resulting in a malfunction.



Put the removed parts and the parts in the kit on the protective sheet to prevent scratches.

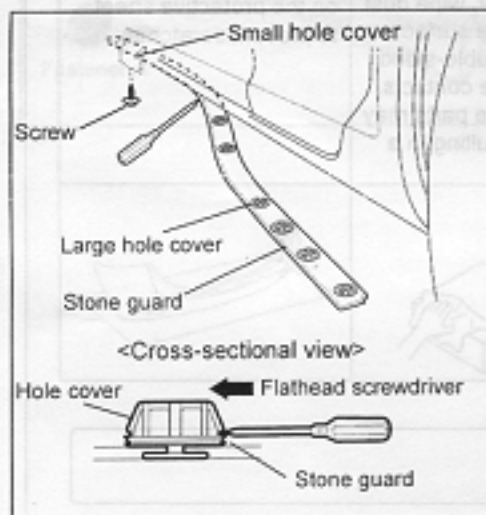
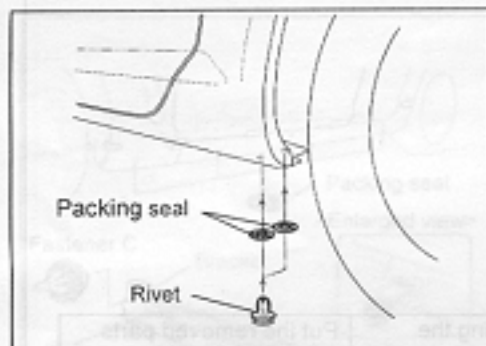
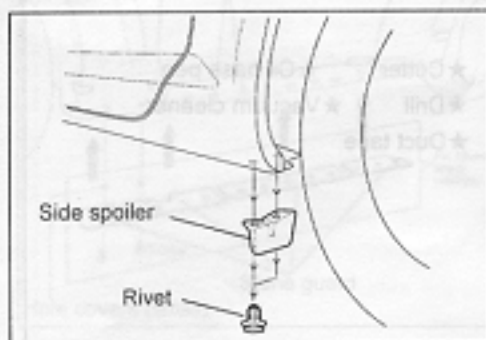


CAUTION

- Always perform the installation work with two people.

WARNING

- Refer to the Workshop Manual for removal and installation of vehicle parts. Not following the procedures for removal/installation in the Workshop Manual could result in an accident or vehicle malfunction.



Preparation before installation

Note

- The figures show the left side, however, perform the same procedure for the right side.

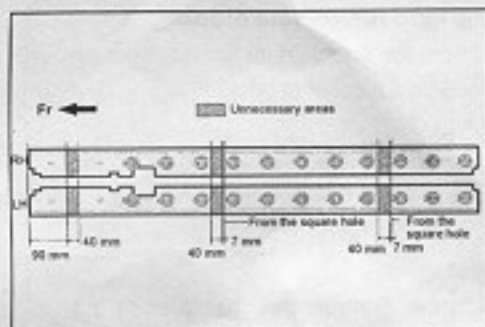
- Remove the rivets fastening the side spoiler, and then remove the side spoiler from the vehicle body.
- Affix the packing seals to the holes for the removed rivets and reinstall the rivets.

Stone guard removal (18-inch wheel vehicle)

- Remove the screws for the small hole covers that are first and second from the front end of the stone guard.
- Using a flathead screwdriver, remove the large hole covers (11) fastening the stone guard one by one starting from the rear end, and then remove the stone guard completely.
- Remove the small hole covers (black) that are first and second from the front end.

Note

- Starting from the rear and working towards the vehicle front, each of the large hole covers can be removed easily by inserting a flathead screwdriver in the side of the clip. (The clips beginning third from the front are the large clips.)
- Starting from the rear and working towards the vehicle front, each of the small hole covers can be removed easily by inserting a flathead screwdriver from the front and rear. (The clips first and second from the front are the small hole covers.)



4. Cut the stone guard at the points shown in the figure.

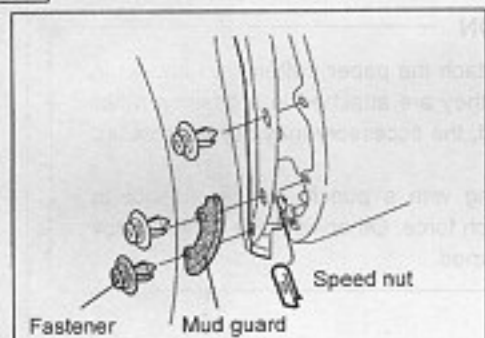
⚠ WARNING

- Always handle the hacksaw and cutter carefully. Otherwise, serious injury could result.

⚠ CAUTION

- Always cut the stone guard as specified. Otherwise, the accessory may not be installed properly.


5 SIDE SKIRT SET INSTALLATION

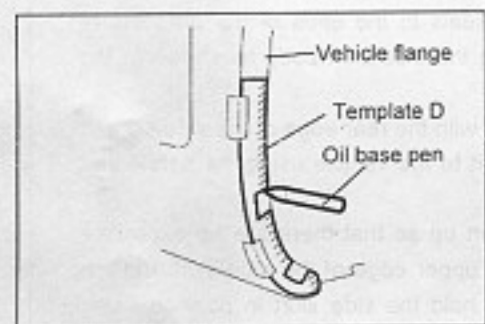


Installation of speed nuts to front wheel arch

1. For equipped vehicles, remove the front wheel arch fasteners (3) from the vehicle and mud guard.
2. Bend back the inner cover and install the speed nut (1).
3. Reinstall the fasteners (2) removed from the vehicle to their original positions.

Note

- The fastener and mud guard that were installed in the lowest position are not reused. ( not reused)

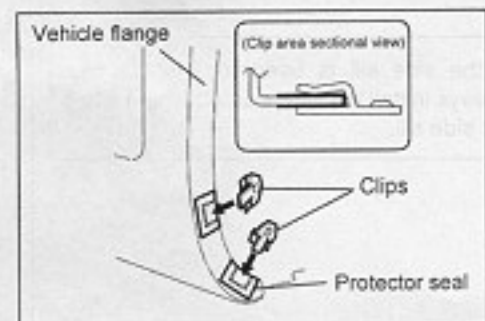


Installation of clips to rear wheel arch

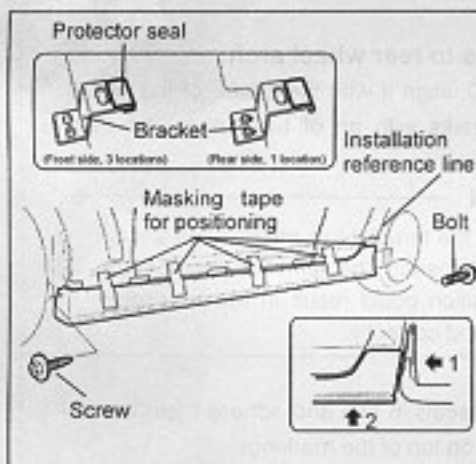
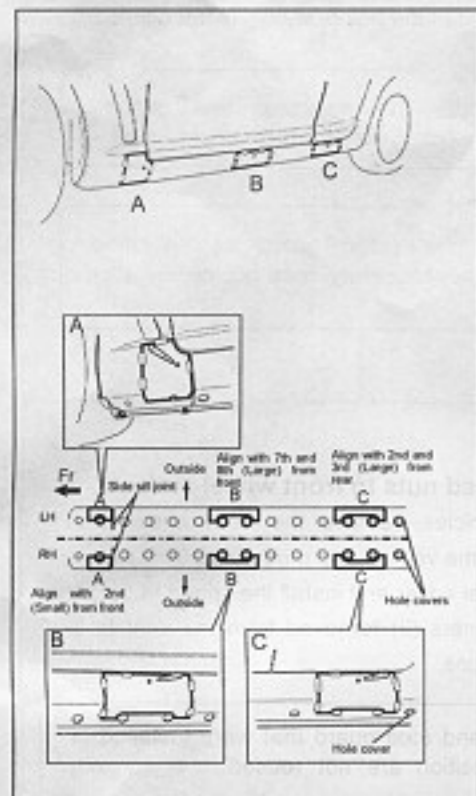
1. Cut out template D, align it with the shape of the wheel arch and place marks with an oil-base pen, and then remove the template.

⚠ CAUTION

- Always adhere the template to the position shown in the figure. Adhering the template outside the designated position could result in the accessory not being installed correctly.



2. Fold the protector seals in two and adhere them around the vehicle flange on top of the markings.
3. Install the clips to the marked positions and confirm that they are securely affixed all the way to the back of the vehicle flange.



Drilling position marking for vehicle side

1. Wipe off oil or dust from the side skirt installation area on the vehicle using isopropyl alcohol (IPA).
2. Cut out templates A to C.
3. Align with the vehicle and adhere, and after marking the drilling position using a punch, remove the templates.

(18-inch wheel vehicles)

*Align the templates to the diameters of the holes in the side-sill.

(16-inch wheel vehicles)

*Align the templates to the diameters of the hole covers.

CAUTION

- Be sure to attach the paper patterns as shown in the figure. If they are attached in a position other than specified, the accessory may not be installed properly.
- When marking with a punch, be careful not to apply too much force. Otherwise, the vehicle body may be deformed.

Temporary installation of side skirt

1. Adhere protector seals to the ends of the brackets (4 locations) securing the side skirt body as shown in the figure.
2. Align the side skirt with the rear edge of the side-sill and temporarily install it to the vehicle using the screw and bolt.
3. Raise the side skirt up so that there are no excessive gaps between the upper edge of the side skirt and the vehicle body, and hold the side skirt in position using masking tape.

Note

- The edge of the side sill is used for installation positioning. Always install the side skirt attaching it to the edge of the side sill.

Marking drill positions for the lower surface of the vehicle side-sill

1. Align the brackets for the side skirt so that they are in contact with the vehicle side-sill and mark the center of the bracket installation hole with an oil-base pen.

Note

- Perform the position marking work while pressing the side skirt against the side-sill. The correct bracket hole drilling position is with the end of the bracket contacts the vehicle side-sill is the correct hole drilling position.

Marking positions for rear fender hole drilling

1. Cut out template E using scissors and insert it between the rear fender and the side skirt.
2. Align the template E line to the upper edge of the side skirt and adhere it using masking tape.
3. Remove the temporarily installed screw and bolts for the side skirt, and then remove the side skirt.

CAUTION

- Leave the masking tape used for positioning as it is.

4. Remove template E after marking the hole-drilling positions using a punch.


CAUTION

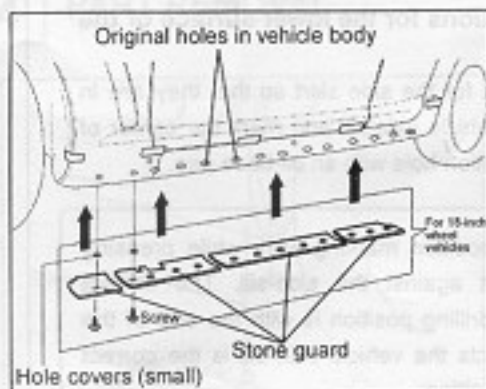
- Do not use excessive force when marking using a punch. It could deform the fender.

Body hole drilling

1. Tap the punch into the four positions marked on the lower part of the side-sill with the oil base pen.
2. Wipe off oil or dust from the skirt installation area on the vehicle using isopropyl alcohol (IPA).
3. Drill the 3 mm pilot holes marked with the punch, and then the 8 mm pilot holes.

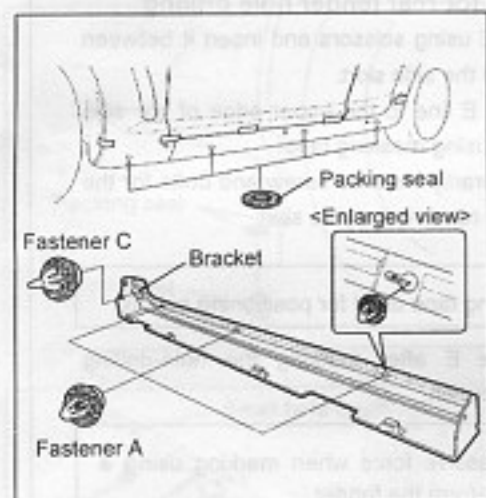
CAUTION

- Be careful when handling drills and other sharp objects so as not to cause injury.
- Create a drilling guide by adhering duct tape to the area 20 mm from the drill bit end.
- There is double steel plating in the  area. Drill the holes through both steel plates. Otherwise fasteners A and B (described in following procedure) will not be completely secured.
- If chips produced during drilling fall into the side sill or the vehicle body, always remove them with a vacuum cleaner. Otherwise, they can cause rust or noise.
- Always remove burrs around the hole with a round file and apply touchup paint to prevent rust.



Re-installing the stone guard (18-inch wheel vehicles only)

1. Install the small hole covers (2) to their original positions. (1st and 2nd positions from the vehicle front)
2. Re-install the large hole covers for the stone guard to their original positions.
3. Install the stone guard using the screws. (1st and 2nd positions from the vehicle front)

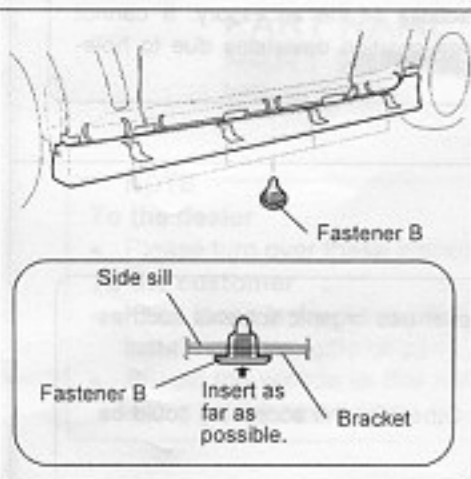
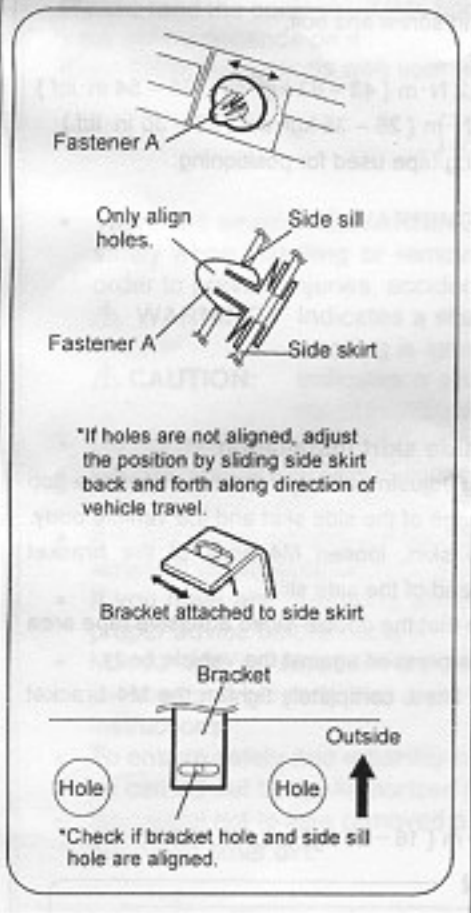
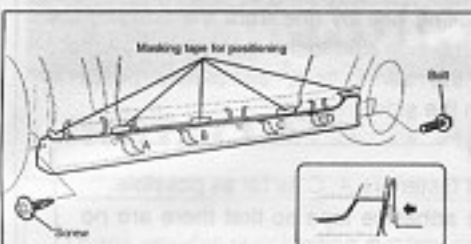


Preparation before installing side skirt

1. Wipe off oil or dust from the side skirt installation area on the vehicle using isopropyl alcohol (IPA).
2. Adhere the packing seals (4) in the positions shown in the figure.
3. Install fasteners A (3) to the side skirt.
4. Install fastener C (1) to the bracket.

⚠ CAUTION

- Because fasteners A and C resemble each other, be careful not to mistake them when performing the installation work.



Side skirt installation

1. Peel back 50 to 60 mm of the paper backing from each piece of the double-sided adhesive tape and turn back the paper backings outward.
2. Align the side skirt to the positioning masking tape with the edge of the side sill, and temporarily secure the side skirt with the screw and bolt.

Note

- The edge of the side sill is used for installation positioning. Always install the side skirt attaching it to the edge of the side sill.

CAUTION

- Do not completely insert side skirt fastener A, C into the installation hole.

Note

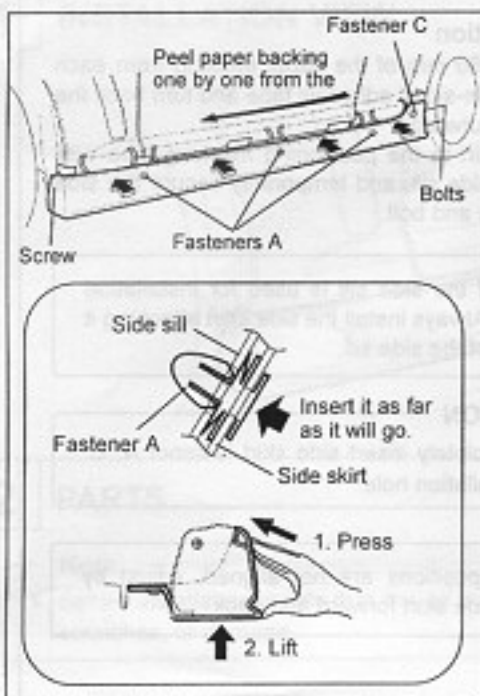
- If the hole positions are not aligned, adjust by sliding the side skirt forward and back.

3. Align fasteners B (4) with the bracket holes on the lower side of the side skirt and the hole positions on the lower side of the vehicle body, and insert completely.

*If inserting the fastener becomes difficult, lightly tap it in with a plastic hammer or similar tool.

CAUTION

- Be sure to insert fasteners B as far as they will go. If they are not inserted completely, the side skirt may not be installed properly and may come off.



4. Peel the paper backing one by one from the edge of the side sill, and press the side skirt to the side sill so that there are no gaps. At the same time, completely press in fasteners A, C from the side sill edge.

CAUTION

- Be sure to insert fasteners A, C as far as possible.
- Firmly press the adhesive tape so that there are no gaps between the side sill and the vehicle body.

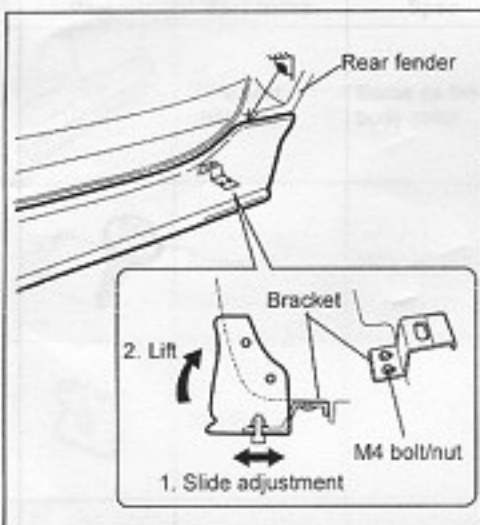
5. Tighten the side skirt screw and bolt.

Tightening Torque

Screw: 4.2 – 6.2 N·m { 43 – 63 kgf·cm , 38 – 54 in·lbf }

Bolt: 2.5 – 3.5 N·m { 26 – 35 kgf·cm , 23 – 30 in·lbf }

6. Remove the masking tape used for positioning.



Adjustment after side skirt installation

*Perform the following adjustment only if there is excessive gap between the upper edge of the side skirt and the vehicle body.

1. To slide the side skirt, loosen M4 bolts of the bracket securing the very end of the side skirt.
2. Lift the side skirt so that the double-sided adhesive tape area on the upper side is pressed against the vehicle body.
3. With the side skirt lifted, completely tighten the M4 bracket bolts.

Tightening torque :

M4 bolt 1.5 – 2.5 N·m { 16 – 25 kgf·cm , 14 – 22 lbf·in }

CAUTION

- This adjustment mechanism is for absorbing slight differences in solidity of the accessory. It cannot make up for large position deviations due to hole-drilling mistakes.

6 HANDLING CAUTION

CAUTION

- If the accessory gets dirty, clean it with a neutral detergent. Never use organic solvents such as thinner or benzene.
- Never step on the aero parts when the vehicle is stopped.
- Decelerate and drive carefully when driving over bumpy roads. Otherwise the accessory could be damaged.