

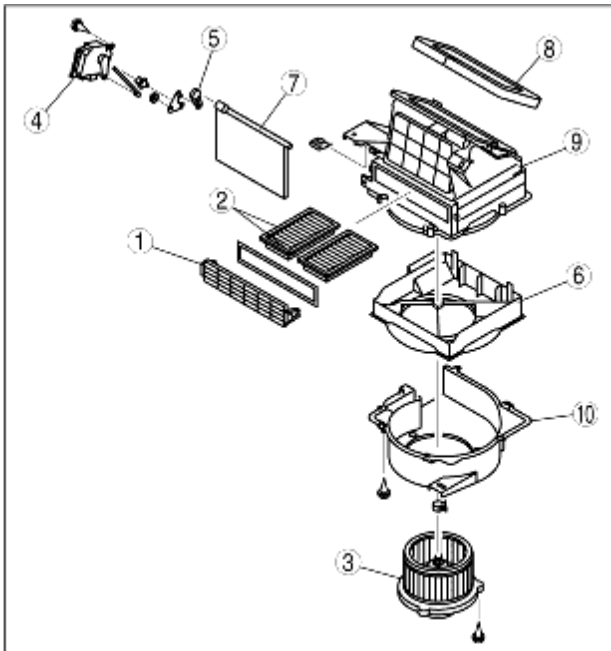
BLOWER UNIT DISASSEMBLY/ASSEMBLY

BHE071161140W02

1. Disassemble in the order indicated in the table.

Caution

- If a non-specified grease is used, it may result in abnormal noise or improper operation of the links. Apply only the specified grease to each link.



CHU0711W002

1	Air filter cover
2	Air filter
3	Blower motor
4	Air intake actuator
5	Air intake link
6	Plate
7	Air intake door
8	Adhesive polyurethane
9	Blower case (1)
10	Blower case (2)

2. Assemble in the reverse order of disassembly.