

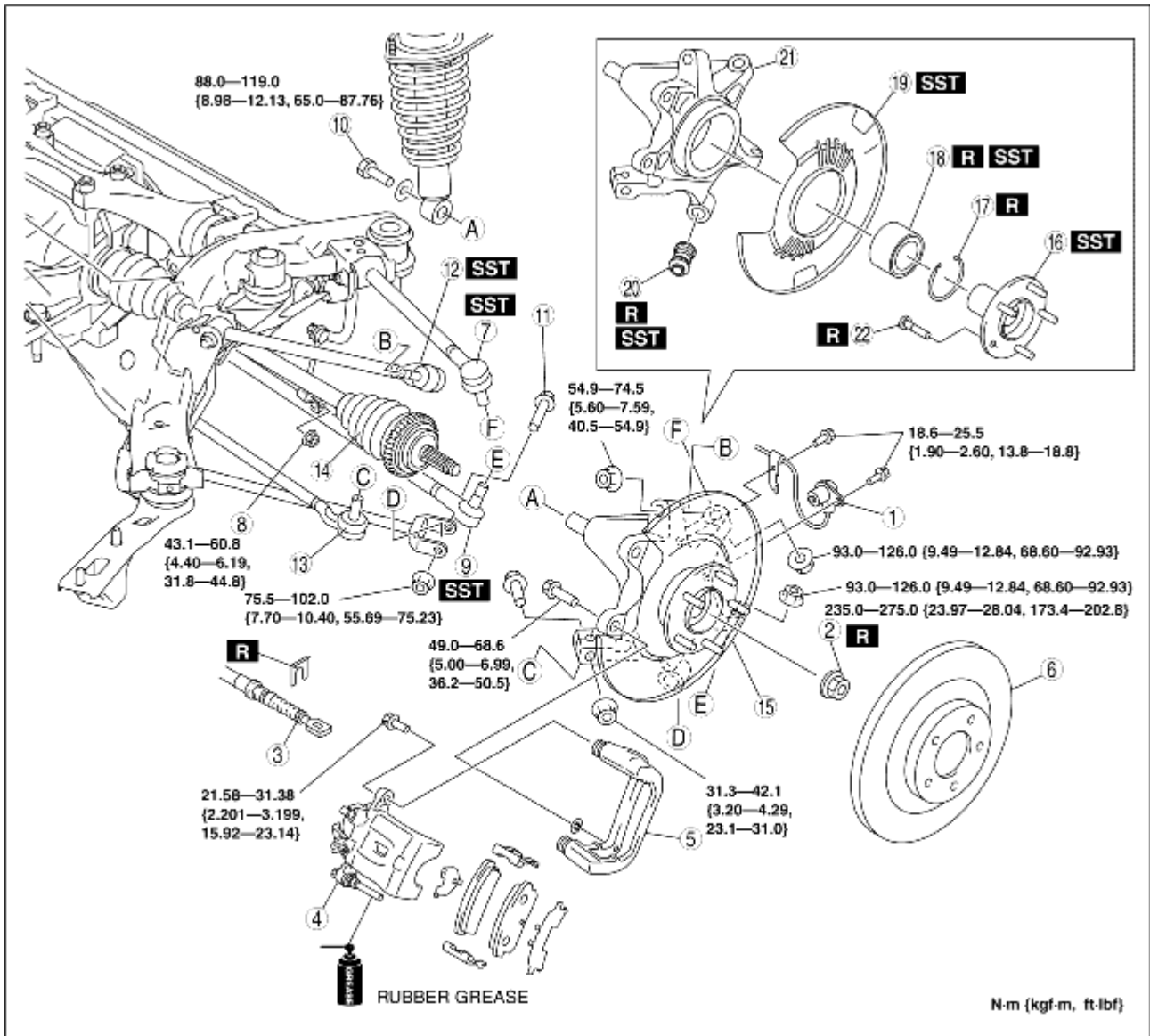
WHEEL HUB, REAR KNUCKLE REMOVAL/INSTALLATION

BHE031205060W02

Caution

- Performing the following procedures without first removing the ABS wheel-speed sensor may possibly cause an open circuit in the wiring harness if it is pulled by mistake. Before performing the following procedures, remove the ABS wheel-speed sensor (axle side) and fix it to an appropriate place where the sensor will not be pulled by mistake while servicing the vehicle.

1. Remove in the order indicated in the table.
2. Install in the reverse order of removal.
3. After installation, inspect the rear wheel alignment. (See [REAR WHEEL ALIGNMENT](#).)

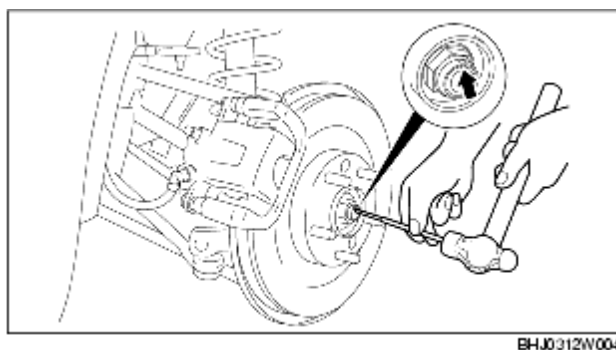


1	ABS wheel-speed sensor
2	Locknut (See Locknut Removal Note.) (See Locknut Installation Note.)
3	Parking brake cable
4	Brake caliper component (See Brake Caliper Component Removal Note.)
5	Mounting support
6	Disc plate (See Disc Plate Removal Note.) (See Disc Plate Installation Note.)
7	Rear lateral link (upper) ball joint (See Rear Lateral Link (Upper) Ball Joint Removal Note.)
8	Stabilizer control link (lower) (See Stabilizer Control Link Installation Note.)

9	Rear lateral link (lower) ball joint (See Rear Lateral Link (Lower) Ball Joint Removal Note.)
10	Shock absorber bolt (lower)
11	Rear trailing link (lower) outside bolt
12	Rear trailing link (upper) ball joint (See Rear Trailing Link (Upper) Ball Joint Removal Note.)
13	Toe control link (outer)
14	Rear drive shaft (See Rear Drive Shaft Removal Note.)
15	Rear knuckle component
16	Wheel hub component (See Wheel Hub Component Removal Note.) (See Wheel Hub Component Installation Note.)
17	Retaining ring
18	Wheel bearing (See Wheel Bearing Removal Note.) (See Wheel Bearing Installation Note.)
19	Dust cover (See Dust Cover Removal Note.) (See Dust Cover Installation Note.)
20	Bushing (See Bushing Removal Note.) (See Bushing Installation Note.)
21	Rear knuckle
22	Wheel hub bolt (See Wheel Hub Bolt Removal Note.) (See Wheel Hub Bolt Installation Note.)

Locknut Removal Note

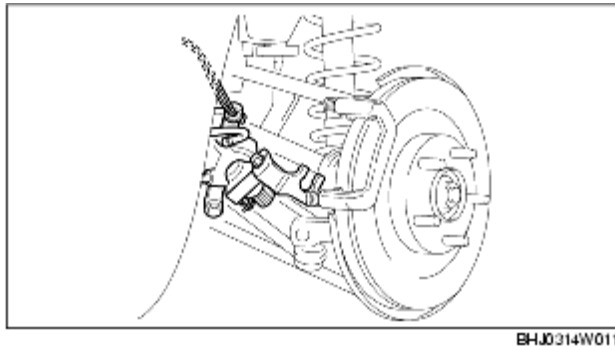
1. Lock the disc plate by applying the brakes.
2. Knock the crimped portion of the locknut outward using a chisel and a hammer.



3. Remove the locknut.

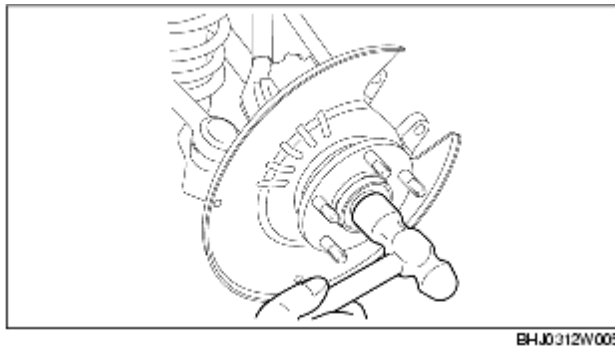
Brake Caliper Component Removal Note

1. Suspend the brake caliper component using a cable.



Rear Drive Shaft Removal Note

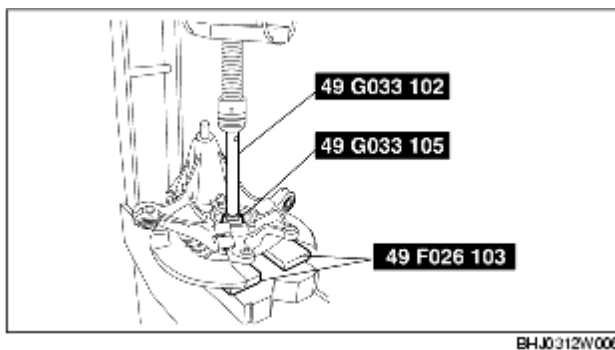
1. Temporarily install a spare nut onto the end of the rear drive shaft.
2. Tap the nut with a copper hammer to loosen the drive shaft from the wheel hub.



3. Separate the rear drive shaft from the wheel hub.

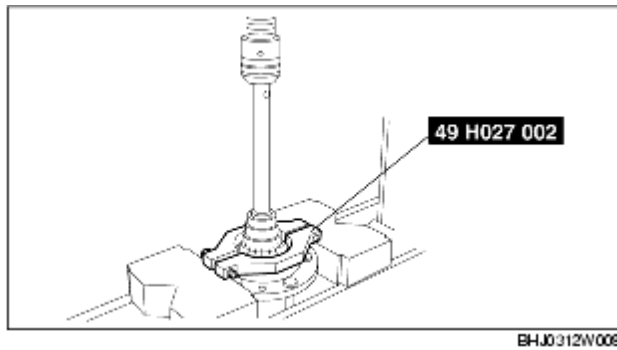
Wheel Hub Component Removal Note

1. Remove the wheel hub component using the **SSTs**.



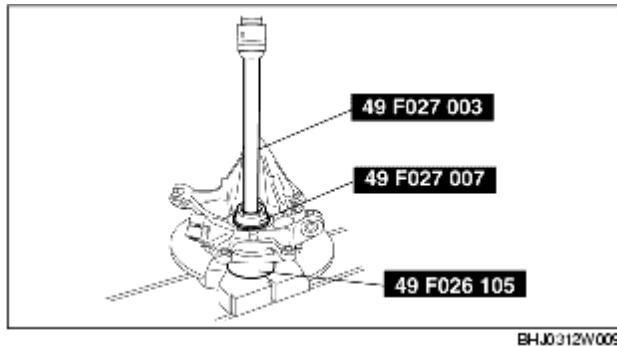
2. If the bearing inner race remains on the wheel hub component, use a chisel to secure a sufficient space for installing the **SST** between wheel hub component and bearing inner race.

3. Remove the bearing inner race using the **SST**.



Wheel Bearing Removal Note

1. Remove the wheel bearing from the rear knuckle using the **SSTs**.

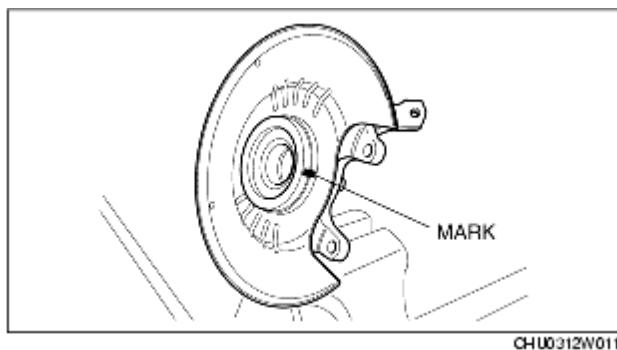


Dust Cover Removal Note

Note

- Remove the dust cover only if there is an abnormality.

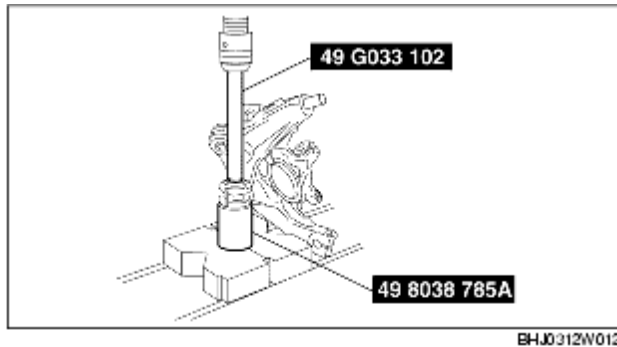
1. Place an alignment mark on the dust cover and rear knuckle for proper installation.



2. Remove the dust cover using a chisel.

Bushing Removal Note

1. Remove the bushing from the rear knuckle using the **SSTs**.

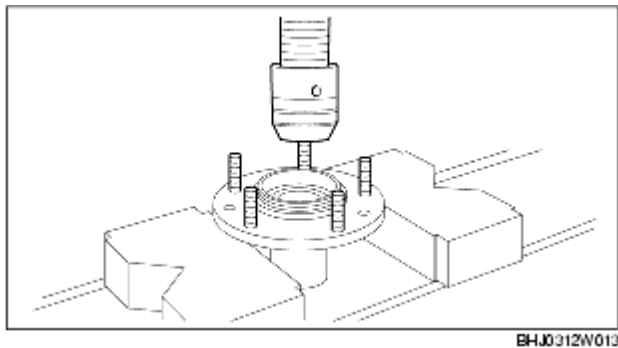


Wheel Hub Bolt Removal Note

Note

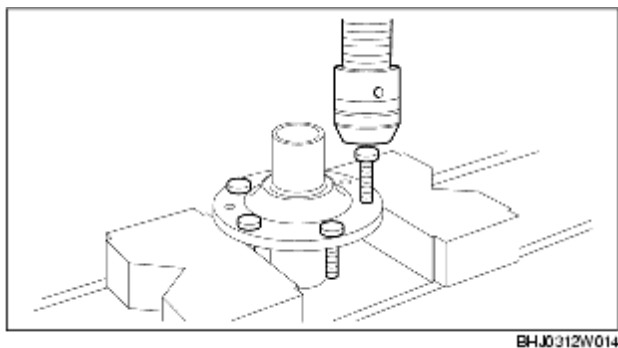
- Remove the dust cover only if there is an abnormality.

1. Remove the wheel hub bolts from the wheel hub using a press.



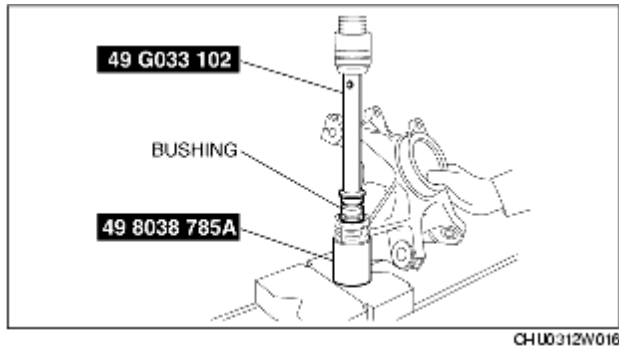
Wheel Hub Bolt Installation Note

1. Press in new wheel hub bolts into the wheel hub using a press.



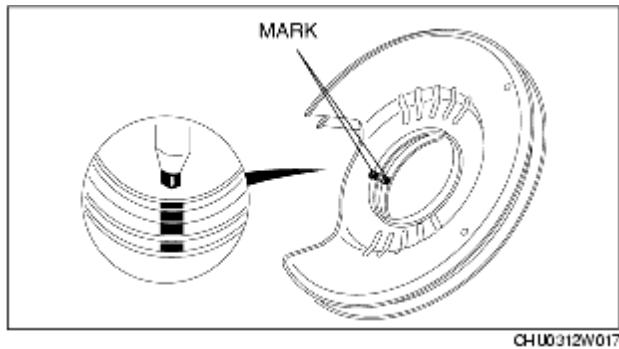
Bushing Installation Note

1. Press the new bushing into the rear knuckle using the **SSTs**.

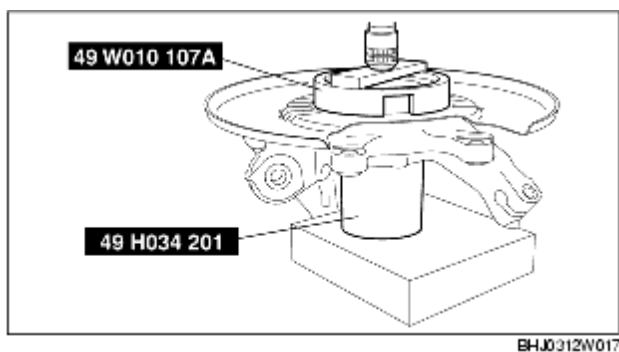


Dust Cover Installation Note

1. Align the new and old dust covers and place alignment marks on the new dust cover.



2. Align the marks on the new dust cover and rear knuckle.
3. Press the new dust cover onto the rear knuckle using the **SSTs**.

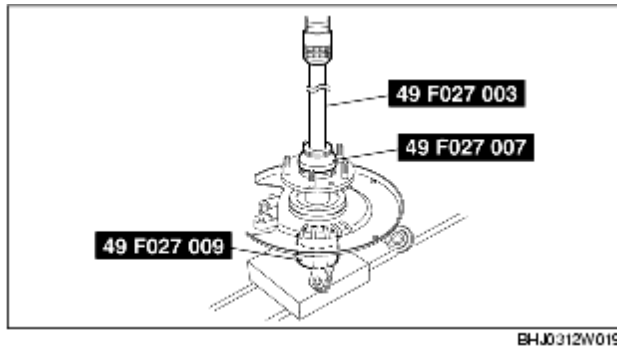


Wheel Bearing Installation Note

1. Install a new wheel bearing using the **SSTs**.

Wheel Hub Component Installation Note

1. Install the wheel hub component using the **SSTs**.



Locknut Installation Note

1. Tighten a new locknut.
2. Install a new locknut and indent as shown to crimp the locknut, using a chisel and hammer.

