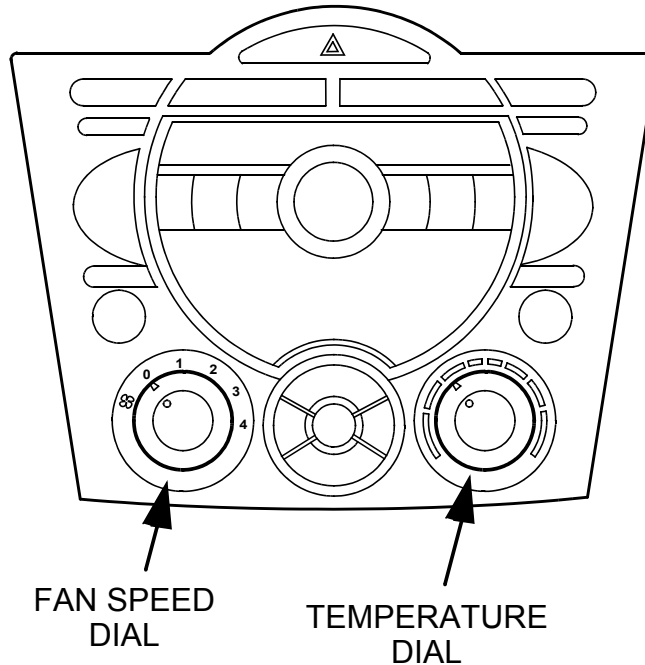


<b>Subject:</b> TEMPERATURE CONTROL DIAL AND / OR FAN CONTROL DIAL BREAK OR COME OFF	<b>Bulletin No:</b> 07-003/03
	<b>Last Issued:</b> 11/3/2003

## APPLICABLE MODEL(S)/VINS

2004 RX8 VIN Range: JM1FE\*\*40000000 to JM1FE\*\*40115374



1239a

## DESCRIPTION

On some vehicles, the temperature control dial and / or the fan control dial break or come off. A reinforced replacement part is available to correct this condition.

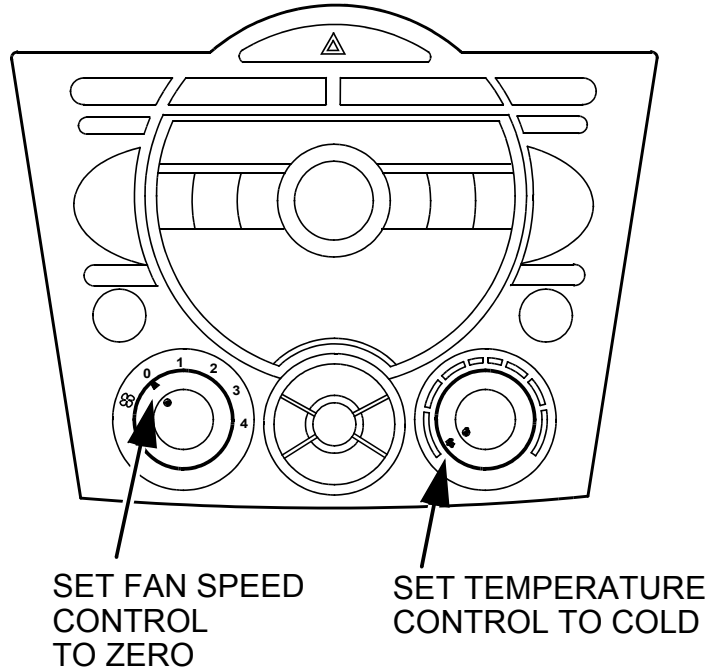
Customers experiencing this concern should have both the fan control dial and the temperature control dial replaced using the following procedure.

**CONSUMER NOTICE:** The information and instructions in this bulletin are intended for use by skilled technicians. Mazda technicians utilize the proper tools/equipment and take training to correctly and safely maintain Mazda vehicles. These instructions should not be performed by "do-it-yourselfers." Customers should not assume this bulletin applies to their vehicle or that their vehicle will develop the described concern. To determine if the information applies, customers should contact their nearest authorized Mazda dealership. Mazda North American Operations reserves the right to alter the specifications and contents of this bulletin without obligation or advance notice. All rights reserved. No part of this bulletin may be reproduced in any form or by any means, electronic or mechanical--including photocopying and recording and the use of any kind of information storage and retrieval system ---without permission in writing.

## REPAIR PROCEDURE

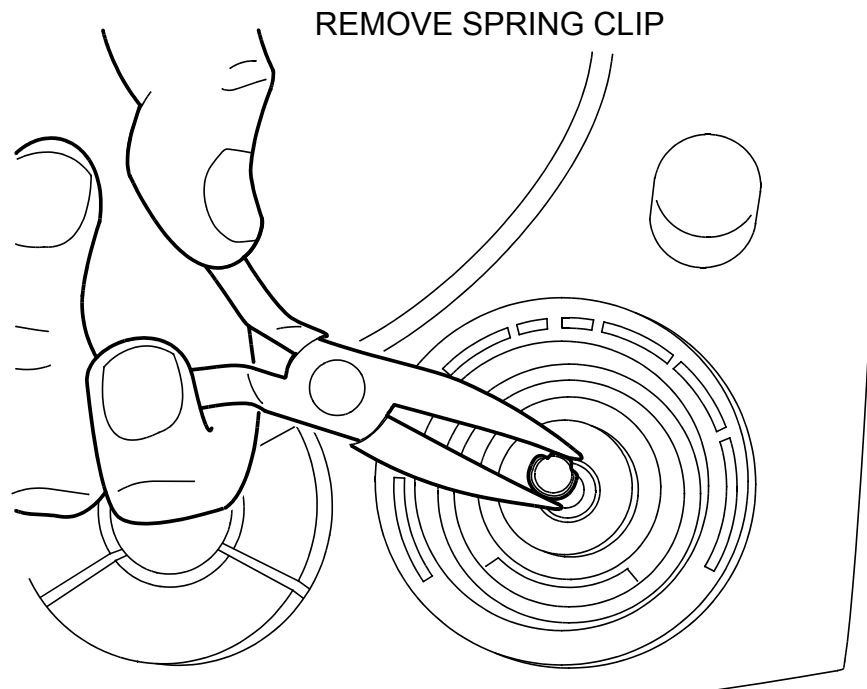
1. Turn the fan control dial and temperature control dial all the way to the left (counterclockwise).

**NOTE:** You may have to turn the knobs further than the lowest position if the knob is already broken.



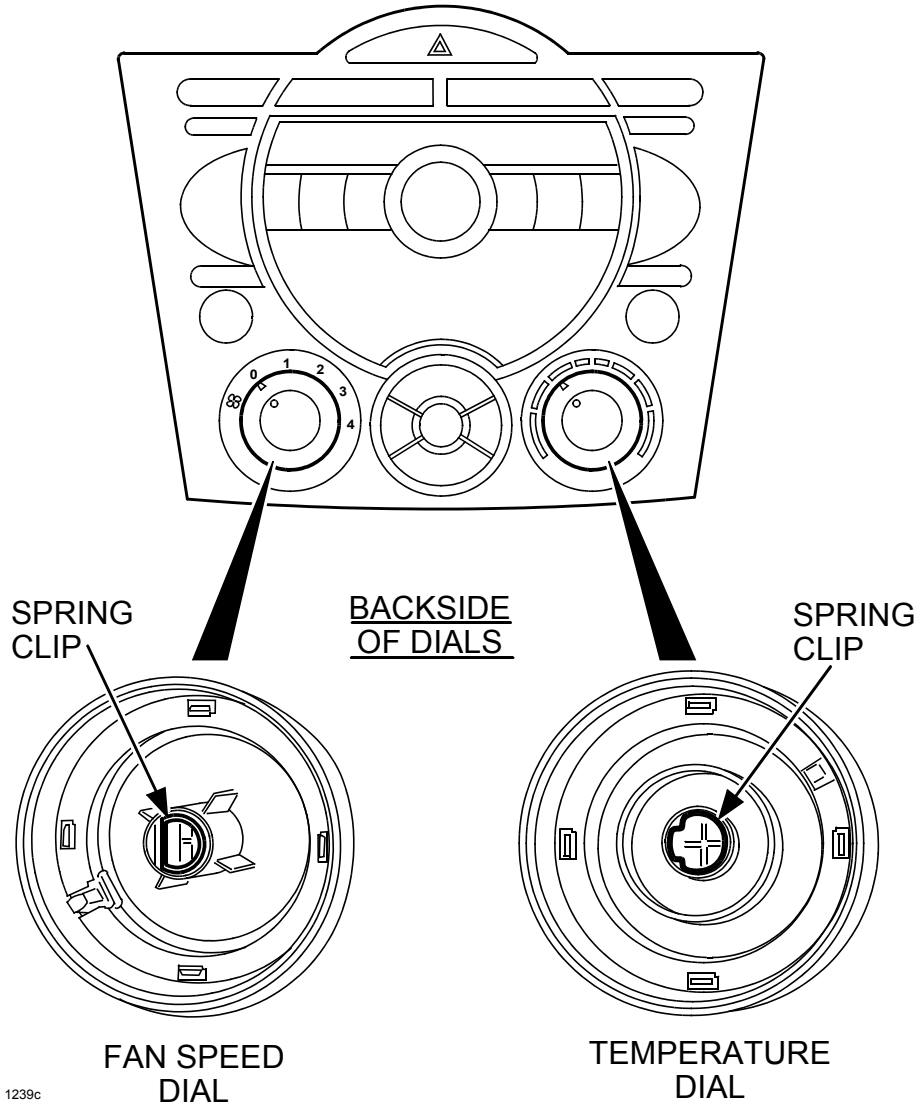
1239d

2. You should be able to pull the fan control dial and the temperature control dial off by hand. If you have difficulty you may use channel locks, but be sure to protect the center panel finish from damage.
3. If the spring clip from the center of the dial remains on either shaft, remove it with needle nose pliers.



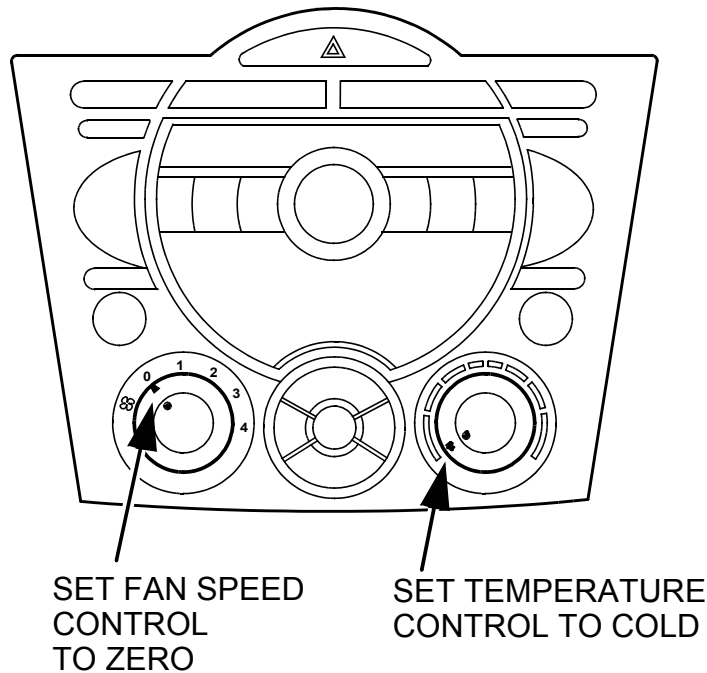
4. The fan control dial and temperature control dial are different and not interchangeable. Identify the correct

new dials before replacement.



## 5. Install the fan control dial:

- Line up the position indicator on the control dial with the "0" fan speed and press it onto the control shaft.
- If the dial cannot be installed, check to make sure it is aligned properly with the control shaft.



1239d

## 6. Install the temperature control dial:

- Line up the position indicator on the control dial with the "coldest" temperature setting and press it onto the control shaft.
- If the dial cannot be installed, check to make sure it is aligned properly with the control shaft.

## 7. Verify repair.

- Make sure both control dials are installed completely.
- Pull lightly on the dials to make sure they will not come off and are not loose.
- Turn the fan control dial to each position 0-4 and make sure the fan operates properly.
- Turn the temperature control dial through all temperature ranges from highest to lowest and make sure temperature changes from hot to cold properly.

<b>Bulletin No:</b> 07-003/03	<b>Last Issued:</b> 11/3/2003
-------------------------------	-------------------------------

**PART(S) INFORMATION**

Part Number	Description	Qty.
FE61 61 195	Fan Control Dial	1
FE62 61 195	Temperature Control Dial	1

**WARRANTY INFORMATION**

**Note:** This information applies to verified customer complaints on vehicles covered under normal warranty. Refer to the SRT microfiche for warranty term information.

Warranty Type	A
Symptom Code	89
Damage Code	9A
Part Number Main Cause	SEE PART(S) INFORMATION
Quantity	1
Operation Number / Labor Hours:	XX565XRX / 0.2