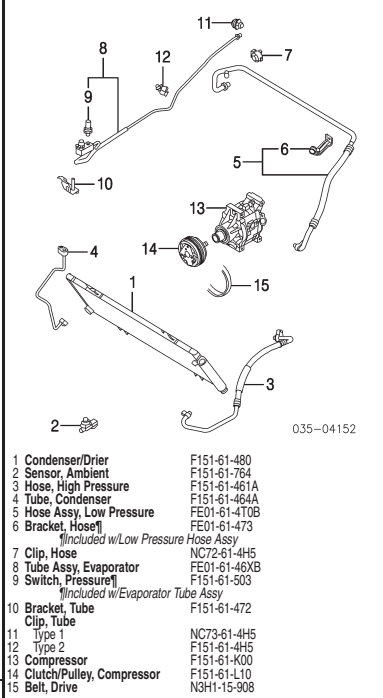


- 1 Cooler, Eng Oil L N3H1-14-700D
- 2 Bracket Assy, Upper Mounting L N3H1-14-770B
- 3 Spacer (2) L FE51-13-329
- 4 Bracket Assy, Lower Mounting L N3H1-14-780A
- 5 Grommet, Mtg L NF01-13-363
- 6 Spacer L NF01-13-364
- 7 Duct, Oil Cooler L N3H1-14-708C
- 8 Clip, Duct (3) L BC1D-56-145
- 9 Hose Assy, Cooler N3H1-14-830F
- 10 Grommet, Mtg NF01-13-363
- 11 Spacer NF01-13-364
- 12 Hose, Inlet N3H1-14-720B
- 13 Hose, Outlet N3H1-14-710A

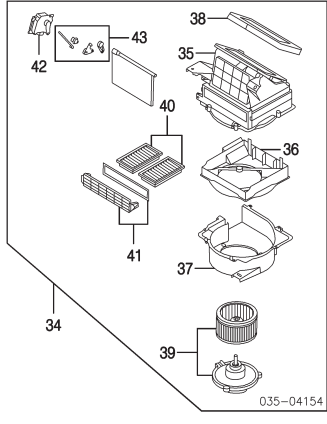
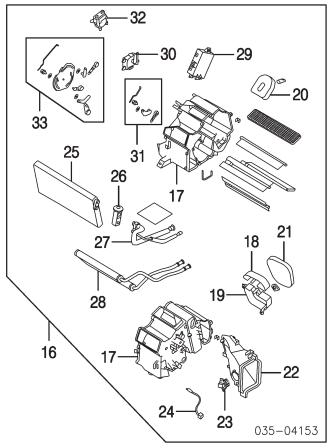
A/C REFRIGERANT CAPACITIES

A/C R-134a Refrigerant Capacity
2004: 14.8 Ozs (.33 Lbs)

A/C /HEATER/VENTILATION

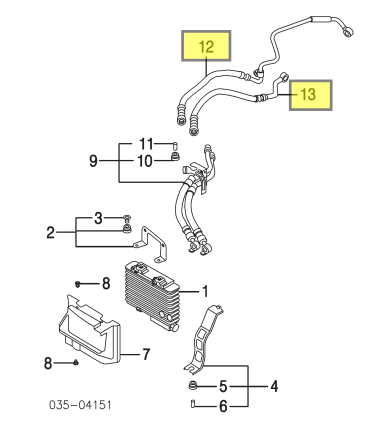


- 1 Condenser/Drier F151-61-480
- 2 Sensor, Ambient F151-61-764
- 3 Hose, High Pressure F151-61-461A
- 4 Tube, Condenser F151-61-464A
- 5 Hose Assy, Low Pressure FE01-61-4T0B
- 6 Bracket, Hose FE01-61-473
- 7 Clip, Hose NC72-61-4H5
- 8 Tube Assy, Evaporator FE01-61-46XB
- 9 Switch, Pressure F151-61-503
- 10 Bracket, Tube F151-61-472
- 11 Type 1 NC73-61-4H5
- 12 Type 2 F151-61-4B5
- 13 Compressor F151-61-K00
- 14 Clutch/Pulley, Compressor F151-61-L10
- 15 Belt, Drive N3H1-15-908



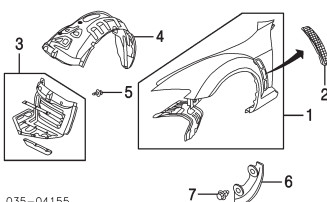
- 40 Filter, Blower LDY4-61-J6X
- 41 Cover, Filter F151-61-D25
- 42 Actuator, Recycle/Fresh FE01-61-B60
- 43 Link, Recycle/Fresh FE01-61-B20

AUTO TRANS



- Illustration Located in Next Column
- 16 A/C Heater Assy FE01-61-130E
 - 17 Case, A/C Heater Cover, Case R/L FE01-61-A01-2
 - 18 Upper FE01-61-A03
 - 19 Lower FE01-61-A04
 - 20 Seal, Upper Case F151-61-J31
 - 21 Seal, Lower Case FE01-61-J12
 - 22 Duct, Air R FE01-61-A07
 - 23 Resistor, Heater FE01-61-B15
 - 24 Sensor, Valve F151-61-J22A
 - 25 Core, Evaporator FE01-61-J10A
 - 26 Valve, Expansion F151-61-J14A
 - 27 Pipe, Evaporator FE01-61-46ZB
 - 28 Core, Heater FE01-61-A10
 - 29 Amplifier, Control FE01-61-540A
 - 30 Actuator, Temp FE01-61-A60
 - 31 Link, Temp FE01-61-A20
 - 32 Actuator, Mode FE01-61-A70
 - 33 Link, Mode FE01-61-A30
 - 34 Blower Assy FE01-61-140B
 - 35 Case, Upper Blower FE01-61-B01
 - 36 Case, Center FE01-61-B03
 - 37 Case, Lower Blower FE01-61-B02
 - 38 Seal, Case F152-61-J04
 - 39 Motor/Fan, Blower FE01-61-B10

FRONT FENDER



- 1 Fender, Front R F151-52-110
- 2 Grille, Fender L F151-52-210
- 3 Liner, Front Fender R F151-50-910A
- 4 Liner, Rear Fender L F151-50-920A
- 5 Clip, Liner (19/Side) R F151-56-13YB
- 6 Guard, Stone L F151-56-14YB
- 7 Clip, Stone Guard (2/Side) R/L F151-56-131A