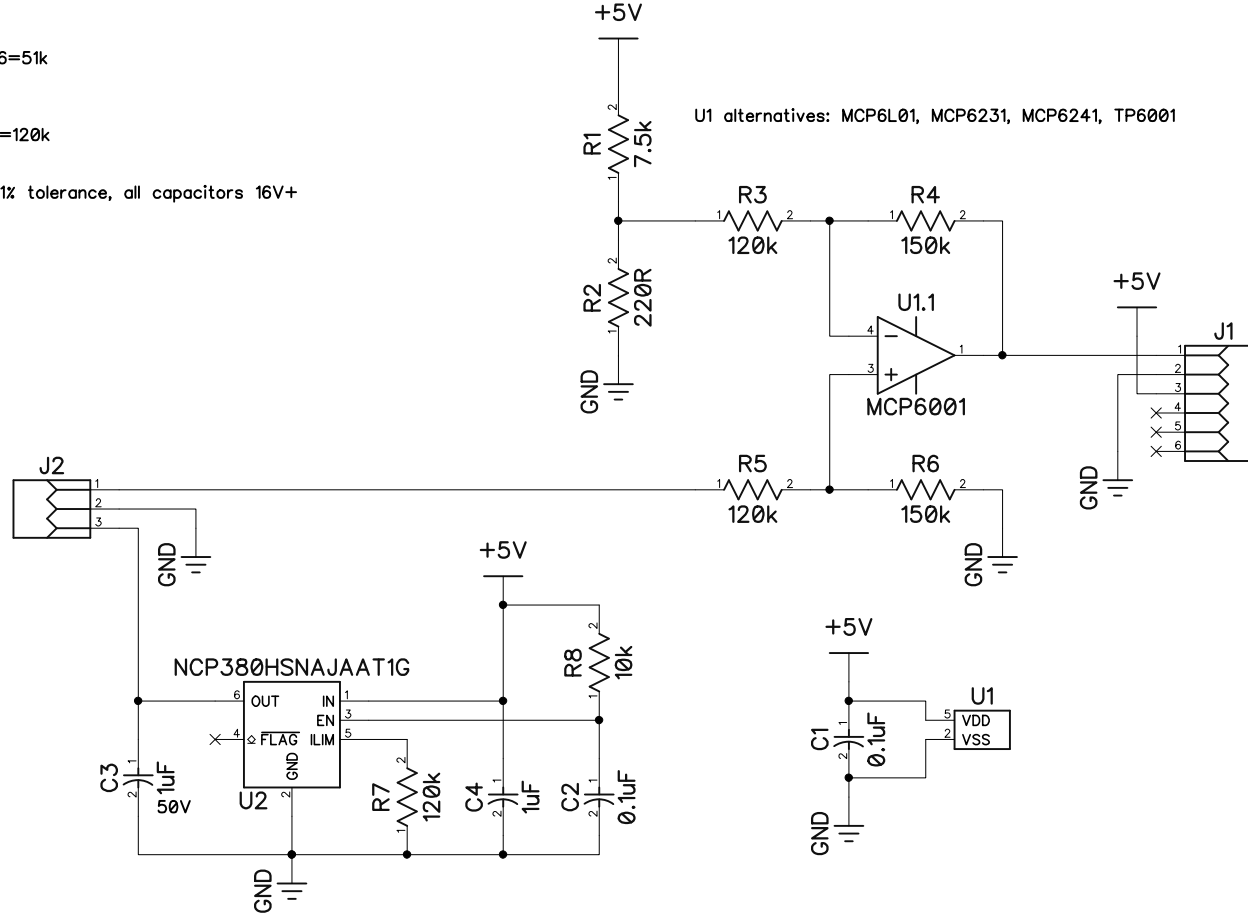


Scales output of external GM 3-Bar MAP sensor to match characteristic curve of MPX4250A

Adaptation to Bosch 3-Bar sensor:
R1=18k, R2=750R, R3&R5=39k, R4&R6=51k

Adaptation to GM 2-Bar sensor:
R1=DNP, R2=0R, R3&R5=150k, R4&R6=120k

Unless otherwise noted, all resistors 1% tolerance, all capacitors 16V+



U1 alternatives: MCP6L01, MCP6231, MCP6241, TP6001

R7 sets current limit of U2 output; approx. 60mA.
R8 & C2 provide 0.27ms delay (to reach 1.2V EN "high" level) for U2 turn-on.
U2 alternative: JW711SOTB (?)

Title		
GOODbox External MAP Sensor Adapter		
Sheet No.	Sheet Name	Rev
	Sheet 1	
2019-07-10		Drawn by
Boost Sensor Substitution - With Vref Protection - V2.dch		