

© 2013 Mazda Motor of America, Inc.

Subject: ATF-FZ REQUIRED FOR SKYACTIV DRIVE 6-SPEED AUTOMATIC TRANSAXLE	Bulletin No: 05-003/13
	Last Issued: 03/04/2013

BULLETIN NOTE

- This bulletin supersedes the previous bulletin 05-007/11 issued on 09/21/11. The APPLICABLE MODEL(S)/VINS have been revised.
- Changes are noted below in Red beside the change bar.

APPLICABLE MODEL(S)/VINS

2012-2013 Mazda3

2013-2014 CX-5

2014 Mazda6

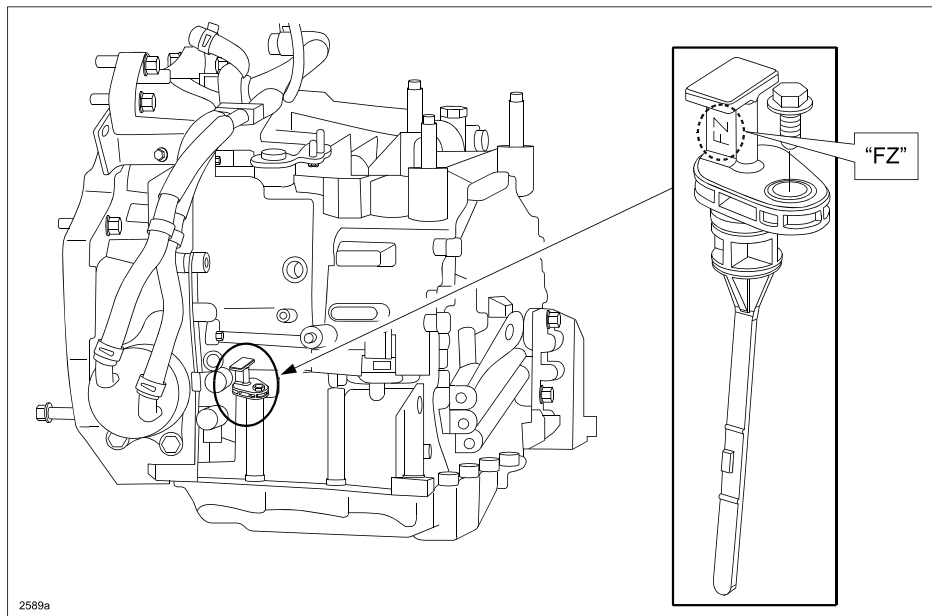
DESCRIPTION

The new SKYACTIV-DRIVE FW6A-EL AT uses “Automatic Transmission Fluid (ATF) Type: **FZ**”. **Only use “ATF-FZ” to fill or top off the fluid level.** ATF-FZ is specially designed for use in the SKYACTIV-DRIVE series AT. It is a low viscosity formula with less friction for better fuel economy.

NOTE: ATF-FZ is colored blue for easy identification.

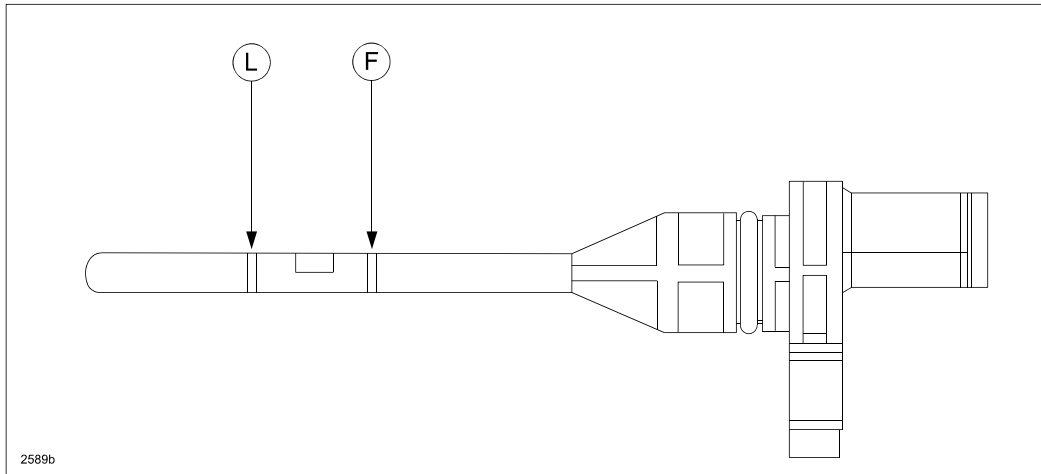
To check the fluid level, remove the bolt, then remove the dipstick. The dipstick is marked with a “FZ” on SKY-
ACTIV-DRIVE FW6A-EL AT. When finished, insert the dipstick and install the bolt.

Tightening torque: 8-10 N·m (82-101 kgf·cm, 71-88 in·lbf)



CONSUMER NOTICE: The information and instructions in this bulletin are intended for use by skilled technicians. Mazda technicians utilize the proper tools/equipment and take training to correctly and safely maintain Mazda vehicles. These instructions should not be performed by “do-it-yourselfers.” Customers should not assume this bulletin applies to their vehicle or that their vehicle will develop the described concern. To determine if the information applies, customers should contact their nearest authorized Mazda dealership. Mazda North American Operations reserves the right to alter the specifications and contents of this bulletin without obligation or advance notice. All rights reserved. No part of this bulletin may be reproduced in any form or by any means, electronic or mechanical---including photocopying and recording and the use of any kind of information storage and retrieval system ---without permission in writing.

The fluid level should be between the “L” and the “F” when the ATF is warm (at least 50 °C (122 °F)).



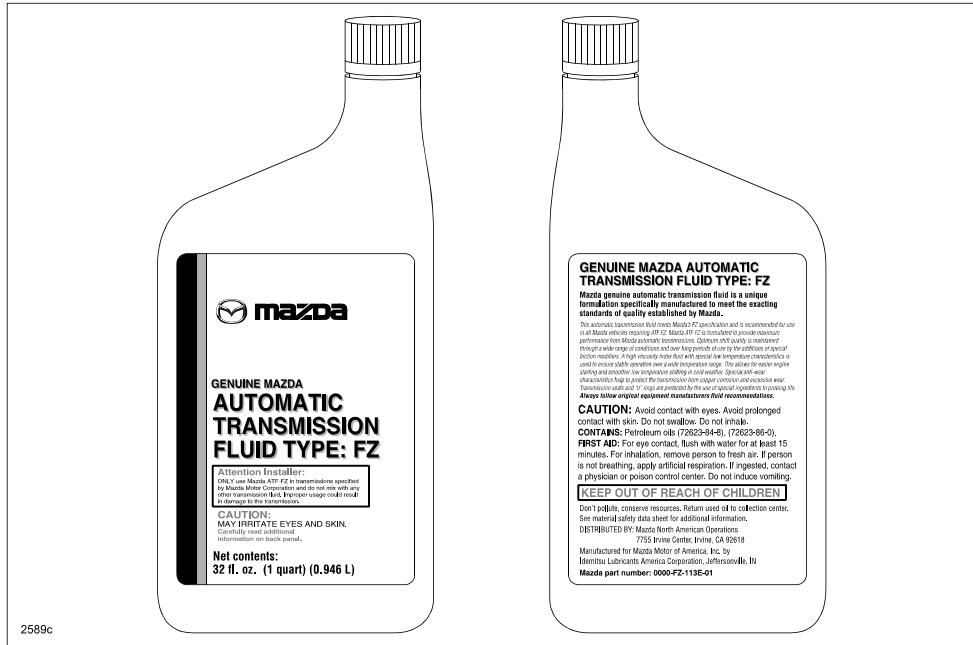
SKYACTIV-DRIVE FW6A-EL AT with “ATF-FZ” is “filled for life” (no change intervals for ATF required) and flushing is not recommended as part of service maintenance. There are no oil cooler lines and the replacement SKYACTIV-DRIVE FW6A-EL AT will come with a new oil cooler, which is mounted directly to the case. If repair or AT replacement is necessary, use only “ATF-FZ” to fill the AT.

CAUTION:

- ATF-FZ is designed **ONLY FOR** SKYACTIV-DRIVE series AT.
- If an ATF other than “ATF-FZ” is used in the SKYACTIV-DRIVE AT, the performance and reliability cannot be guaranteed. The resulting damage will not be covered by warranty.
- Use of ATF-FZ in non SKYACTIV-DRIVE ATs may result in serious internal damage that will not be covered by warranty

PART(S) INFORMATION

Description	Part Number	Qty.	Notes
ATF-FZ	0000-FZ-113E-01	1 quart	Available in 4 pack or 12 pack



mazda

**GENUINE MAZDA
 AUTOMATIC
 TRANSMISSION
 FLUID TYPE: FZ**

Attention Installer:
 ONLY use Mazda ATF-FZ in transmissions specified
 by Mazda Motor Corporation and do not mix with any
 other transmission fluid. Proper usage could result in
 damage to the transmission.

CAUTION:
 MAY IRRITATE EYES AND SKIN.
 Carefully wash additional
 information on back panel.

Net contents:
 32 fl. oz. (1 quart) (0.946 L)

**GENUINE MAZDA AUTOMATIC
 TRANSMISSION FLUID TYPE: FZ**

**Mazda genuine automatic transmission fluid is a unique
 formulation specifically manufactured to meet the exacting
 standards of quality established by Mazda.**

The automatic transmission fluid from Mazda is specifically formulated and is recommended for use
 in all Mazda vehicles requiring ATF-FZ. Mazda ATF-FZ is formulated to provide excellent
 performance from Mazda automatic transmissions. Different ATF fluids are formulated
 through a wide range of conditions and over long periods of use to the detriment of specific
 vehicle operation. A high quality motor fluid with special anti-oxidation characteristics is
 used to ensure stable operation over a wide temperature range. The additive for motor engine
 sludge and other contaminants is added to the motor fluid. Special anti-oxidation
 characteristics help to protect the transmission from copper corrosion and excessive wear.
 Transmission seals and O-rings are protected by the use of special ingredients to prevent leaks.
 Always follow original equipment manufacturer's fluid recommendations.

CAUTION: Avoid contact with eyes. Avoid prolonged
 contact with skin. Do not swallow. Do not inhale.
CONTAINS: Petroleum oils (7522-94-4), (7522-98-0).

FIRST AID: For eye contact, flush with water for at least 15
 minutes. For inhalation, remove person to fresh air. If person
 is not breathing, apply artificial respiration. If ingested, contact
 a physician or poison control center. Do not induce vomiting.

KEEP OUT OF REACH OF CHILDREN

Don't pollute, conserve resources. Return used oil to collection center.
 See material safety data sheet for additional information.
 DISTRIBUTED BY: Mazda North American Operations
 7755 Irvine Center, Irvine, CA 92618
 Manufactured for Mazda Motor of America, Inc. by
 Hamble Lubricants America Corporation, Jeffersonville, IN
 Mazda part number: 0000-FZ-113E-01