

# Service Information

Mazda Motor Corporation

3-1, Shintoshin, Fuchu-cho, Aki-gun  
Hiroshima 730-8670, Japan  
TEL : 81(82)287-5323  
FAX : 81(82)287-5220



Category <b>S</b>	<b>Technical</b>	Ref. No. E047/12	Page 1 of 4
Coverage <input type="checkbox"/> Distributor only <input checked="" type="checkbox"/> Please inform your dealers		Date Issued October 31, 2012	
Please convey this information to your <input type="checkbox"/> Director <input checked="" type="checkbox"/> General Manager <input checked="" type="checkbox"/> Warranty Dept. <input checked="" type="checkbox"/> Parts Dept. <input checked="" type="checkbox"/> Training Dept. <input checked="" type="checkbox"/> Field Rep.		Date Revised	
Applicable Model Mazda2(DE), Mazda3(BL), MX-5(NC) and Mazda5(CW)		Applicable Countries or Specifications Europe	

## Subject: Discontinuation of Tool (Jack and Wheel Brace)

### DESCRIPTION

The jack (all models) and wheel brace (some models) are discontinued, because the Instant mobility system (IMS) emergency flat tyre repair kit is installed instead of spare tyre.

For details, refer to the following.

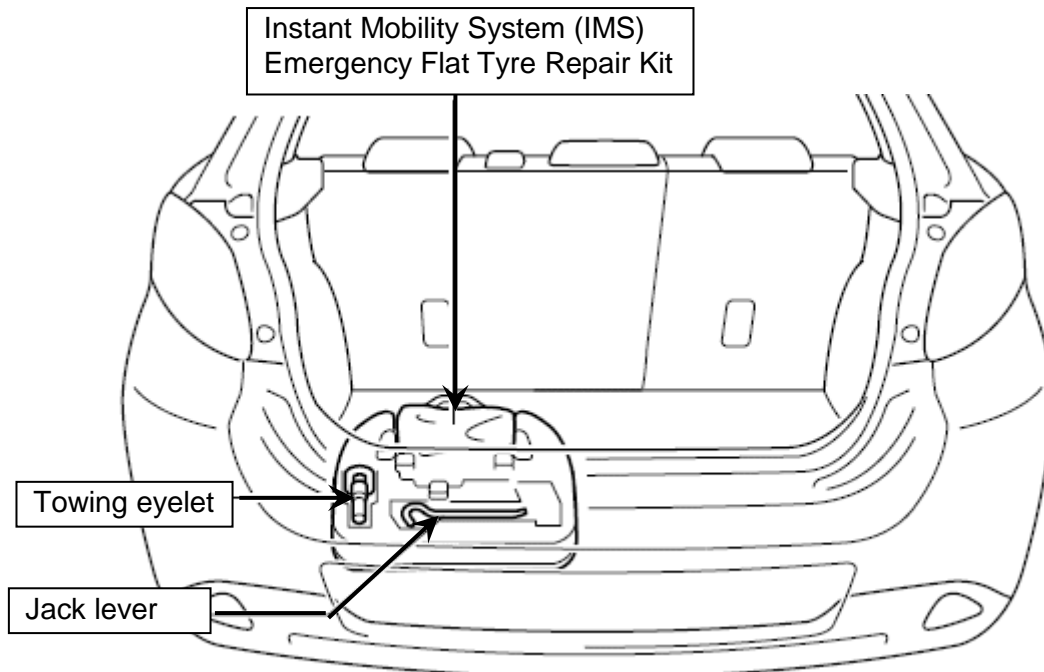
### MASS PRODUCTION CHANGE

**Mazda2 (DE): Discontinuation of Jack & wheel brace.**

#### **Beginning VIN & Date of Discontinuation**

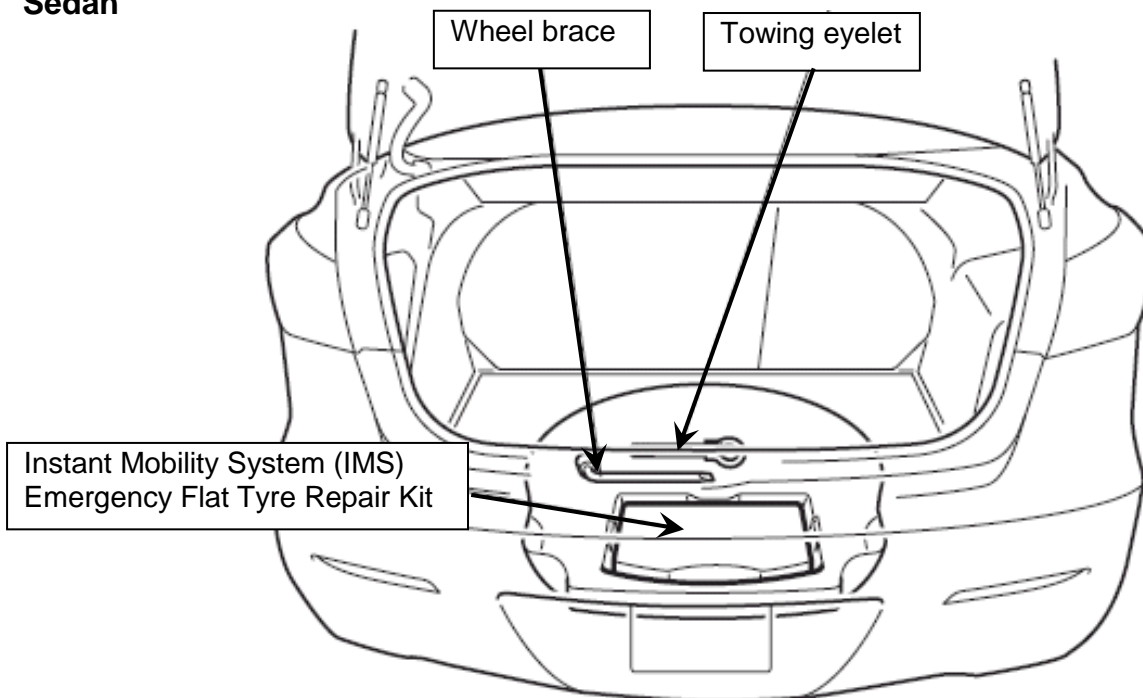
From JMZDE\*3\*\* \*\* 306801 July 01, 2012

From JMZDE\*4\*\* \*\* 471269 July 01, 2012



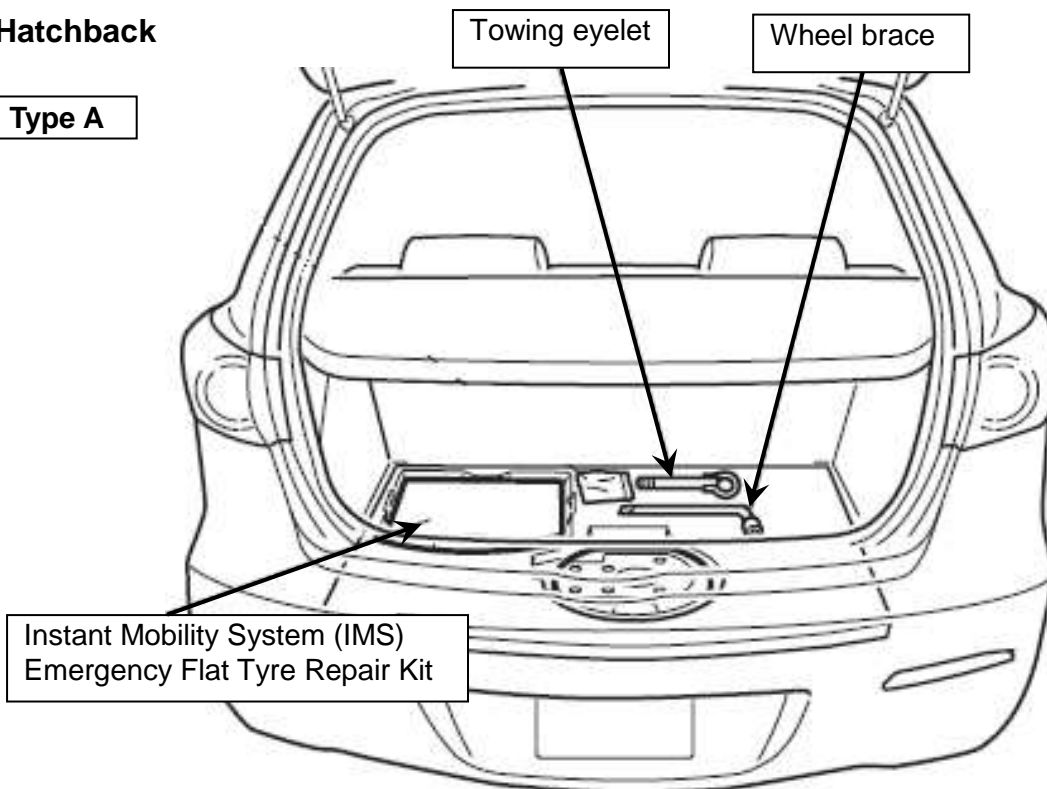
**Mazda3 (BL): Discontinuation of Jack.**  
**Beginning VIN & Date of Discontinuation**  
From JMZBL\*\*\*\* \*\* 542910 June 01, 2012.

**Sedan**

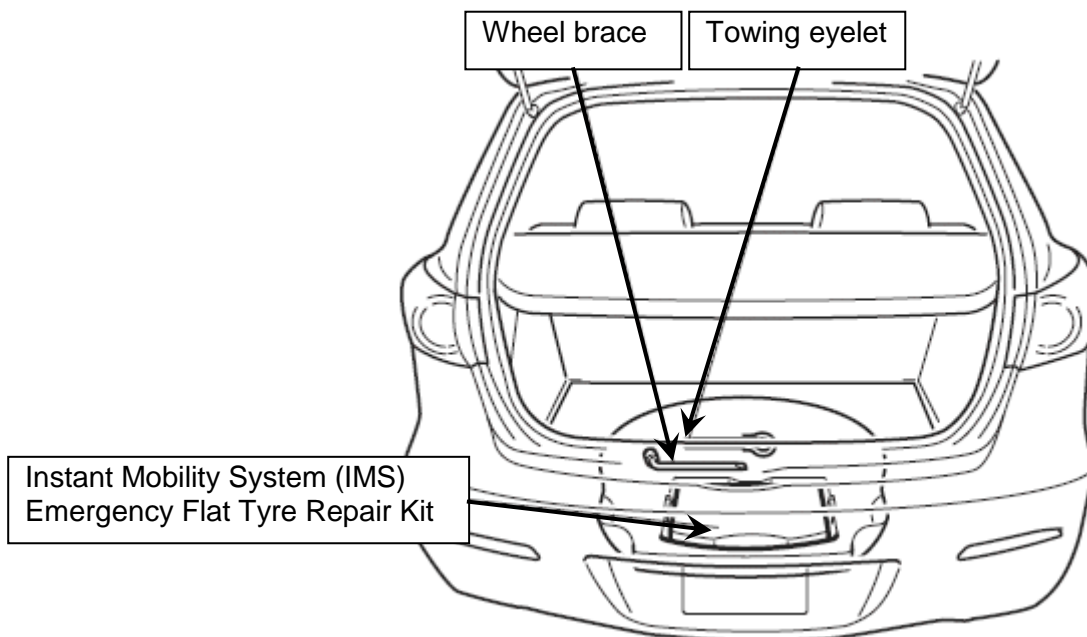


**Hatchback**

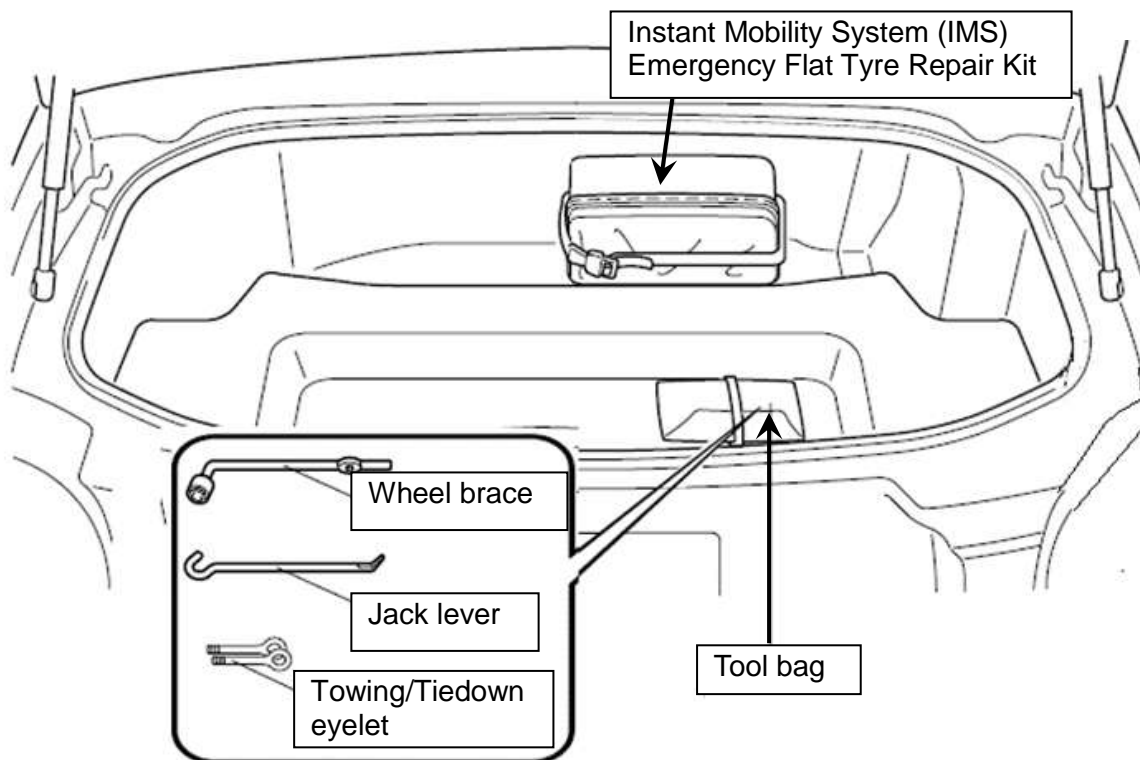
**Type A**



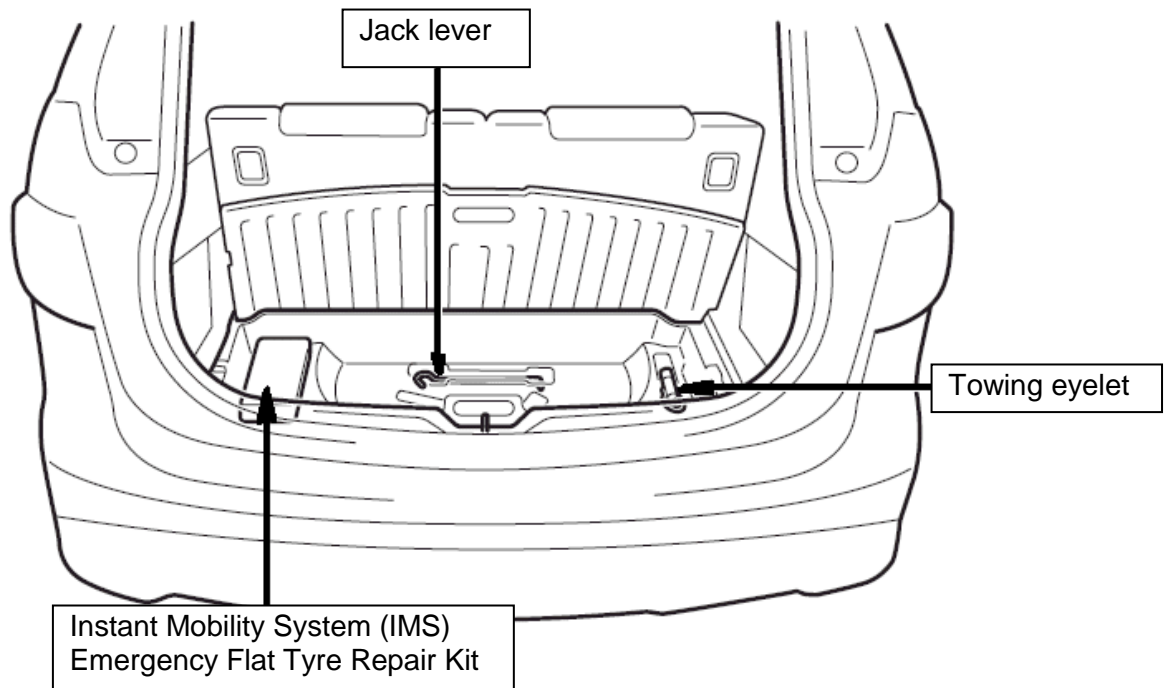
**Type B**



**MX-5 (NC): Discontinuation of Jack.**  
**Beginning VIN & Date of Discontinuation**  
From JMZN\*\*\*\* \*\* 266056 July 02, 2012



**Mazda5 (CW): Discontinuation of Jack & wheel brace.**  
***Beginning VIN & Date of Discontinuation***  
From JMZCW\*\*\*\* \*\* 139773 October 01, 2012



Mitsunori Tokunaga  
Manager, Technical Information Gr.  
Technical Service Dept.  
Mazda Motor Corporation  
2C92404305 (MC Internal Use)