

© 2012 Mazda Motor of America, Inc.

<b>Subject:</b> <b>ENGINE START / STOP PROCEDURE WITH ROOM FUSE REMOVED</b>	<b>Bulletin No:</b> 01-006/12
	<b>Last Issued:</b> 01/31/2012

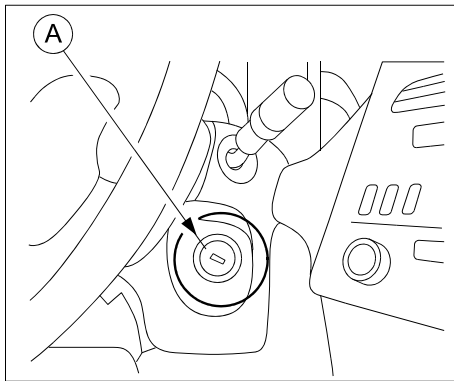
## APPLICABLE MODEL(S)/VINS

2013 CX-5

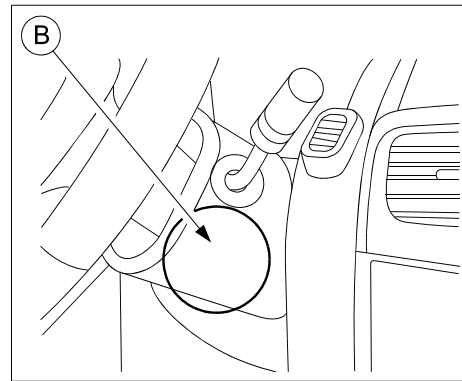
## DESCRIPTION

All CX-5 vehicles are equipped with a push button start/stop ignition system. Unlike some previous Mazda models (A), there is no key cylinder on the CX-5 steering column (B). Therefore, the engine cannot be started with the auxiliary key if the room fuse is removed or if the transmitter battery is dead.

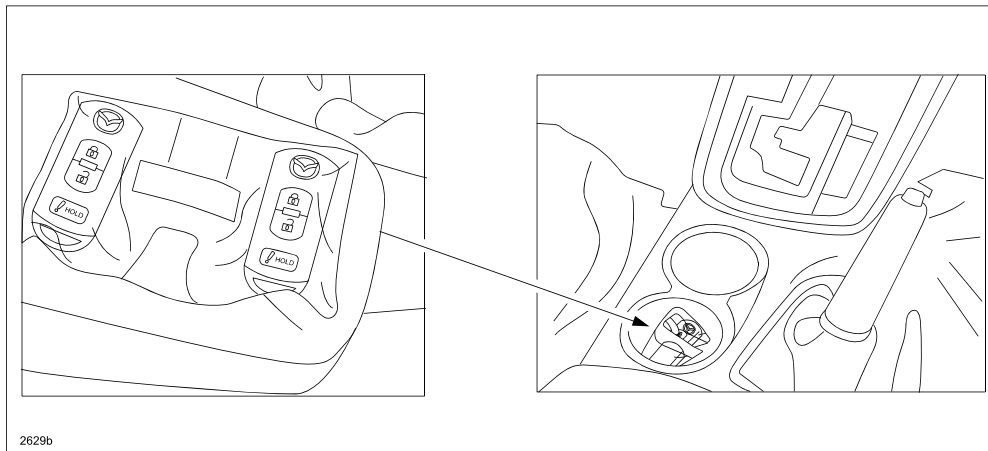
**NOTE:** The auxiliary key can only be used to lock or unlock the doors. It cannot be used to start the engine.



2629a



- Two transmitters are placed in a vinyl bag and stored in the center console cup holder.



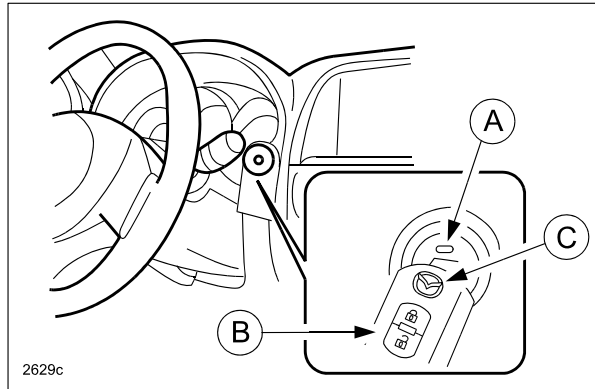
2629b

- Since the room fuse is not installed during vehicle assembly, a new procedure is required to start the engine. Refer to "Engine Start Procedure" below.

**CONSUMER NOTICE:** The information and instructions in this bulletin are intended for use by skilled technicians. Mazda technicians utilize the proper tools/equipment and take training to correctly and safely maintain Mazda vehicles. These instructions should not be performed by "do-it-yourselfers." Customers should not assume this bulletin applies to their vehicle or that their vehicle will develop the described concern. To determine if the information applies, customers should contact their nearest authorized Mazda dealership. Mazda North American Operations reserves the right to alter the specifications and contents of this bulletin without obligation or advance notice. All rights reserved. No part of this bulletin may be reproduced in any form or by any means, electronic or mechanical---including photocopying and recording and the use of any kind of information storage and retrieval system ---without permission in writing.

## Engine Start Procedure

1. Depress the brake pedal (ATX) or fully depress the clutch pedal (MTX).
2. Verify the START/STOP push button indicator light (A) flashes green.
3. Touch the START/STOP push button with the backside of the transmitter (B) with the Mazda ornament (C) facing upward (as shown below), while the push button indicator light is flashing green.



4. After the START/STOP push button indicator light changes to a constant green illumination, press the START/STOP push button with your finger to start the engine.

## Engine Stop Procedure

1. Stop the vehicle completely.
2. Place the shift lever in Park position (ATX) or shift into neutral (MTX).
3. Press the START/STOP push button to turn the engine off. The ignition is now in the OFF position.

### START/STOP Push Button Positions

Each time the START/STOP push button is pressed (without the brake pedal / clutch pedal depressed), the ignition switches through these positions:

OFF->ACC->ON->OFF

**CAUTION:** When leaving the vehicle, make sure that the START/STOP push button indicator light (A) is off. If the indicator light is on (B) (amber), the system is still in the ACC or ON position.

